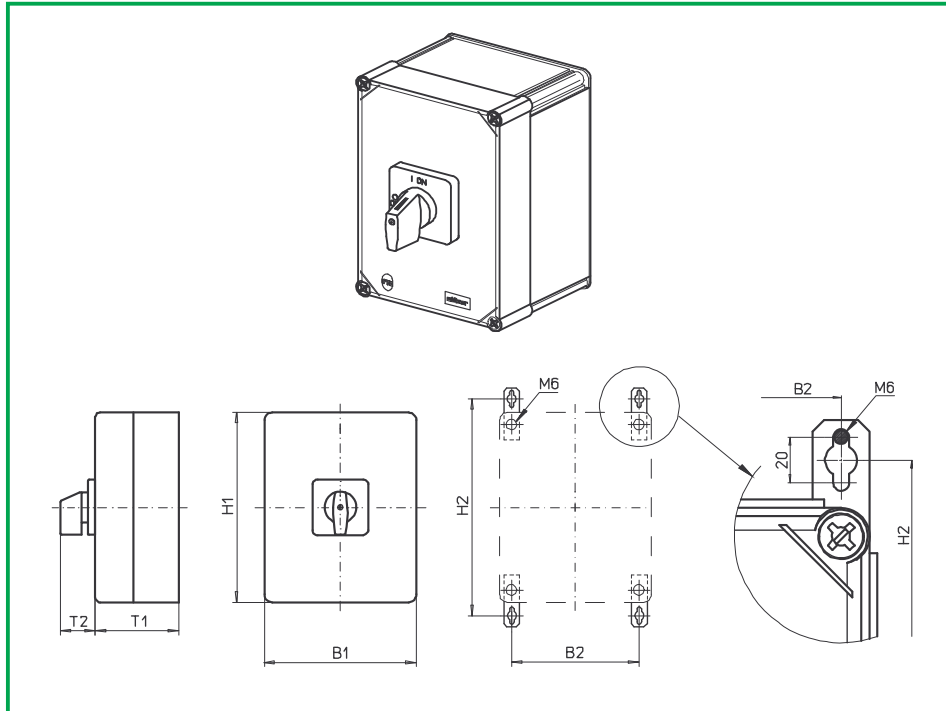


Enclosed Switches



Product lines
H400-D/ E

Enclosed switches

Insulated enclosure
440 x 320 x 180 mm

With cover interlock
in ON position

Cable entries
Gland plates

576M1 (IP66)
578M1 (IP66)

Complete switch	Poles	Product line	Rated data (IEC 60947)			Order code number
			Operational current I _e	Operational power at 380–440 V		
			AC-21A A	AC-23A kW	AC-3 kW	
ON-OFF Switches Switching angle 90°	6 ... 8	H400-D	63	22	18,5	H406 - 41 ... - 578M1
			80	30	22	H408 - 41 ... - 578M1
			100	37	30	H410 - 41 ... - 578M1
			125	45	37	H412 - 41 ... - 578M1
Changeover with OFF Switching angle 90°	3 ... 4	H400-E	63	22	18,5	H406 - 71 ... - 576M1
			80	30	22	H408 - 71 ... - 576M1
			100	37	30	H410 - 71 ... - 576M1
			125	45	37	H412 - 71 ... - 576M1

SMD modules for basic switch A02		
Mounting form module (switch module ED)	H400-D	BFB4 - ED
Mounting form module (switch module ED)	H400-E	BFC4 - ED
Enclosure module, mounting form 578M1	H400-D	PAH4 - 578M1
Enclosure module, mounting form 576M1	H400-E	PAH4 - 576M1
Legend plate silver, enclosure module 576M1/ 578M1		FAS6 - 9 ... (FA number)
Mounting brackets are part of delivery capacity		

Dimensions (mm)						
Product lines	H1	B1	T1	T2	H2	B2
H400-D	440	320	180	52	480	293
H400-E	440	320	180	52	480	293