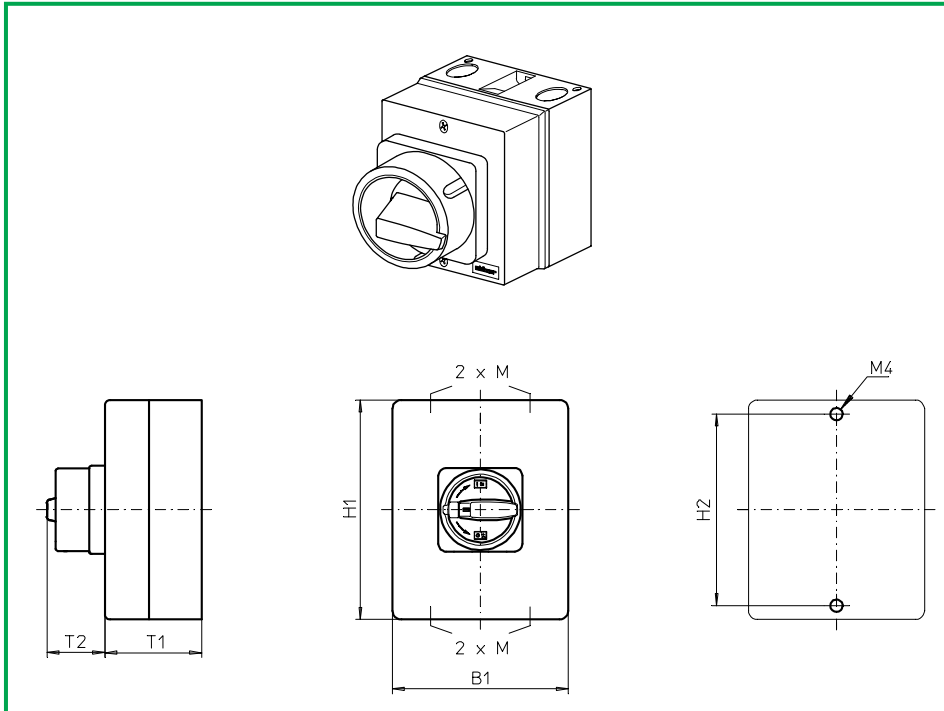


Enclosed Switches

sälzer



Product line
M200

Enclosed Switches

Insulated enclosure
100 x 80 x 65 mm

Cable entries
4 x M20

077M1 (IP66)
077M4 (IP66)

Complete switch	Poles	Product line	Rated data (IEC 60947)			Order code number
			Operational current I _e	Operational power at 380–440 V		
			AC-21A A	AC-23A kW	AC-3 kW	
Main Switches OFF position padlockable 09h	1 ... 4	M200	20	7,5	5,5	M220 - 61 ... - 077M1
Main/Emergency-Off Switches OFF position padlockable 09h	1 ... 4	M200	20	7,5	5,5	M220 - 61 ... - 077M4
SMD modules for basic switch						
Mounting form module for 077M., 1 contact stage			M220			BFE2 - EA
Mounting form module for 077M., 2 contact stages			M220			BFF2 - EA
Enclosure module, mounting form 077M1						PAM2 - 077M1
Enclosure module, mounting form 077M4						PAM2 - 077M4
Dimensions (mm)						
Product line	H1	B1	T1	T2	2xM	H2
M220	100	80	65	38	20	90