



## Mounting Form Table

**K616**  
**160 A**

### Section

<b>Front Mounting Switches</b>	<b>A</b>
<b>Base Mounting Switches</b>	<b>B</b>
<b>Enclosed Switches</b>	<b>C</b>
<b>Accessories</b>	<b>D</b>

Sälzer Electric GmbH  
Matthiasstraße 16  
57482 Wenden (Germany)  
[www.saelzer.com](http://www.saelzer.com)

Headquarters:  
Tel. +49 (0) 27 62 / 6 14-110  
Fax +49 (0) 27 62 / 6 14-100  
[sales@salzer.de](mailto:sales@salzer.de)

---

**Originator: Sälzer Electric GmbH · Product Data Management (PDM) · 09306 Rochlitz (Germany)**  
Copyright reserved by Sälzer Electric GmbH. This document replaces all previous issues.  
Valid until a new version is published. Changes and revisions reserved.

# Mounting Form Table



Mtg. form	Pages	Mtg. form	Pages	Mtg. form	Pages	Mtg. form	Pages
003G1	A1-1 (4)	034M1	B1-1 (13)	077H4	C1-1 (21)	FAZ2-....	D1-1 (27)
003H1	A1-3 (6)	034M4	B1-1 (13)	176H1	C1-3 (23)		
004H1	A1-3 (6)	034N1	B1-2 (14)	177H1	C1-2 (22)		
013G1	A1-2 (5)	034N4	B1-2 (14)	177H4	C1-2 (22)		
013H1	A1-4 (7)	034H1	B1-3 (15)	187H1	C2-1 (24)		
014H1	A1-4 (7)	034H4	B1-3 (15)	186H1	C2-2 (25)		
033M1	A1-5 (8)	036H1	A1-8 (11)	187H4	C2-1 (24)		
033M4	A1-5 (8)	036H4	A1-8 (11)	483H1	B3-1 (18)		
033N1	A1-6 (9)	042G1	B1-4 (16)	483H4	B2-1 (18)		
033N4	A1-6 (9)	042H1	B1-5 (17)	484H1	B2-2 (19)		
033H1	A1-7 (10)	043H1	B2-2 (17)	FAS2-....	D1-2 (28)		
033H4	A1-7 (10)	077H1	C1-1 (21)	FBS2-....	D1-2 (28)		



## Section A

Page  
from to

**Four hole mounting**

**A1-1**

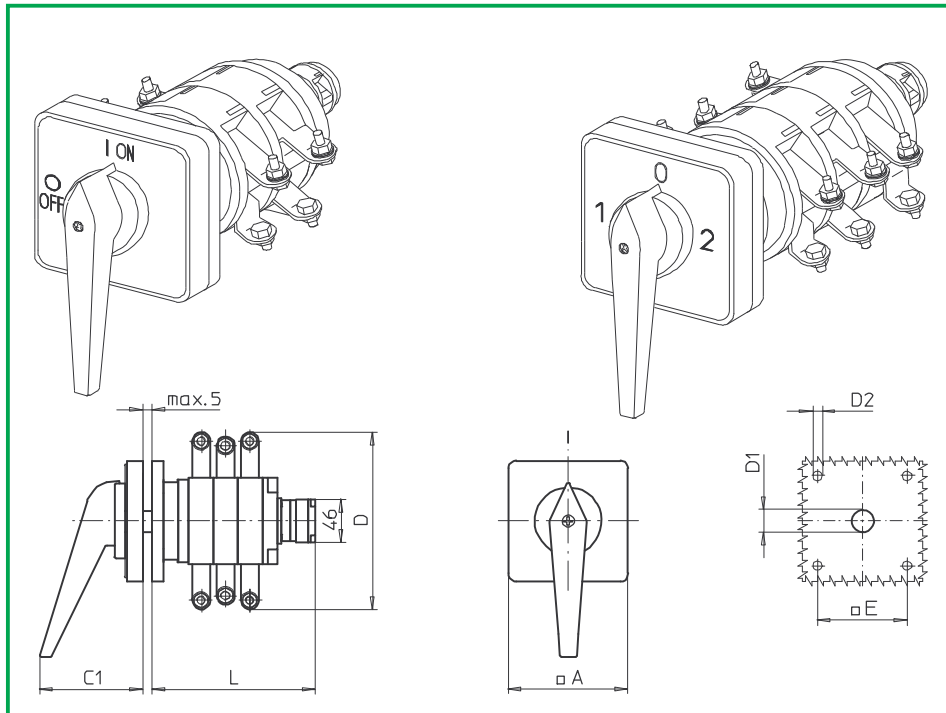
**A1-8**

---

**Originator: Sälzer Electric GmbH · Product Data Management (PDM) · 09306 Rochlitz (Germany)**  
Copyright reserved by Sälzer Electric GmbH. This document replaces all previous issues.  
Valid until a new version is published. Changes and revisions reserved.

# Front Mounting Switches

# sälzer



**Product line  
K616**

**Front mounting switch**

**Four hole mounting**  
68 x 68 mm

**003G1 (IP55)**

Complete Switch	Poles	Product lines	Rated Data (IEC 60947)			Order Code Number
			Operational current I <sub>e</sub>	Operational power at 380–440V		
			AC-21A A	AC-23A kW	AC-3 kW	
ON-OFF Switches Switching angle 90° Starting position of the handle 09h	3 ... 8	K616	160	75	45	<b>K616 - 41 ... - 003G1</b>
Changeover with OFF Switching angle 90° Starting position of the handle 12h	3 ... 4	K616	160	75	45	<b>K616 - 71 ... - 003G1</b>

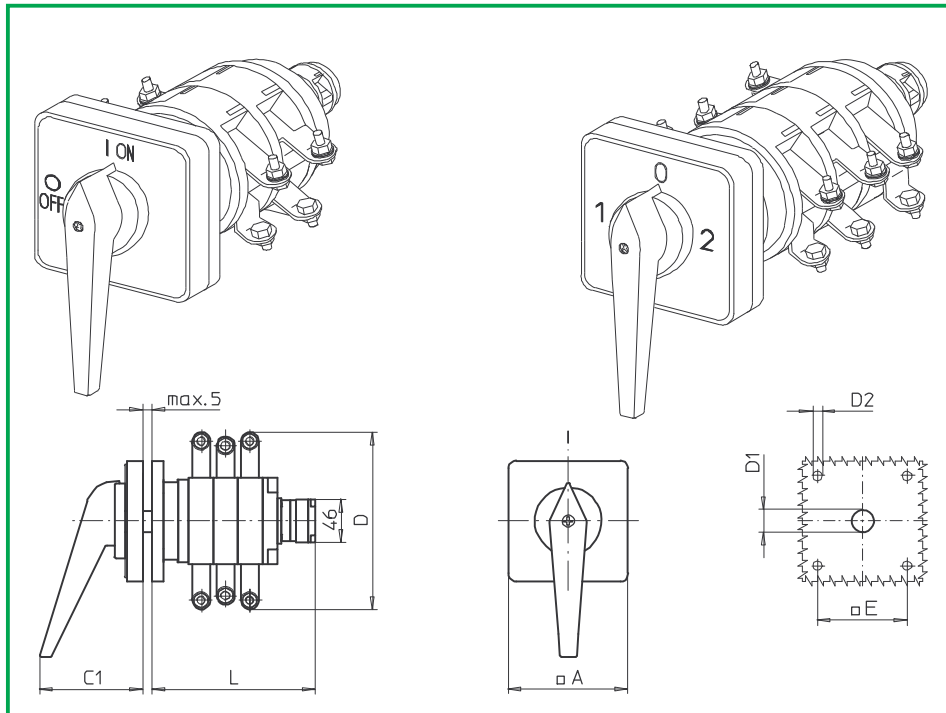
SMD modules for basic switch	(GA A01)		
Mounting form module for 003G1		K616	<b>BFA6 - 003</b>
G-operator module 88 x 88 mm, mounting form 003G1 Escutcheon black, handle black; Starting position of the handle 09h			<b>6AG1</b>
G-operator module 88 x 88 mm, mounting form 003G1 Escutcheon black, handle black; Starting position of the handle 12h			<b>6BG1</b>
Legend plate silver, operator module 003G1			<b>FAS6 - .... (FA number)</b>

Dimensions (mm)								
Product line	A	C1	D*	D1	D2	E	Switching programmes <sup>1)</sup>	L
K616	88	66	150	20	5,5	68	41300, 41400 41600, <b>71300</b> 41311, 41320 41411, 41420 41800, <b>71400</b> 41611, 41620 <b>71311, 71320</b>	104 136 142 142 168 174 184

\* Terminal lugs included  
<sup>1)</sup> Examples, other switching programmes on request

# Front Mounting Switches

# sälzer



**Product line  
K616**

**Front mounting switch**  
Operator module of next size

**Four hole mounting**  
104 x 104 mm

**013G1 (IP55)**

Complete Switch	Poles	Product lines	Rated Data (IEC 60947)			Order Code Number
			Operational current $I_e$	Operational power at 380–440V		
			AC-21A A	AC-23A kW	AC-3 kW	
ON-OFF Switches Switching angle 90° Starting position of the handle 09h	3 ... 8	K616	160	75	45	<b>K616 - 41 ... - 013G1</b>
Changeover with OFF Switching angle 90° Starting position of the handle 12h	3 ... 4	K616	160	75	45	<b>K616 - 71 ... - 013G1</b>

SMD modules for basic switch	(GA A11)		
Mounting form module for 013G1		K616	<b>BFA6 - 013</b>
G-operator module 130 x 130 mm, mounting form 013G1 Escutcheon black, handle black; Starting position of the handle 09h			<b>8CG1</b>
G-operator module 130 x 130 mm, mounting form 013G1 Escutcheon black, handle black; Starting position of the handle 12h			<b>8DG1</b>
Legend plate silver, operator module 013G1			<b>FAS8 - .... (FA number)</b>

Dimensions (mm)								
Product line	A	C1	D*	D1	D2	E	Switching programmes <sup>1)</sup>	L
K616	130	74	150	20	5,5	104	41300, 41400	104
							41600, <b>71300</b>	136
							41311, 41320	142
							41411, 41420	142
							41800, <b>71400</b>	168
							41611, 41620	174
							<b>71311, 71320</b>	184

\* Terminal lugs included

<sup>1)</sup> Examples, other switching programmes on request

# Front Mounting Switches

# sälzer

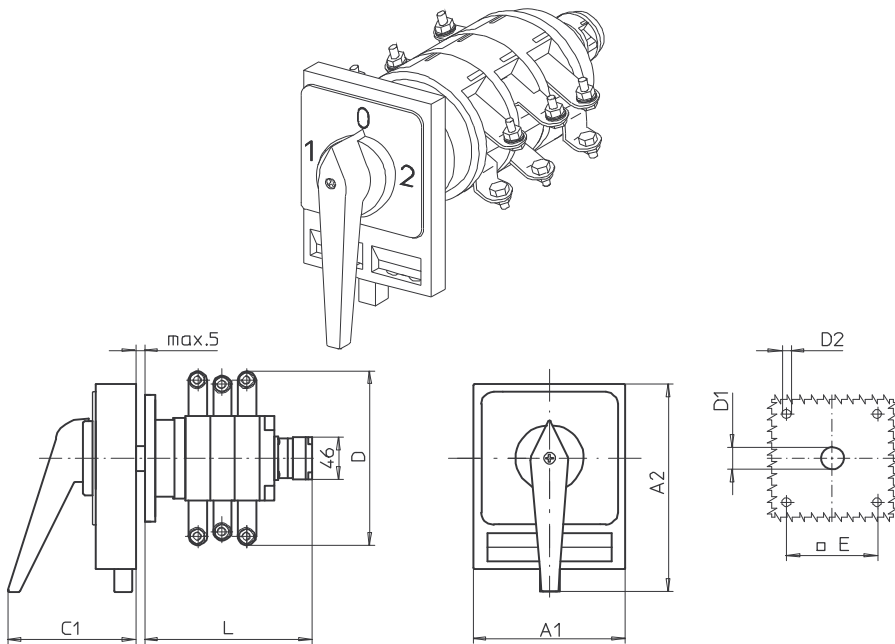
**Product line  
K616**

**Front mounting switch**

**Four hole mounting**  
68 x 68 mm

**003H1 (IP55)**

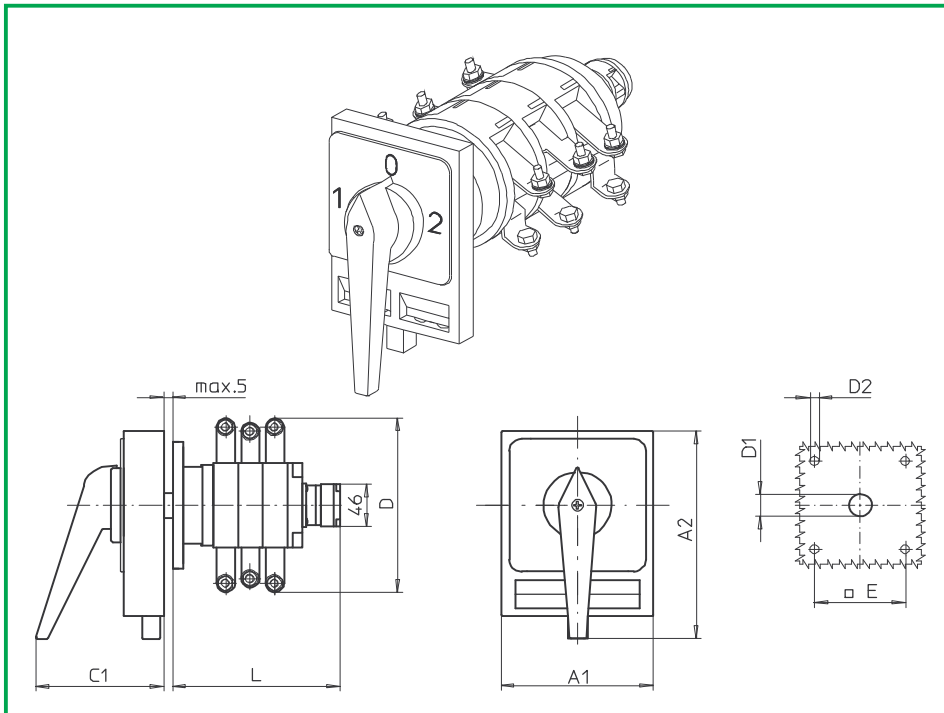
**004H1 (IP55)**



Complete Switch	Poles	Product lines	Rated Data (IEC 60947)			Order Code Number			
			Operational current I <sub>e</sub> AC-21A A	Operational power at 380–440V AC-23A kW	AC-3 kW				
Changeover with OFF Switching angle 90° OFF position padlockable 12h	3 ... 4	K616	160	75	45	<b>K616 - 71 ... - 003H1</b>			
Changeover with OFF Switching angle 90° 3 positions padlockable (09h/12h/03h)	3 ... 4	K616	160	75	45	<b>K616 - 71 ... - 004H1</b>			
<b>SMD modules for basic switch</b>		(GA A01)							
Mounting form module for 003H1/ 004H1			K616			<b>BFA6 - 003</b>			
H-operator module 100 x 125 mm, mounting form 003H1 Padlock device black, H-handle black						<b>6EH1 - 12</b>			
H-operator module 100 x 125 mm, mounting form 004H1 Padlock device black, H-handle black						<b>6EH1 - 99</b>			
Legend plate silver, operator module 003H1/ 004H1						<b>FAS6 - .... (FA number)</b>			
<b>Dimensions (mm)</b>									
<b>Product line</b>	<b>A1</b>	<b>A2</b>	<b>C1</b>	<b>D*</b>	<b>D1</b>	<b>D2</b>	<b>E</b>	<b>Switching programmes <sup>1)</sup></b>	<b>L</b>
K616	98	142	83	150	20	5,5	68	71300 71311, 71320 71400	136 184 168
* Terminal lugs included									
<sup>1)</sup> Examples, other switching programmes on request									

# Front Mounting Switches

# sälzer



**Product line**  
**K616**

**Front mounting switch**  
Operator module of next size

**Four hole mounting**  
104 x 104 mm

**013H1 (IP55)**  
**014H1 (IP55)**

Complete Switch	Poles	Product lines	Rated Data (IEC 60947)			Order Code Number
			Operational current I <sub>e</sub>	Operational power at 380–440V		
			AC-21A A	AC-23A kW	AC-3 kW	
Changeover with OFF Switching angle 90° OFF position padlockable 12h	3 ... 4	K616	160	75	45	<b>K616 - 71 ... - 013H1</b>
Changeover with OFF Switching angle 90° 3 positions padlockable (09h/12h/03h)	3 ... 4	K616	160	75	45	<b>K616 - 71 ... - 014H1</b>

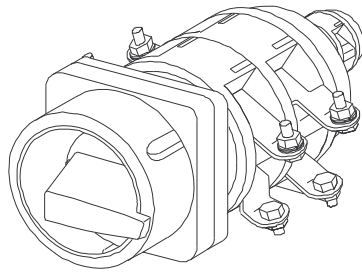
SMD modules for basic switch	(GA A11)		
Mounting form module for 013H1/ 014H1		K616	<b>BFA6 - 013</b>
H-operator module 130 x 150 mm, mounting form 013H1 Padlock device black, H-handle black			<b>8BH1 - 12</b>
H-operator module 130 x 150 mm, mounting form 014H1 Padlock device black, H-handle black			<b>8BH1 - 99</b>
Legend plate silver, operator module 013H1/ 014H1			<b>FAS8 - .... (FA number)</b>

Dimensions (mm)									
Product line	A1	A2	C1	D*	D1	D2	E	Switching programmes <sup>1)</sup>	L
K616	130	176	93	150	20	5,5	104	71300	136
								71311, 71320	184
								71400	168

\* Terminal lugs included  
<sup>1)</sup> Examples, other switching programmes on request

# Front Mounting Switches

# sälzer

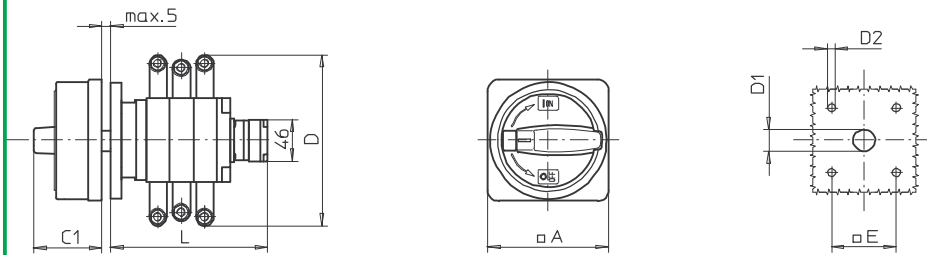


**Product line  
K616**

**Front mounting switch**

**Four hole mounting**  
68 x 68 mm

**033M1 (IP55)**  
**033M4 (IP55)**

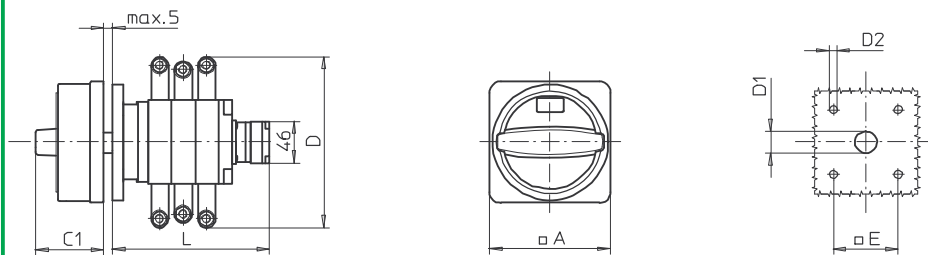
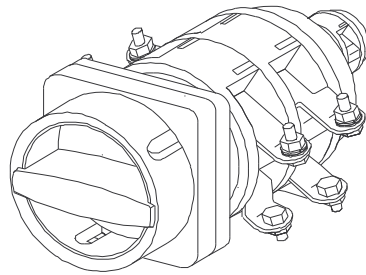


Complete Switch	Poles	Product lines	Rated Data (IEC 60947)			Order Code Number		
			Operational current I <sub>e</sub>	Operational power at 380–440V				
			AC-21A A	AC-23A kW	AC-3 kW			
ON-OFF Switches Switching angle 90° OFF position padlockable 09h	3 ... 8	K616	160	75	45	<b>K616 - 41 ... - 033M1</b>		
Main/Emergency-Off Switches Switching angle 90° OFF position padlockable 09h	3 ... 8	K616	160	75	45	<b>K616 - 41 ... - 033M4</b>		
<b>SMD modules for basic switch</b> Mounting form module for 033M. M-Padlock device 88 x 88 mm, mounting form 033M1 Escutcheon black, padlockable handle black	(GA A01)		K616			<b>BFA6 - 003 6KM1</b>		
M-Padlock device 88 x 88 mm, mounting form 033M4 Escutcheon yellow, padlockable handle red						<b>6KM4</b>		
<b>Dimensions (mm)</b>								
<b>Product line</b>	<b>A</b>	<b>C1</b>	<b>D*</b>	<b>D1</b>	<b>D2</b>	<b>E</b>	<b>Switching programmes <sup>1)</sup></b>	<b>L</b>
K616	88	50	150	20	5,5	68	41300, 41400 41600 41311, 41320 41411, 41420 41800, 41611, 41620	104 136 142 142 168 174
* Terminal lugs included								
<sup>1)</sup> Examples, other switching programmes on request								



# Front Mounting Switches

**sälzer**



**Product line  
K616**

**Front mounting switch**

**Four hole mounting  
68 x 68 mm**

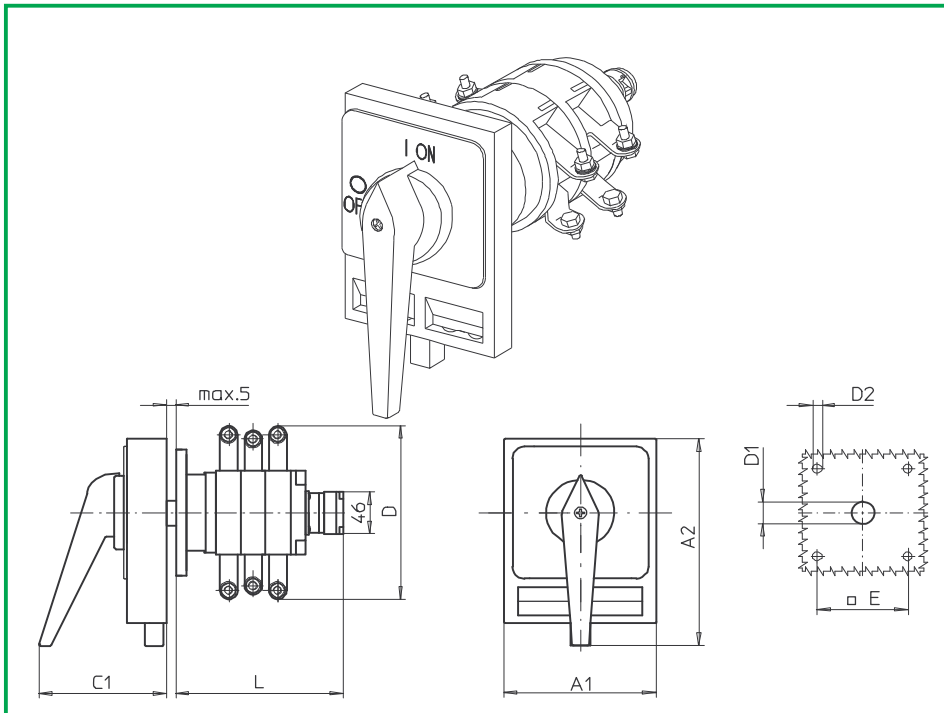
**033N1 (IP55)**

**033N4 (IP55)**

Complete Switch	Poles	Product lines	Rated Data (IEC 60947)			Order Code Number		
			Operational current I <sub>e</sub> AC-21A A	Operational power at 380–440V AC-23A kW	AC-3 kW			
ON-OFF Switches Switching angle 90° OFF position padlockable 09h	3 ... 8	K616	160	75	45	<b>K616 - 41 ... - 033N1</b>		
Main/Emergency-Off Switches Switching angle 90° OFF position padlockable 09h	3 ... 8	K616	160	75	45	<b>K616 - 41 ... - 033N4</b>		
<b>SMD modules for basic switch</b> Mounting form module for 033N. N-Padlock device 88 x 88 mm, mounting form 033N1 Escutcheon black, padlockable handle black	(GA A01)		K616			<b>BFA6 - 003 6KN1</b>		
N-Padlock device 88 x 88 mm, mounting form 033N4 Escutcheon yellow, padlockable handle red						<b>6KN4</b>		
<b>Dimensions (mm)</b>								
<b>Product line</b>	<b>A</b>	<b>C1</b>	<b>D*</b>	<b>D1</b>	<b>D2</b>	<b>E</b>	<b>Switching programmes <sup>1)</sup></b>	<b>L</b>
K616	88	45	150	20	5,5	68	41300, 41400 41600 41311, 41320 41411, 41420 41800, 41611, 41620	104 136 142 142 168 174
* Terminal lugs included								
<sup>1)</sup> Examples, other switching programmes on request								

# Front Mounting Switches

# sälzer



**Product line  
K616**

**Front mounting switch**

**Four hole mounting**  
68 x 68 mm

**033H1 (IP55)**  
**033H4 (IP55)**

Complete Switch	Poles	Product lines	Rated Data (IEC 60947)			Order Code Number
			Operational current I <sub>e</sub>	Operational power at 380–440V		
			AC-21A A	AC-23A kW	AC-3 kW	
Main Switches Switching angle 90° OFF position padlockable 09h	3 ... 8	K616	160	75	45	<b>K616 - 41 ... - 033H1</b>
Main/Emergency-Off Switches Switching angle 90° OFF position padlockable 09h	3 ... 8	K616	160	75	45	<b>K616 - 41 ... - 033H4</b>

SMD modules for basic switch	(GA A01)		
Mounting form module for 033H.		K616	<b>BFA6 - 003</b>
H-operator module 100 x 125 mm, mounting form 033H1 Padlock device black, H-handle black			<b>6CH1 - 09</b>
H-operator module 100 x 125 mm, mounting form 033H4 Padlock device black, H-handle red			<b>6CH4 - 09</b>
Legend plate silver, operator module 033H1			<b>FAS6 - .... (FA number)</b>
Legend plate yellow, operator module 033H4			<b>FBS6 - .... (FA number)</b>

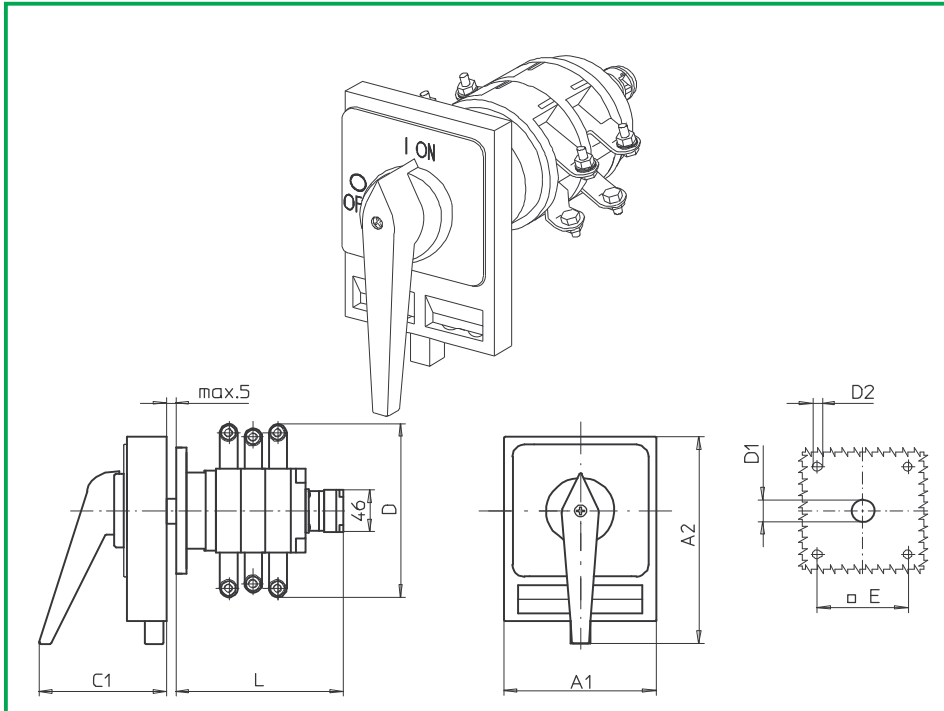
Dimensions (mm)									
Product line	A1	A2	C1	D*	D1	D2	E	Switching programmes <sup>1)</sup>	L
K616	98	142	83	150	20	5,5	68	41300, 41400	104
								41600	136
								41311, 41320	142
								41411, 41420	142
								41800,	168
								41611, 41620	174

\* Terminal lugs included

<sup>1)</sup> Examples, other switching programmes on request

# Front Mounting Switches

# sälzer



**Product line  
K616**

**Front mounting switch**  
Operator module of next size

**Four hole mounting**  
104 x 104 mm

**036H1 (IP55)**  
**036H4 (IP55)**

Complete Switch	Poles	Product lines	Rated Data (IEC 60947)			Order Code Number
			Operational current I <sub>e</sub>	Operational power at 380–440V		
			AC-21A A	AC-23A kW	AC-3 kW	
Main Switches Switching angle 90° OFF position padlockable 09h	3 ... 8	K616	160	75	45	<b>K616 - 41 ... - 036H1</b>
Main/Emergency-Off Switches Switching angle 90° OFF position padlockable 09h	3 ... 8	K616	160	75	45	<b>K616 - 41 ... - 036H4</b>

SMD modules for basic switch	(GA A11)		
Mounting form module for 036H.		K616	<b>BFA6 - 013</b>
H-operator module 130 x 150 mm, mounting form 036H1 Padlock device black, handle black			<b>8BH1 - 09</b>
H-operator module 130 x 150 mm, mounting form 036H4 Padlock device black, handle red			<b>8BH4 - 09</b>
Legend plate silver, operator module 036H1			<b>FAS8 - ....</b> (FA number)
Legend plate yellow, operator module 036H4			<b>FBS8 - ....</b> (FA number)

Dimensions (mm)									
Product line	A1	A2	C1	D*	D1	D2	E	Switching programmes <sup>1)</sup>	L
K616	130	176	93	150	20	5,5	104	41300, 41400	104
								41600	136
								41311, 41320	142
								41411, 41420	142
								41800,	168
								41611, 41620	174

\* Terminal lugs included

<sup>1)</sup> Examples, other switching programmes on request



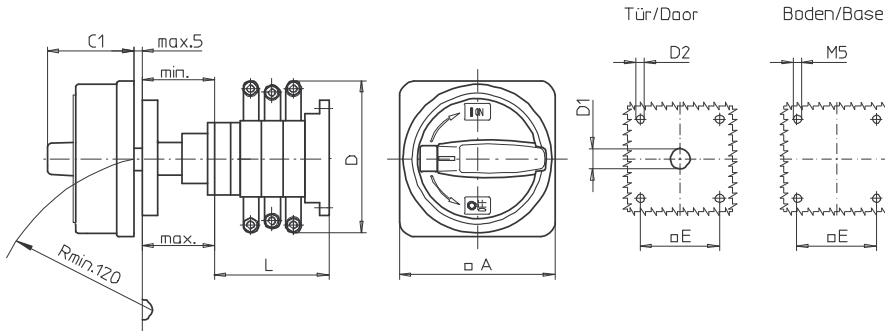
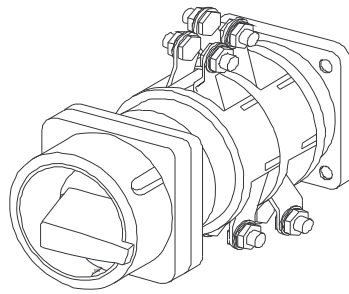
## Section B

	Page	
	from	to
<b>Door interlock</b> Four hole front mounting	<b>B1-1</b>	<b>B1-5</b>
<b>Door interlock with mounting plate</b> Four hole front mounting	<b>B2-1</b>	<b>B2-2</b>

---

**Originator: Sälzer Electric GmbH · Product Data Management (PDM) · 09306 Rochlitz (Germany)**  
Copyright reserved by Sälzer Electric GmbH. This document replaces all previous issues.  
Valid until a new version is published. Changes and revisions reserved.

# Base Mounting Switches



**Product line  
K616**

**Base mounting switch**

**Door interlock**

**Four hole mounting**

68 x 68 mm base  
68 x 68 mm front

**034M1 (IP55)**

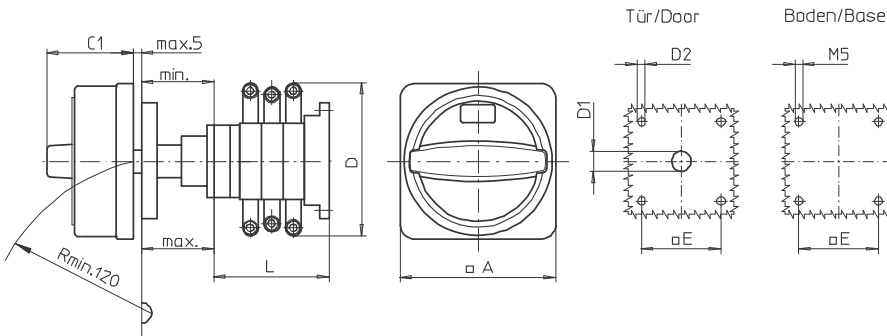
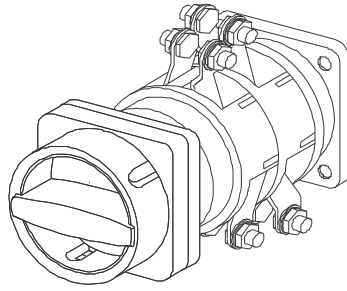
**034M4 (IP55)**

Complete Switch	Poles	Product lines	Rated Data (IEC 60947)			Order Code Number							
			Operational current I <sub>e</sub>	Operational power at 380–440V									
			AC-21A A	AC-23A kW	AC-3 kW								
Main Switches Switching angle 90° OFF position padlockable 09h	3 ... 8	K616	160	75	45	<b>K616 - 41 ... - 034M1</b>							
Main/Emergency-Off Switches Switching angle 90° OFF position padlockable 09h	3 ... 8	K616	160	75	45	<b>K616 - 41 ... - 034M4</b>							
<b>SMD modules for basic switch</b>		(GA A02)	K616			<b>BFA6 - 042</b>							
Mounting form module for 034M.						<b>6KM1</b>							
M-padlock device 88 x 88 mm, mounting form 034M1 Escutcheon black, padlockable handle black													
M-padlock device 88 x 88 mm, mounting form 034M4 Escutcheon yellow, padlockable handle red						<b>6KM4</b>							
<b>Dimensions (mm)</b>													
<b>Type</b>	<b>A</b>	<b>C1</b>	<b>D*</b>	<b>D1</b>	<b>D2</b>	<b>E</b>	<b>min.</b>	<b>max</b>	<b>L with ... stages</b>				
K616	88	50	150	15	5,5	68	48	60	<b>1</b>	<b>2</b>	<b>3</b>	<b>4</b>	
									72	104	136	168	
<b>Switching programmes</b> <b>41300, 41400, 41600, 41800</b>													

\* terminal lugs included

# Base Mounting Switches

**sälzer**



**Product line  
K616**

**Base mounting switch**

**Door interlock**

**Four hole mounting**

68 x 68 mm base

68 x 68 mm front

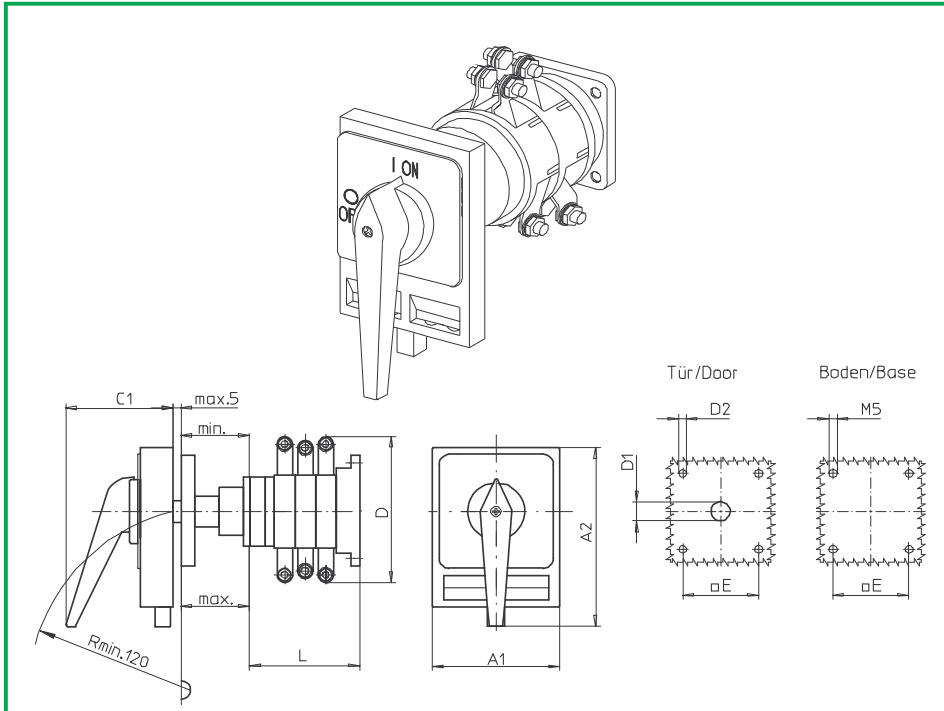
**034N1 (IP55)**

**034N4 (IP55)**

Complete Switch	Poles	Product lines	Rated Data (IEC 60947)			Order Code Number							
			Operational current I <sub>e</sub>	Operational power at 380–440V									
			AC-21A A	AC-23A kW	AC-3 kW								
Main Switches Switching angle 90° OFF position padlockable 09h	3 ... 8	K616	160	75	45	<b>K616 - 41 ... - 034N1</b>							
Main/Emergency-Off Switches Switching angle 90° OFF position padlockable 09h	3 ... 8	K616	160	75	45	<b>K616 - 41 ... - 034N4</b>							
<b>SMD modules for basic switch</b> Mounting form module for 034N. M-padlock device 88 x 88 mm, mounting form 034N1 Escutcheon black, padlockable handle black	(GA A02)		K616			<b>BFA6 - 042 6KN1</b>							
M-padlock device 88 x 88 mm, mounting form 034N4 Escutcheon yellow, padlockable handle red						<b>6KN4</b>							
<b>Dimensions (mm)</b>													
<b>Type</b>	<b>A</b>	<b>C1</b>	<b>D*</b>	<b>D1</b>	<b>D2</b>	<b>E</b>	<b>min.</b>	<b>max</b>	<b>L with ... stages</b>				
K616	88	45	150	15	5,5	68	48	60	<b>1</b>	<b>2</b>	<b>3</b>	<b>4</b>	
									72	104	136	168	
<b>Switching programmes</b> <b>41300, 41400, 41600, 41800</b>													

\* terminal lugs included

# Base Mounting Switches



**Product line**  
**K616**

**Base mounting switch**

**Door interlock**

**Four hole mounting**  
 68 x 68 mm base  
 68 x 68 mm front

**034H1 (IP55)**  
**034H4 (IP55)**

Complete Switch	Poles	Product lines	Rated Data (IEC 60947)			Order Code Number
			Operational current I <sub>e</sub>	Operational power at 380–440V		
			AC-21A A	AC-23A kW	AC-3 kW	
Main Switches Switching angle 90° OFF position padlockable 09h	3 ... 8	K616	160	75	45	<b>K616 - 41 ... - 034H1</b>
Main/Emergency-Off Switches Switching angle 90° OFF position padlockable 09h	3 ... 8	K616	160	75	45	<b>K616 - 41 ... - 034H4</b>

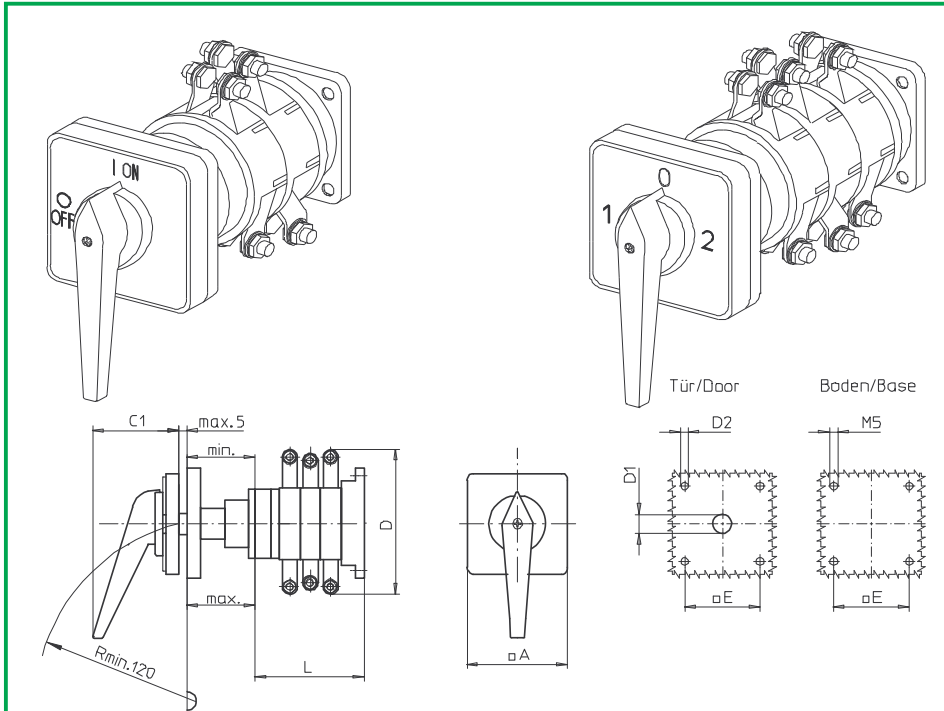
SMD modules for basic switch	(GA A12)		
Mounting form module for 034H.		K616	<b>BFA6 - 042</b>
H-operator module 100 x 125 mm, mounting form 034H1 padlock device black, padlockable handle black			<b>6CH1-09</b>
H-operator module 100 x 125 mm, mounting form 034H4 padlock device black, padlockable handle red			<b>6CH4-09</b>
Legend plate silver, operator module 034H1			<b>FAS6 - .... (FA number)</b>
Legend plate yellow, operator module 034H4			<b>FBS6 - .... (FA number)</b>

Dimensions (mm)													
Type	A1	A2	C1	D*	D1	D2	E	min.	max	L with ... stages			
										1	2	3	4
K616	98	142	83	150	15	5,5	68	48	60	72	104	136	168

**Switching programmes**  
**41300, 41400, 41600, 41800**

\* terminal lugs included

# Base Mounting Switches



**Product line**  
**K616**

**Base mounting switch**

**Door interlock**

**Four hole mounting**  
 68 x 68 mm base  
 68 x 68 mm front

**042G1 (IP55)**

Complete Switch	Poles	Product lines	Rated Data (IEC 60947)			Order Code Number
			Operational current I <sub>e</sub>	Operational power at 380–440V		
			AC-21A A	AC-23A kW	AC-3 kW	
ON-OFF Switches Switching angle 90° Starting position of the handle 09h	3 ... 8	K616	160	75	45	<b>K616 - 41 ... - 042G1</b>
Changeover with OFF Switching angle 90° Starting position of the handle 12h	3 ... 4	K616	160	75	45	<b>K616 - 71 ... - 042G1</b>

SMD modules for basic switch	(GA A02)		
Mounting form module for 042G1		K616	<b>BFA6 - 042</b>
G-operator module 88 x 88 mm, mounting form 042G1 Escutcheon black, handle black; Starting position of the handle 09h			<b>6AG1</b>
G-operator module 88 x 88 mm, mounting form 042G1 Escutcheon black, handle black; Starting position of the handle 12h			<b>6BG1</b>
Legend plate silver, operator module 042G1			<b>FAS6 - .... (FA number)</b>

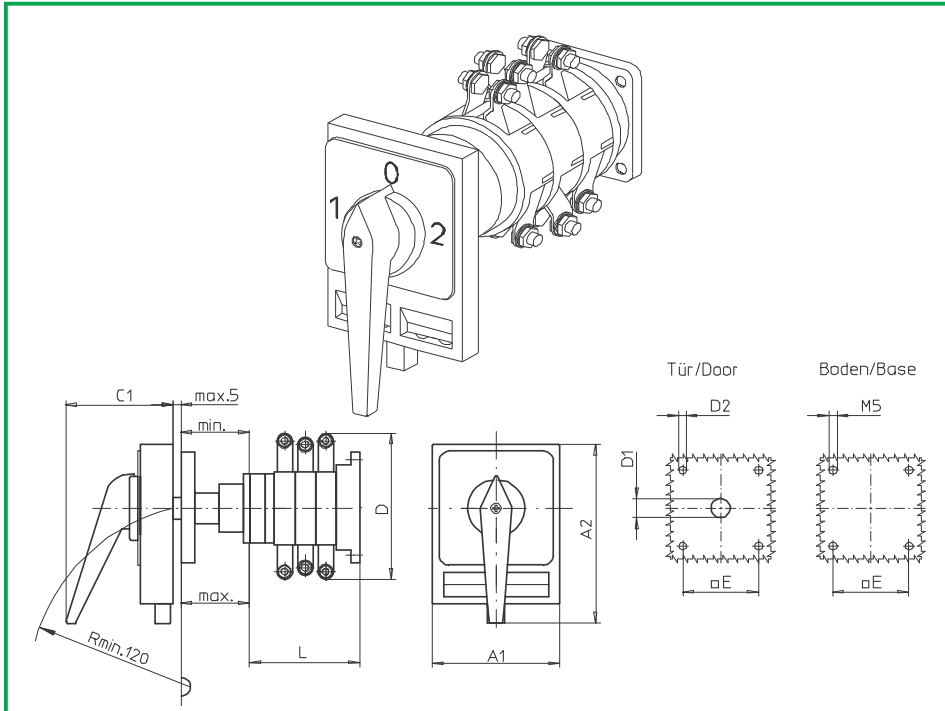
Dimensions (mm)												
Type	A	C1	D*	D1	D2	E	min.	max	L with ... stages			
									1	2	3	4
K616	88	66	150	15	5,5	68	48	60	72	104	136	168

**Switching programmes**  
 41300, 41400, 41600, 41800  
 71300, 71400

\* terminal lugs included



# Base Mounting Switches



**Product line**  
**K616**

**Base mounting switch**

**Door interlock**

**Four hole mounting**  
 68 x 68 mm base  
 68 x 68 mm front

**042H1 (IP55)**  
**043H1 (IP55)**

Complete Switch	Poles	Product lines	Rated Data (IEC 60947)			Order Code Number
			Operational current I <sub>e</sub>	Operational power at 380–440V		
			AC-21A A	AC-23A kW	AC-3 kW	
Changeover with OFF Switching angle 90° OFF position padlockable 12h	3 ... 4	K616	160	75	45	<b>K616 - 71 ... - 042H1</b>
Changeover with OFF Switching angle 90° 3 positions padlockable (09h/12h/03h)	3 ... 4	K616	160	75	45	<b>K616 - 71 ... - 043H1</b>

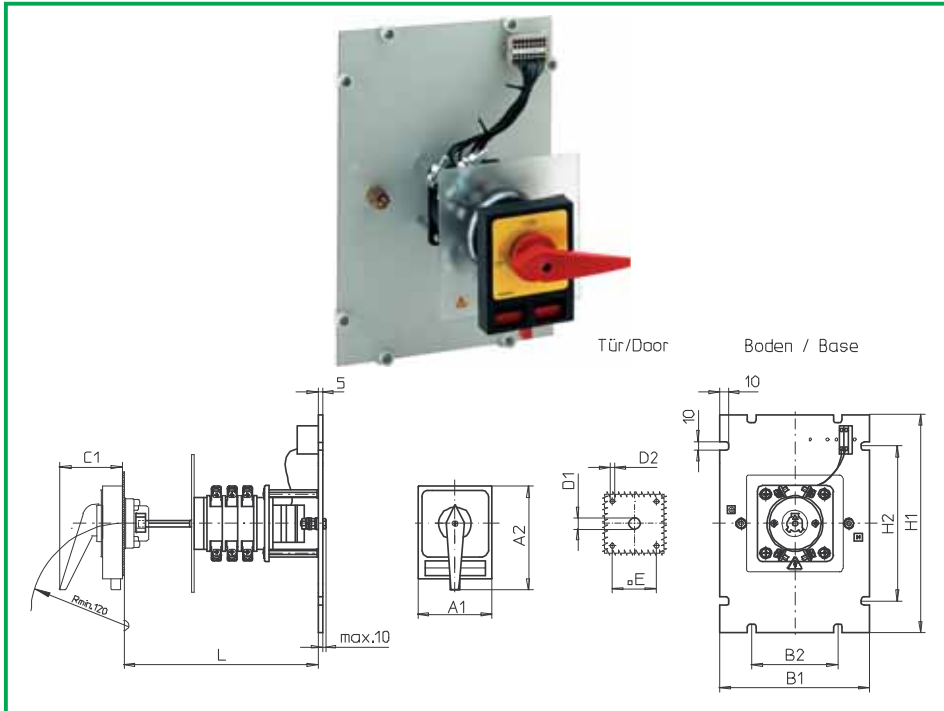
SMD modules for basic switch	(GA A02)		
Mounting form module for 042H1/ 043H1		K616	<b>BFA6 - 042</b>
H-operator module 100 x 125 mm, mounting form 042H1 padlock device black, H-handle black			<b>6EH1 - 12</b>
H-operator module 100 x 125 mm, mounting form 043H1 padlock device black, H-handle black			<b>6EH1 - 99</b>
Legend plate silver, operator module 042H1/ 043H1			<b>FAS6 - .... (FA number)</b>

Dimensions (mm)													
Type	A1	A2	C1	D*	D1	D2	E	min.	max	L with ... stages			
										1	2	3	4
K616	98	142	83	150	15	5,5	68	48	60	72	104	136	168
<b>Switching programmes</b> 71300, 71400													

\* terminal lugs included

# Base Mounting Switches

# sälzer



**Product line  
K616**

**Base mounting switch**

**Door interlock  
with mounting plate**

**Four hole mounting**

150 x 270 mm base

48 x 48 mm front

**483H1 (IP66)**

**483H4 (IP66)**

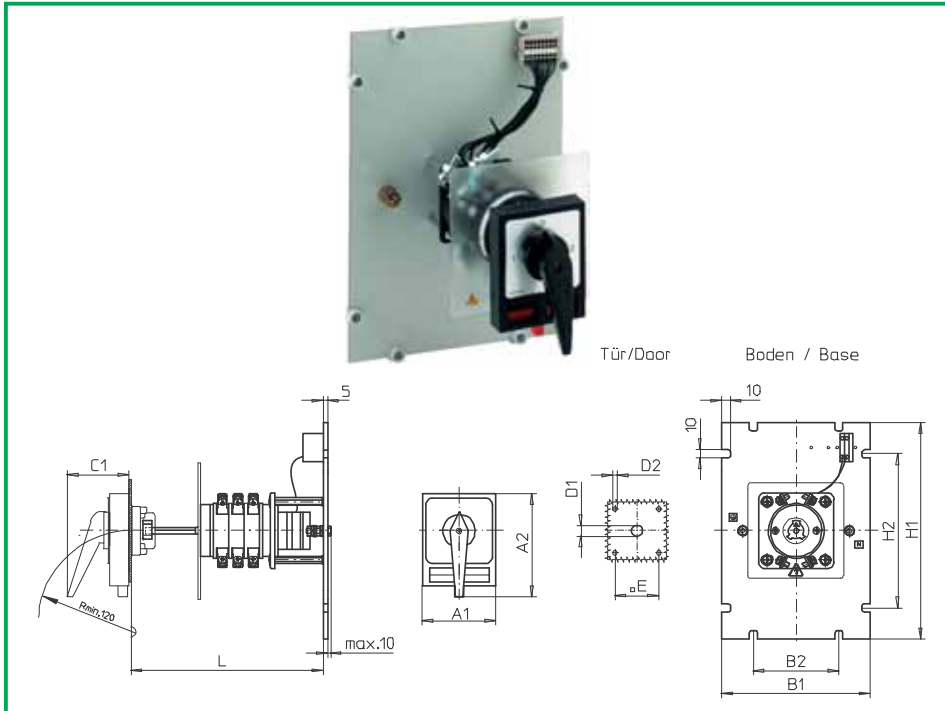
Complete Switch	Poles	Product lines	Rated Data (IEC 60947)			Order Code Number
			Operational current I <sub>e</sub>	Operational power at 380–440V		
			AC-21A A	AC-23A kW	AC-3 kW	
Main Switches Switching angle 90° OFF position padlockable 09h	3 ... 8	K616	160	75	45	<b>K616 - 41 ... - 483H1</b>
Main/Emergency-Off Switches Switching angle 90° OFF position padlockable 09h	3 ... 8	K616	160	75	45	<b>K616 - 41 ... - 483H4</b>

SMD modules for basic switch	(GA A02)		
Mounting form module for 483H.		K616	<b>BFA6 - 042</b>
H-operator module 100 x 125 mm, mounting form 483H1 padlock device black, H-handle black			<b>6CH1-09</b>
H-operator module 100 x 125 mm, mounting form 483H4 padlock device black, H-handle red			<b>6CH4-09</b>
Legend plate silver, operator module 483H1			<b>FAS6 - .... (FA number)</b>
Legend plate yellow, operator module 483H4			<b>FBS6 - .... (FA number)</b>

Dimensions (mm)												
Type	A1	A2	B1	B2	C1	D1	D2	E	H1	H2	Switching programmes	L
K616	98	142	260	150	83	15	5,5	68	380	270	41300, 41400 other programmes	150 255
<b>Switching programmes</b>												
<b>41300, 41400, 41600, 41800</b>												
<b>71300, 71400</b>												

\* terminal lugs included

# Base Mounting Switches



**Product line  
K616**

**Base mounting switch**

**Door interlock  
with mounting plate**

**Four hole mounting**  
150 x 270 mm base  
48 x 48 mm front

**484H1 (IP66)**

Complete Switch	Poles	Product lines	Rated Data (IEC 60947)			Order Code Number						
			Operational current I <sub>e</sub>	Operational power at 380–440V								
			AC-21A A	AC-23A kW	AC-3 kW							
Changeover with OFF Switching angle 90° OFF position padlockable 12h	3 ... 4	K616	160	75	45	<b>K616 - 71 ... - 484H1</b>						
<b>SMD modules for basic switch</b>		(GA A02)										
Mounting form module for 484H1			K616			<b>BFA6 - 042</b>						
H-operator module 100 x 125 mm, mounting form 484H1 padlock device black, H-handle black						<b>6EH1 - 12</b>						
Legend plate silver, operator module 484H1						<b>FAS6 - .... (FA number)</b>						
<b>Dimensions (mm)</b>												
<b>Type</b>	<b>A1</b>	<b>A2</b>	<b>B1</b>	<b>B2</b>	<b>C1</b>	<b>D1</b>	<b>D2</b>	<b>E</b>	<b>H1</b>	<b>H2</b>	<b>L</b>	
K616	98	142	260	150	83	15	5,5	68	380	270	255	
<b>Switching programmes</b>												
71300, 71311, 71322, 71400												

\* terminal lugs included



## Section C

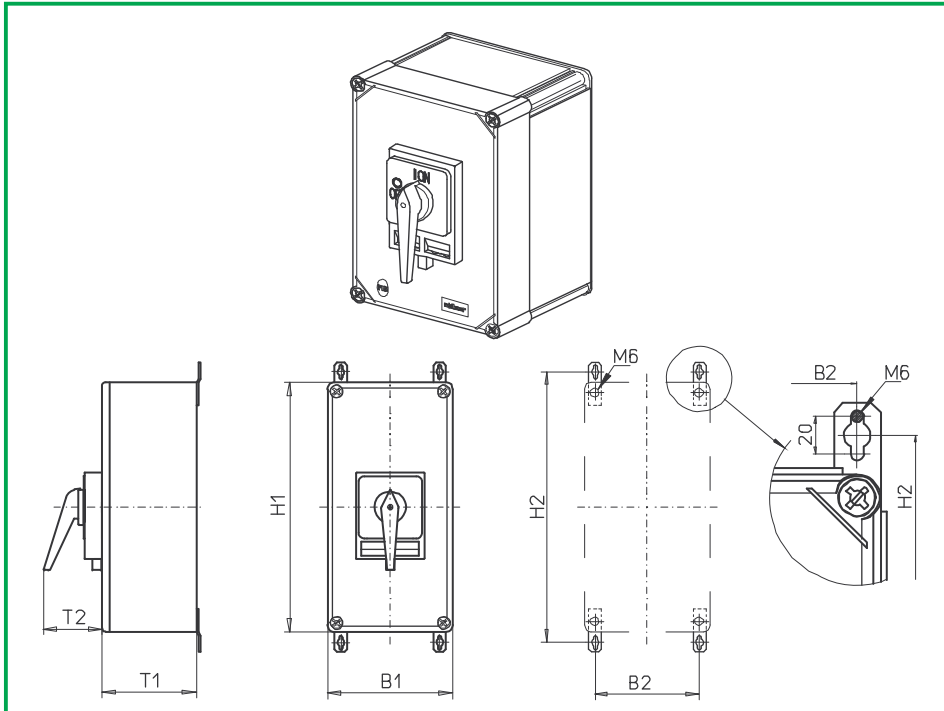
	Page	
	from	to
<b>Insulated enclosures</b>	<b>C1-1</b>	<b>C1-3</b>
<b>Mild steel enclosures</b>	<b>C2-1</b>	<b>C2-2</b>

---

**Originator: Sälzer Electric GmbH · Product Data Management (PDM) · 09306 Rochlitz (Germany)**  
Copyright reserved by Sälzer Electric GmbH. This document replaces all previous issues.  
Valid until a new version is published. Changes and revisions reserved.

# Enclosed Switches

# sälzer



**Product line**  
**K616**

**Enclosed switches**

**Insulated enclosures**  
440 x 320 x 180 mm

With cover interlock  
in ON position

**Cable entries**  
Blank gland plates

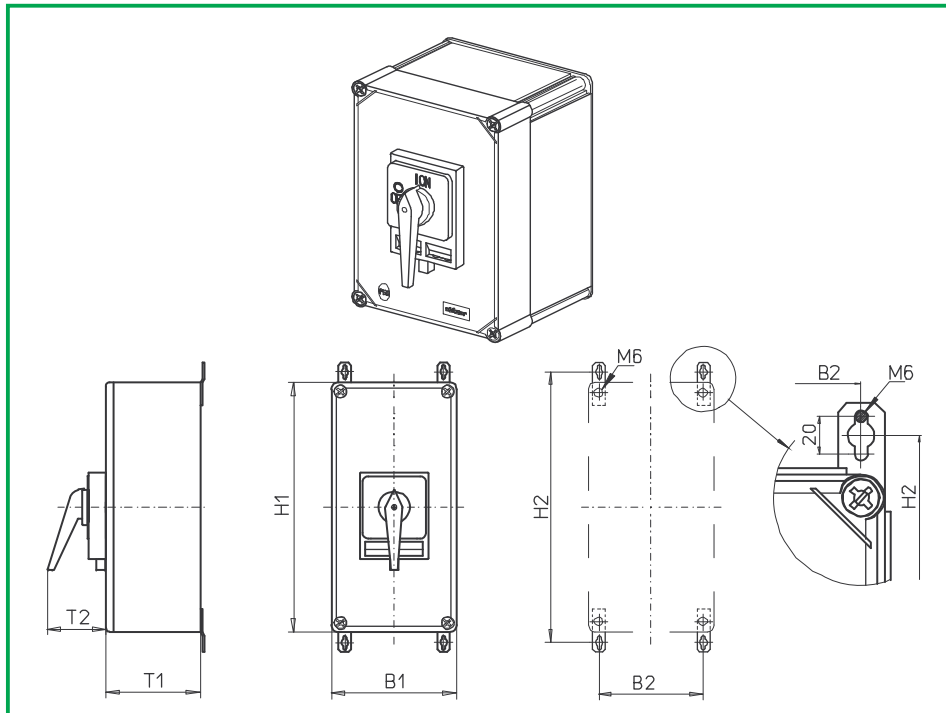
**077H1 (IP66)**

**077H4 (IP66)**

Complete Switch	Poles	Product lines	Rated Data (IEC 60947)			Order Code Number
			Operational current I <sub>e</sub>	Operational power at 380–440V		
			AC-21A A	AC-23A kW	AC-3 kW	
Main Switches Switching angle 90° OFF position padlockable 09h	3 ... 4	K616	160	75	45	<b>K616 - 41 ... - 077H1</b>
Main/Emergency-Off Switches Switching angle 90° OFF position padlockable 09h	3 ... 4	K616	160	75	45	<b>K616 - 41 ... - 077H4</b>
<b>SMD modules for switch module</b>						
Mounting form module			K616			<b>K616- 41 ... - ED</b>
Enclosure module, mounting form 077H1 H-padlock device black						<b>PAK6-077H1</b>
Enclosure module, mounting form 077H4 H-padlock device yellow/red						<b>PAK6-077H4</b>
<b>Dimensions (mm)</b>						
<b>Product line</b>	<b>H1</b>	<b>H2</b>	<b>B1</b>	<b>B2</b>	<b>T1</b>	<b>T2</b>
K616	440	480	320	293	180	83
<b>Switching programmes</b>						
Main Switches and	3-pole	<b>41300</b>				
Main/Emergency-Off Switches	4-pole	<b>41400</b>				

# Enclosed Switches

# sälzer



**Product line**  
**K616**

**Enclosed switches**

**Insulated enclosures**  
440 x 320 x 255 mm

With cover interlock  
in ON position

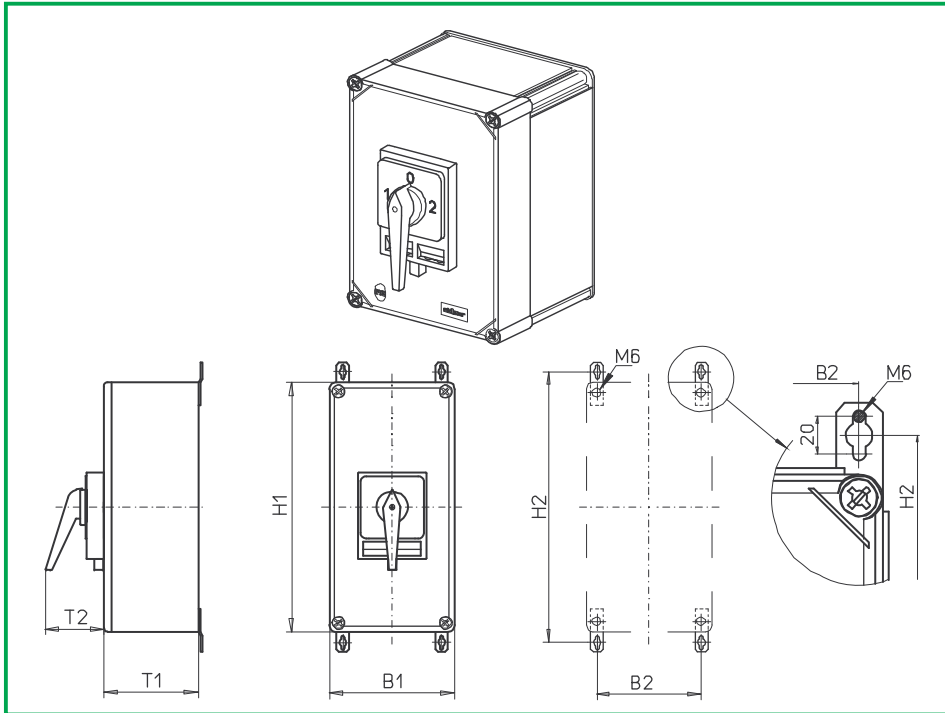
**Cable entries**  
Blank gland plates

**177H1 (IP66)**

**177H4 (IP66)**

Complete Switch	Poles	Product lines	Rated Data (IEC 60947)			Order Code Number
			Operational current I <sub>e</sub>	Operational power at 380–440V		
			AC-21A A	AC-23A kW	AC-3 kW	
Main Switches Switching angle 90° OFF position padlockable 09h	3 ... 8	K616	160	75	45	<b>K616 - 41 ... - 177H1</b>
Main/Emergency-Off Switches Switching angle 90° OFF position padlockable 09h	3 ... 8	K616	160	75	45	<b>K616 - 41 ... - 177H4</b>
<b>SMD modules for switch module</b>						
Mounting form module			K616			<b>K616- 41 ... - ED</b>
Enclosure module, mounting form 177H1 H-padlock device black						<b>PAK6-177H1</b>
Enclosure module, mounting form 177H4 H-padlock device yellow/red						<b>PAK6-177H4</b>
<b>Dimensions (mm)</b>						
<b>Product line</b>	<b>H1</b>	<b>H2</b>	<b>B1</b>	<b>B2</b>	<b>T1</b>	<b>T2</b>
K616	440	480	320	293	255	83
<b>Switching programmes</b>						
Main Switches and Main/Emergency-Off Switches	3- /4-pole	<b>41311, 41320, 41411, 41420</b>				
	6-pole	<b>41600, 41611, 41620</b>				
	8-pole	<b>41800</b>				

# Enclosed Switches



**Product line  
K616**

**Enclosed switches**

**Insulated enclosures**  
440 x 320 x 255 mm

With cover interlock  
in position 1 and 2

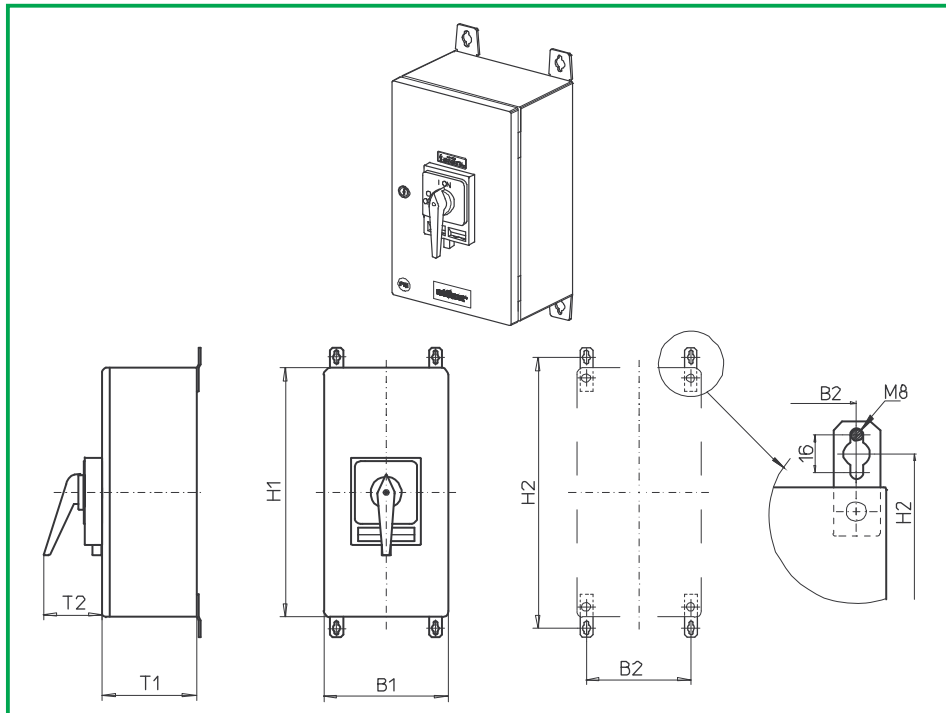
**Cable entries**  
Blank gland plates

**176H1 (IP66)**

Complete Switch	Poles	Product lines	Rated Data (IEC 60947)			Order Code Number
			Operational current I <sub>e</sub>	Operational power at 380–440V		
			AC-21A A	AC-23A kW	AC-3 kW	
Changeover with OFF Switching angle 90° OFF position padlockable 12h	3 ... 4	K616	160	75	45	<b>K616 - 71 ... - 176H1</b>
<b>SMD modules for switch module</b>						
Mounting form module			K616			<b>K616- 41 ... - ED</b>
Enclosure module, mounting form 176H1 H-padlock device black						<b>PAK6 - 176H1</b>
<b>Dimensions (mm)</b>						
<b>Product line</b>	<b>H1</b>	<b>H2</b>	<b>B1</b>	<b>B2</b>	<b>T1</b>	<b>T2</b>
K616	440	480	320	293	255	83
<b>Switching programmes</b>						
Changeover Switches	3-pole	<b>71300, 71311, 71322</b>				
	4-pole	<b>71400</b>				

# Enclosed Switches

# sälzer



**Product line  
K616**

**Enclosed switches**

**Mild steel enclosures**  
500 x 400 x 300 mm

With cover interlock  
in ON position

**Cable entries**  
Blank gland plates

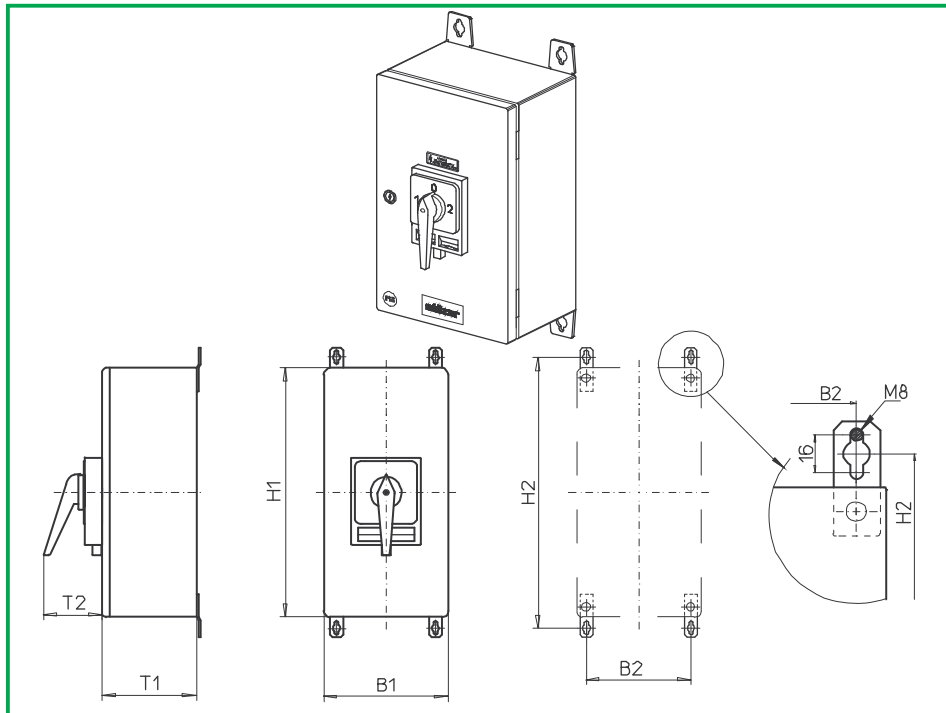
**187H1 (IP66)**  
**187H4 (IP66)**

Complete Switch	Poles	Product lines	Rated Data (IEC 60947)			Order Code Number
			Operational current I <sub>e</sub>	Operational power at 380–440V		
			AC-21A A	AC-23A kW	AC-3 kW	
Main Switches Switching angle 90° OFF position padlockable 09h	3 ... 8	K616	160	75	45	<b>K616 - 41 ... - 187H1</b>
Main/Emergency-Off Switches Switching angle 90° OFF position padlockable 09h	3 ... 8	K616	160	75	45	<b>K616 - 41 ... - 187H4</b>
<b>SMD modules for switch module</b>						
Mounting form module			K616			<b>K616- 41 ... - SED</b>
Enclosure module, mounting form 187H1 H-padlock device black						<b>SAK6-187H1</b>
Enclosure module, mounting form 187H4 H-padlock device yellow/red						<b>SAK6-187H4</b>
<b>Dimensions (mm)</b>						
<b>Product line</b>	<b>H1</b>	<b>H2</b>	<b>B1</b>	<b>B2</b>	<b>T1</b>	<b>T2</b>
K616	500	545	400	360	300	83
<b>Switching programmes</b>						
Main Switches and Main/Emergency-Off Switches	3-/4-pole	<b>41300, 41311, 41320, 41400, 41411, 41420</b>				
	6-pole	<b>41600, 41611, 41620</b>				
	8-pole	<b>41800</b>				



# Enclosed Switches

# sälzer



**Product line  
K616**

**Enclosed switches**

**Mild steel enclosures**  
500 x 400 x 300 mm

With cover interlock  
in position 1 and 2

**Cable entries**  
Blank gland plates

**186H1(IP66)**

Complete Switch	Poles	Product lines	Rated Data (IEC 60947)			Order Code Number
			Operational current I <sub>e</sub>	Operational power at 380–440V		
			AC-21A A	AC-23A kW	AC-3 kW	
Changeover with OFF Switching angle 90° OFF position padlockable 12h	3 ... 4	K616	160	75	45	<b>K616 - 71 ... - 186H1</b>
<b>SMD modules for switch module</b>						
Mounting form module			K616			<b>K616- 71 ... - SED</b>
Enclosure module, mounting form 186H1 H-padlock device black						<b>SAK6 - 186H1</b>
<b>Dimensions (mm)</b>						
<b>Product line</b>	<b>H1</b>	<b>H2</b>	<b>B1</b>	<b>B2</b>	<b>T1</b>	<b>T2</b>
K616	500	545	400	360	300	83
<b>Switching programmes</b>						
Changeover Switches	3-pole	<b>71300, 71311, 71322</b>				
	4-pole	<b>71400</b>				



## Section D

Page  
from to

**Additional top escutcheon plates**

**D1-1**

**D1-2**

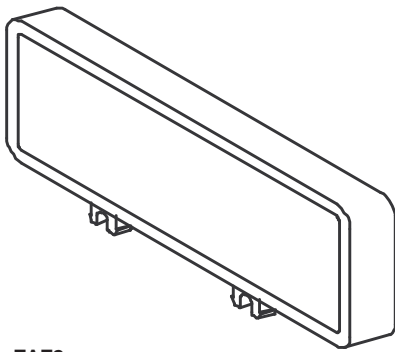
---

**Originator: Sälzer Electric GmbH · Product Data Management (PDM) · 09306 Rochlitz (Germany)**

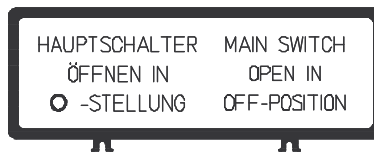
Copyright reserved by Sälzer Electric GmbH. This document replaces all previous issues.

Valid until a new version is published. Changes and revisions reserved.

# Accessories



**FAZ2**  
Escutcheon frame plate black  
(without legend plate)



**FAZ2 - 8041**

**Product line  
K616**

**Additional top  
escutcheon plates**

to put on escutcheons  
and padlock devices  
(also in connection with  
enclosures)

**FAZ2 - . . . .**

## Additional top escutcheon plates

with additional inscription to be clipped on to the escutcheon and padlock devices

Escutcheon frame plate black, legend plate silver, without inscription (can be engraved)

Escutcheon frame plate black, legend plate silver, inscription FA 8...\*

Escutcheon frame plate black, legend plate silver, special engraving

Escutcheon frame plate black, legend plate yellow, without inscription (can be engraved)

Escutcheon frame plate black, legend plate yellow, inscription FA 8...\*

Escutcheon frame plate black, legend plate yellow, special engraving

Escutcheon frame plate black (without legend plate)

**FAZ2 - 8000**

**FAZ2 - 8 . . .**

**FAZ2 - (special no.)**

**FBZ2 - 8000**

**FBZ2 - 8 . . .**

**FBZ2 - (special no.)**

**FAZ2**

## Legend plates

Legend plate silver, without inscription (can be engraved)

Legend plate silver, inscription FA 8...\*

Legend plate silver, special engraving

Legend plate yellow, without inscription (can be engraved)

Legend plate yellow, inscription FA 8...\*

Legend plate yellow, special engraving

**FAS2 - 8000**

**FAS2 - 8 . . .**

**FAS2 - (special no.)**

**FBS2 - 8000**

**FBS2 - 8 . . .**

**FBS2 - (special no.)**

\* inscription FA8... see next page

HAUPTSCHALTER MAIN SWITCH  
 ÖFFNEN IN OPEN IN  
 O-STELLUNG OFF-POSITION

Example: Legend plate silver **FAS2 - 8041**  
 for top escutcheon plate FAZ2-8041

**Product line  
 K616**

**Legend plates**  
 for additional top  
 escutcheon plates

**FAS2 - 8 ...**  
**FBS2 - 8 ...**

### Legend plates for Additional top escutcheon plates

Legend plate silver, without inscription (can be engraved)  
 Legend plate silver, inscription FA 8...  
 Legend plate silver, special engraving

Legend plate yellow, without inscription (can be engraved)  
 Legend plate yellow, inscription FA 8...  
 Legend plate yellow, special engraving

**FAS2 - 8000**  
**FAS2 - 8 ...**  
**FAS2 - (special no.)**

**FBS2 - 8000**  
**FBS2 - 8 ...**  
**FBS2 - (special no.)**

### Legend plates, inscription FA 8...

FA 8000	FA 8001	FA 8002	FA 8003	FA 8004	FA 8005
FA 8006	FA 8007	FA 8008	FA 8009	FA 8010	FA 8011
FA 8012	FA 8013	FA 8014	FA 8015	FA 8016	FA 8017
FA 8018	FA 8019	FA 8021	FA 8023	FA 8024	FA 8025
FA 8026	FA 8027	FA 8028	FA 8029	FA 8030	FA 8031
FA 8032	FA 8033	FA 8034	FA 8035	FA 8036	FA 8037
FA 8038	FA 8039	FA 8040	FA 8041	FA 8042	FA 8044



### Faster deliveries through SMD

In order to ensure even greater flexibility for worldwide supply availability within 24h, Sälzer Electric has introduced the SMD (Sälzer Modular Design) system.

SMD modules are individually prefabricated and tested all-in-one modules which SMD Service holds in stock in sufficient quantities. From basic switch modules, mounting form modules and operator modules, SMD Service can assemble a complete switch requested by the customer and pack it ready for delivery in just a few actions.

**– back –**