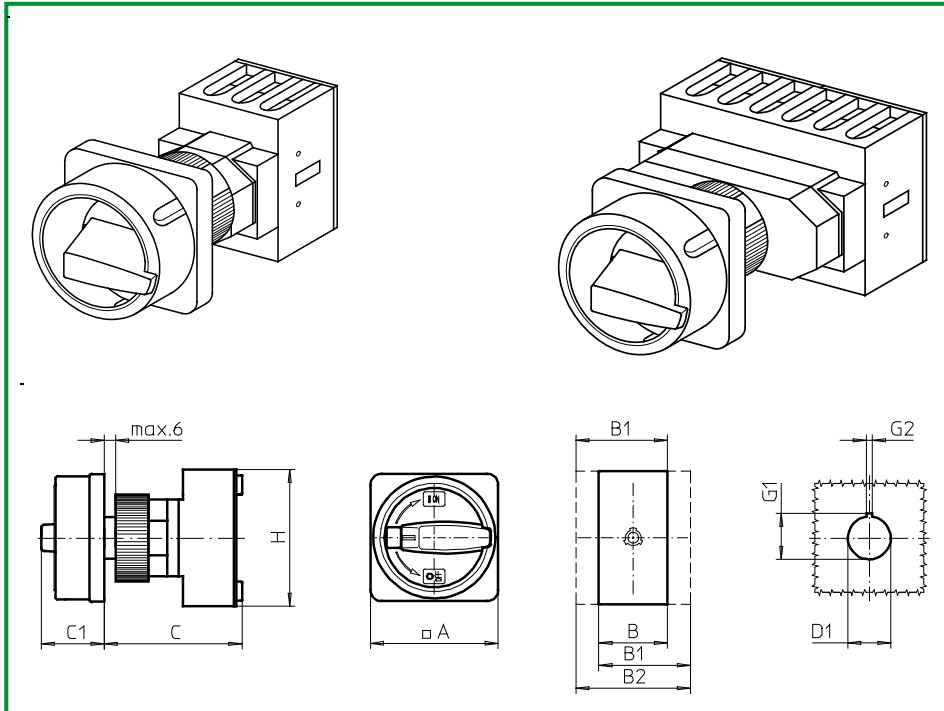


Front Mounting Switches

sälzer



**Product lines
H200-A/-B/-C/-D**

Front mounting switch

**Single hole mounting
ø 30,5 mm**

216M1 (IP66)

216M4 (IP66)

Complete switch	Poles	Product lines	Rated data (IEC 60947)			Order code number
			Operational current I _e	Operational power at 380–440V		
			AC-21A A	AC-23A kW	AC-3 kW	
Main Switches OFF position padlockable 09h	3 ... 4	H200-C	20	5,5	3,7	H212 - 41 ... - 216M1
	3 ... 8	H200-A/-D	20	5,5	3,7	H216 - 41 ... - 216M1
			25	7,5	5,5	H220 - 41 ... - 216M1
			32	11	7,5	H226 - 41 ... - 216M1
			40	15	11	H233 - 41 ... - 216M1
			63	22	18,5	H263 - 41 ... - 216M1
Main/Emergency-Off Switches OFF position padlockable 09h	3 ... 4	H200-C	20	5,5	3,7	H212 - 41 ... - 216M4
	3 ... 8	H200-A/-D	20	5,5	3,7	H216 - 41 ... - 216M4
			25	7,5	5,5	H220 - 41 ... - 216M4
			32	11	7,5	H226 - 41 ... - 216M4
			40	15	11	H233 - 41 ... - 216M4
			63	22	18,5	H263 - 41 ... - 216M4

SMD modules for basic switch A01

Mounting form module for 216M.

H200-A
H200-B/-C/-D

BFA2 - 219
BFB2 - 219

M-padlock device 67 × 67 mm, mounting form 216M1
Escutcheon black, padlockable handle black

H200-A/-B/-C/-D

2FM1 - 30

M-padlock device 67 × 67 mm, mounting form 216M4
Escutcheon yellow, padlockable handle red

2FM4 - 30

Dimensions (mm)

Product lines	A	B	B1	B2	C	C1	D1	G1	G2	H
H200-A	67	36	48	60	75	38	30,5	33	4,8	70
H200-B	67	50	69	88	75	38	30,5	33	4,8	72
H200-C	67	45	-	-	70	38	30,5	33	4,8	45
H200-D	67	72	84	96	83	38	30,5	33	4,8	70