

Base Mounting Switches

sälzer

**Product line
P200**

Base mounting switch

Door clutch

Modular shaft extension

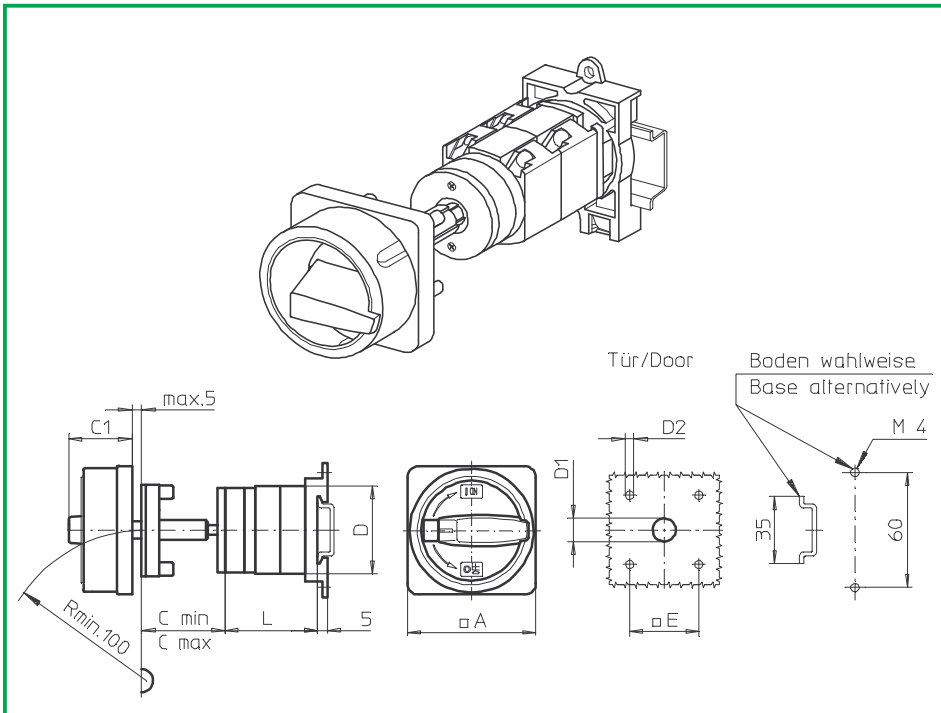
Four hole mounting

36 x 36 mm front

Snap on mounting base plate

232M1 (IP66)

232M4 (IP66)



Complete switch	Poles	Product line	Rated data (IEC 60947)			Order code number
			Operational current I _e	Operational power at 380–440 V		
			AC-21A A	AC-23A kW	AC-3 kW	
Main Switches Switching angle 90° OFF position padlockable 09h	1 ... 24	P200	20	7,5	5,5	P220 - 61 ... - 232M1
			25	11	7,5	P225 - 61 ... - 232M1
Main/Emergency-Off Switches Switching angle 90° OFF position padlockable 09h	1 ... 24	P200	20	7,5	5,5	P220 - 61 ... - 232M4
			25	11	7,5	P225 - 61 ... - 232M4

SMD modules for basic switch A02

Mounting form module for 232M.

P200

BFC2 - 232

M-padlock device 67 x 67 mm, mounting form 232M1
Escutcheon black, padlockable handle black

2CM1

M-padlock device 67 x 67 mm, mounting form 232M4
Escutcheon yellow, padlockable handle red

2CM4

Dimensions (mm)

Type	A	C _{min}	C _{max}	C ₁	D	D ₁	D ₂	E	L with ... stages (max. 12)				each add. stage
									1	2	3	4	
P220	67	42	59	38	44	15	4,5	36	40	53	66	79	13
P221	67	42	59	38	44	15	4,5	36	43,5	60	76,5	93	16,5
P225	67	42	59	38	46	15	4,5	36	42	57	72	87	15
P226	67	42	59	38	46	15	4,5	36	45,5	64	82,5	101	18,5