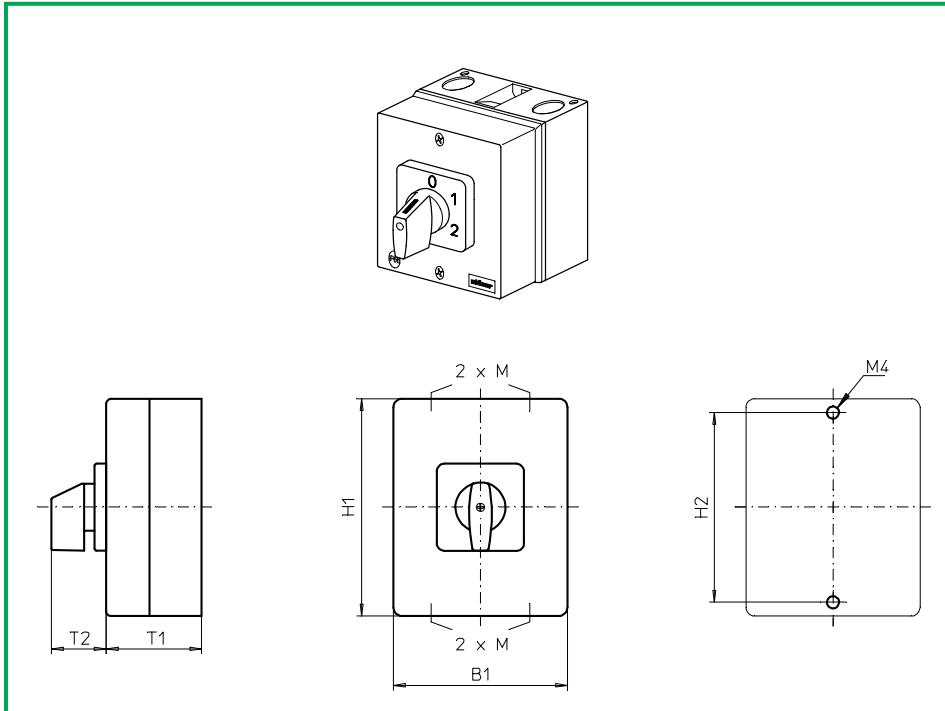


Enclosed Switches

sälzer



Product line
M200

Enclosed Switches

Insulated enclosure
100 x 80 x 65 mm

Cable entries
4 x M20

076M1 (IP66)

Complete switch	Poles	Product line	Rated data (IEC 60947)			Order code number
			Operational current I _e	Operational power at 380–440 V		
			AC-21A A	AC-23A kW	AC-3 kW	
Rotary Cam Switches Switching angle 30°/45°/60°/90°	1 ... 4	M200	20	7,5	5,5	M220 - 61 ... - 076M1

SMD modules for basic switch						
Mounting form module for 076M1, 1 contact stage				M220		BFE2 - EA
Mounting form module for 076M1, 2 contact stages				M220		BFF2 - EA
Enclosure module, mounting form 076M1						PAM2 - 076M1
Legend plate silver, enclosure module 076M1						FAS2 - (FA number)

Dimensions (mm)						
Product line	H1	B1	T1	T2	2xM	H2
M220	100	80	65	32	20	90