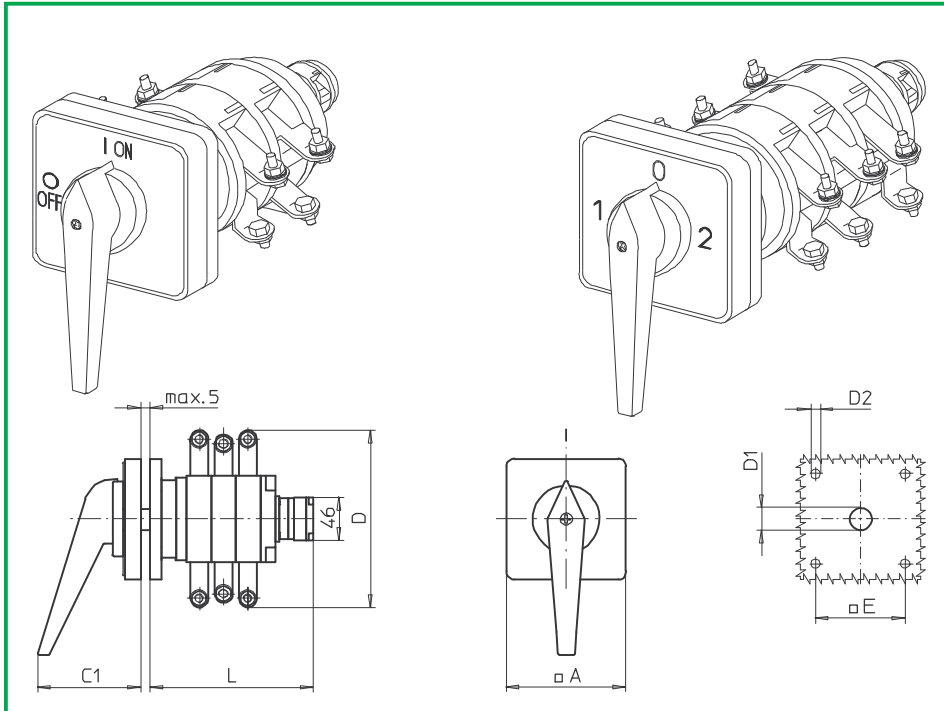


Front Mounting Switches

sälzer



**Product line
K830**

Front mounting switch

**Four hole mounting
104 x 104 mm**

003G1 (IP55)

Complete Switch	Poles	Product lines	Rated Data (IEC 60947)			Order Code Number
			Operational current I _e	Operational power at 380–440V		
			AC-21A A	AC-23A kW	AC-3 kW	
ON-OFF Switches Switching angle 90° Starting position of the handle 09h	3 ... 8	K830	315	132	55	K830 - 41 ... - 003G1
Changeover with OFF Switching angle 90° Starting position of the handle 12h	3 ... 4	K830	315	132	55	K830 - 71 ... - 003G1

SMD modules for basic switch	(GA A01)		
Mounting form module for 003G1		K830	BFA8 - 003
G-operator module 130 x 130 mm, mounting form 003G1 Escutcheon black, handle black, Starting position of the handle 09h			8AG1
G-operator module 130 x 130 mm, mounting form 003G1 Escutcheon black, handle black, Starting position of the handle 12h			8BG1
Legend plate silver, operator module 003G1			FAS8 - (FA number)

Dimensions (mm)						
Product line	A	C1	D*	D1	D2	E
K830	130	74	210	20	5,5	104
Switching programmes ¹⁾						
Dimension L	ON-OFF Switches		Changeover Switches			
125	41300, 41400		-			
161	41600		71300			
163	41311, 41320, 41411, 41420		-			
197	41800		71400			
199	41611, 41620		71311, 71320			

* Terminal lugs included

¹⁾ Examples, other switching programmes on request