

Base Mounting Switches

sälzer

Product line
S600

Base mounting switch

Base/front mounting

Four hole mounting

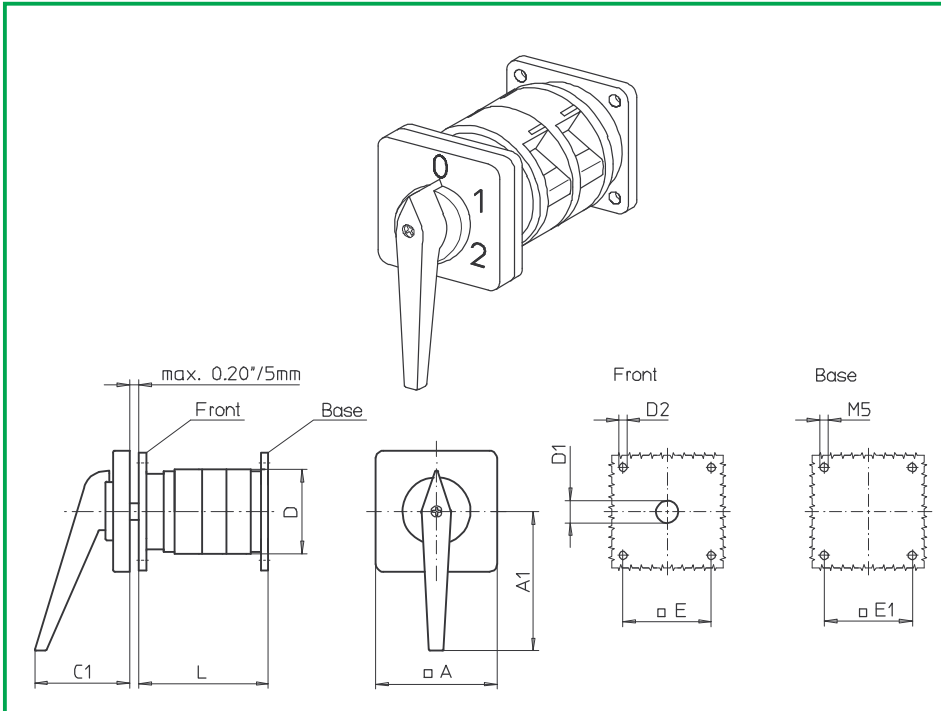
68 x 68 mm front

68 x 68 mm base

G-operator module

88 x 88 mm escutcheon

002G1



Complete switch	Poles	Product lines	Rated data (IEC 60947)			Order code number
			Operational current I _e	Operational power at 380–440 V		
			AC-21A A	AC-23A kW	AC-3 kW	
Rotary Cam Switches Switching angle 30°/45°/60°/90°	1 ... 24	S600	80 100 160	45 55 75	30 37 45	S606 - 61 ... - 002G1 S608 - 61 ... - 002G1 S612 - 61 ... - 002G1

SMD modules for basic switch (A33)			
Mounting form module for 002G1		S600	BFA6 - 002
G-operator module 88 x 88 mm, mounting form 002G1			6AG1
Starting position of the handle 09h			
Escutcheon black, handle black			
G-operator module 88 x 88 mm, mounting form 002G1			6BG1
Starting position of the handle 12h			
Escutcheon black, handle black			
Legend plate silver, operator module 002G1			FAS6 - (FA number)

Dimensions (mm)														
Type	A	A1	C1	D	D1	D2	E1	E2	L with ... stages (max. 12)					each add. stage
									1	2	3	4	5	
S606	88	86	66	84	15	5,5	68	68	64	86	108	130	152	22
S608	88	86	66	88	15	5,5	68	68	71	97	123	149	175	26
S612	88	86	66	88	15	5,5	68	68	77	109	141	173	205	32