

Base Mounting Switches

sälzer

**Product lines
H200-A/-B/-D**

Base mounting switch

Door interlock

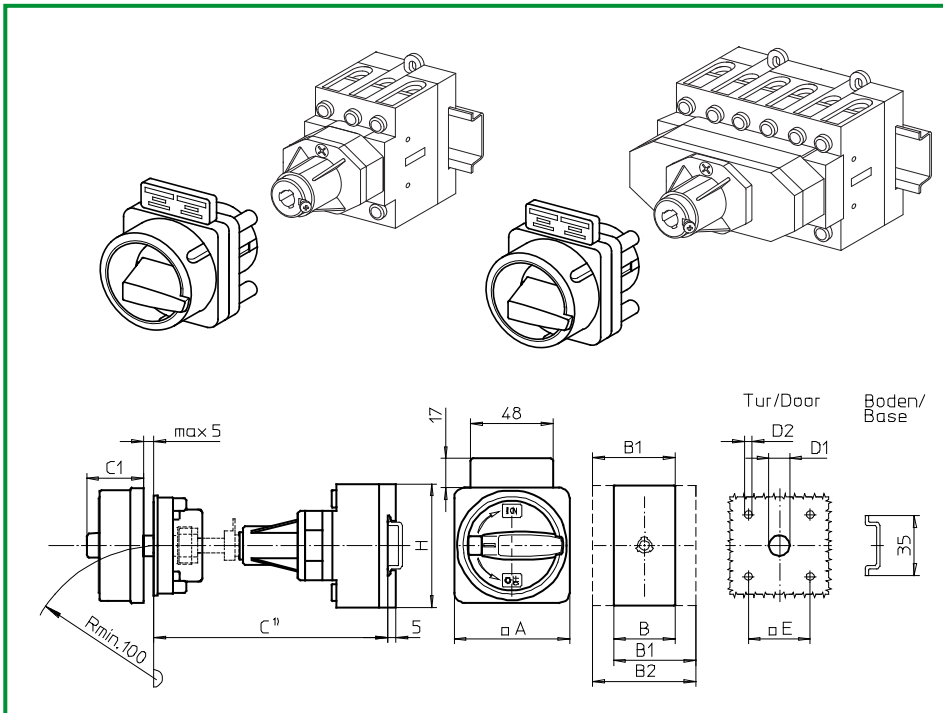
Metal shaft extension
With shaft retaining screw

Four hole mounting

36 x 36 mm front

455M1 (IP66)

455M4 (IP66)



| Complete switch | Poles | Product lines | Rated data (IEC 60947) | | | Order code number |
|---|---------|---------------|------------------------------------|-------------------------------|------------|------------------------------|
| | | | Operational current I _e | Operational power at 380–440V | | |
| | | | AC-21A A | AC-23A kW | AC-3 kW | |
| Main Switches OFF position padlockable 09h | 3 ... 8 | H200-A/-D | 20 | 5,5 | 3,7 | H216 - 41 ... - 455M1 |
| | | | 25 | 7,5 | 5,5 | H220 - 41 ... - 455M1 |
| | | | 32 | 11 | 7,5 | H226 - 41 ... - 455M1 |
| | | | 40 | 15 | 11 | H233 - 41 ... - 455M1 |
| | | | 63 | 22 | 18,5 | H263 - 41 ... - 455M1 |
| Main/Emergency-Off Switches OFF position padlockable 09h | 3 ... 8 | H200-A/-D | 20 | 5,5 | 3,7 | H216 - 41 ... - 455M4 |
| | | | 25 | 7,5 | 5,5 | H220 - 41 ... - 455M4 |
| | | | 32 | 11 | 7,5 | H226 - 41 ... - 455M4 |
| | | | 40 | 15 | 11 | H233 - 41 ... - 455M4 |
| | | | 63 | 22 | 18,5 | H263 - 41 ... - 455M4 |
| SMD modules for basic switch A02 | | | | | | BFA2 - 455 |
| | | | | | | BFB2 - 455 |
| | | | | | | 2CM1 |
| | | | | | | 2CM4 |
| | | | | | | FAZZ - 8041 |

| Dimensions (mm) | | | | | | | | | |
|-----------------|----|----|----|----|----|----|-----|----|----|
| Product lines | A | B | B1 | B2 | C1 | D1 | D2 | E | H |
| H200-A | 67 | 36 | 48 | 60 | 38 | 15 | 4,5 | 36 | 70 |
| H200-B | 67 | 50 | 69 | 88 | 38 | 15 | 4,5 | 36 | 72 |
| H200-D | 67 | 72 | 84 | 96 | 38 | 15 | 4,5 | 36 | 70 |

C¹) Internal depth, inside of door to top of DIN rail. Metal shaft is not included. Please order separately. See page B9-21.