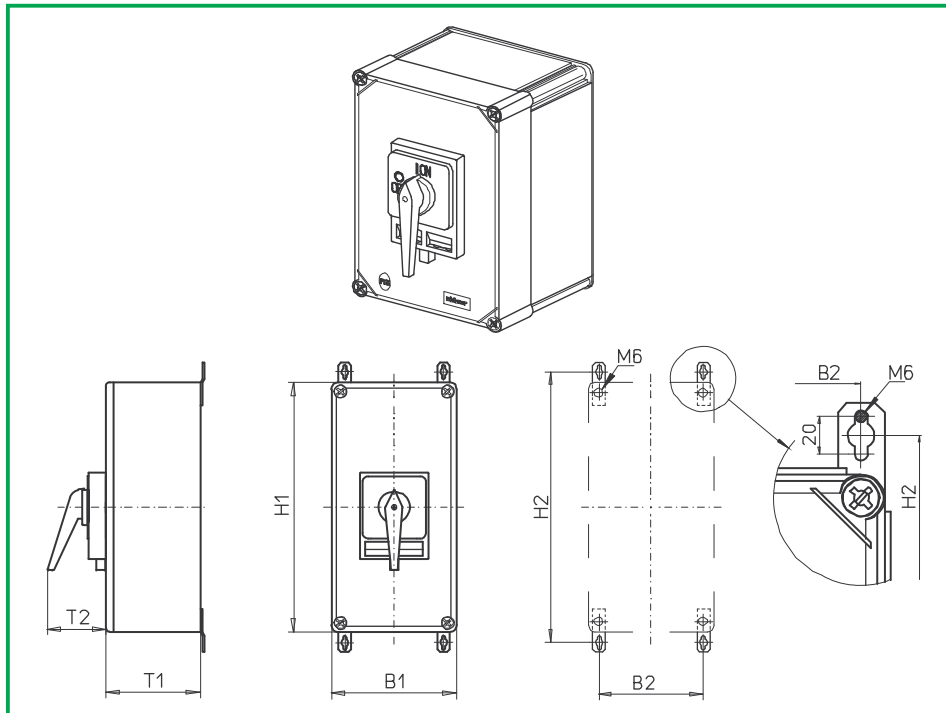


Enclosed Switches

sälzer



Product line
K830

Enclosed Switches

Insulated enclosures
640 x 320 x 330 mm

With cover interlock
in ON position

Cable entries
Blank gland plates

177H1 (IP66)

177H4 (IP66)

Complete Switch	Poles	Product lines	Rated Data (IEC 60947)			Order Code Number
			Operational current I _e	Operational power at 380–440V		
			AC-21A A	AC-23A kW	AC-3 kW	
Main Switches Switching angle 90° OFF position padlockable 09h	3 ... 8	K830	315	132	55	K830 - 41 ... - 177H1
Main/Emergency-Off Switches Switching angle 90° OFF position padlockable 09h	3 ... 8	K830	315	132	55	K830 - 41 ... - 177H4
SMD modules for switch module						
Mounting form module			K830			K830 - 41 ... - ED
Enclosure module, mounting form 177H1 H-padlock device black						PAK8 - 177H1
Enclosure module, mounting form 177H4 H-padlock device yellow/red						PAK8 - 177H4
Dimensions (mm)						
Product line	H1	H2	B1	B2	T1	T2
K830	640	680	320	293	330	93
Switching programmes						
41311, 41320, 41411, 41420 41600, 41611, 41620 41800	Main Switches and Main/Emergency-Off Switches					