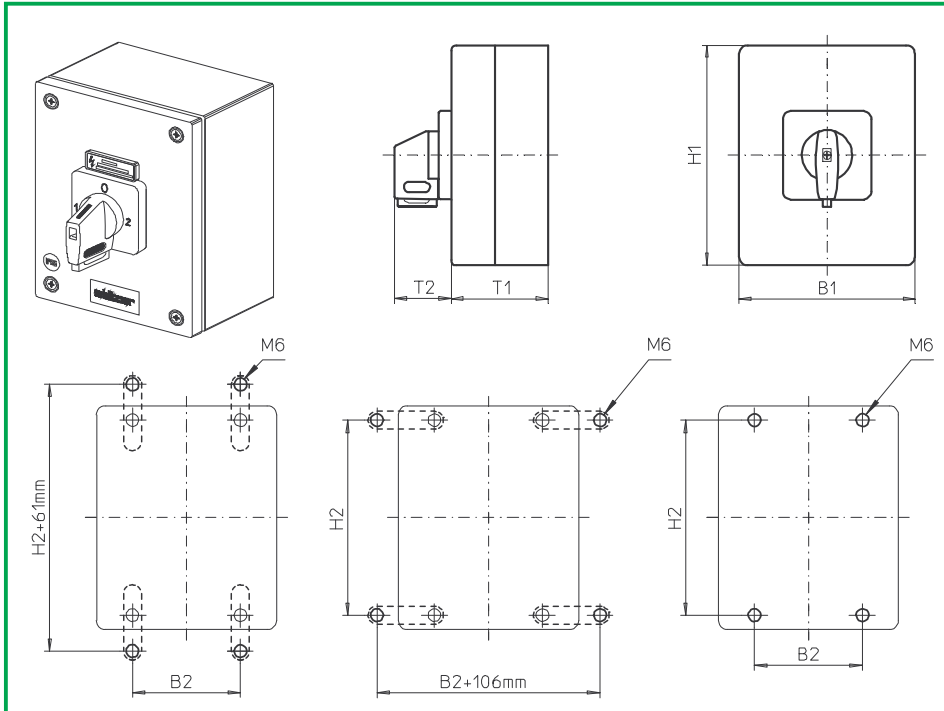


Enclosed Switches



**Product line
B200-E**

Enclosed switch

**Stainless steel
enclosure
brushed**

300 x 250 x 150 mm

With cover interlock
in ON position

196V1 (IP66)

198V1 (IP66)

Complete switch	Poles	Product lines	Rated data (IEC 60947)			Order code number
			Operational current I_e	Operational power at 380–440 V		
			AC-21A A	AC-23A kW	AC-3 kW	
Changeover with OFF Switching angle 90° OFF position padlockable 12h	3 ... 4	B200-E	50	18,5	15	B250 - 71 ... - 196V1
			63	22	18,5	B263 - 71 ... - 196V1
Changeover with OFF Switching angle 90° 3 positions padlockable (09h/12h/03h)	3 ... 4	B200-E	50	18,5	15	B250 - 71 ... - 198V1
			63	22	18,5	B263 - 71 ... - 198V1
SMD modules for basic switch A02						
Mounting form module (switch module ED)			B200-E			BFF2 - ED
Enclosure module, mounting form 196V1						SBB2 - 196V1
Enclosure module, mounting form 198V1						SBB2 - 198V1
Legend plate silver, enclosure modules 196V1/ 198V1						FAS4 - 9... (FA number)
Mounting brackets for enclosure modules SB (1 Set) (Please order separately – accessories see page D5-2)						SBX1
Dimensions (mm)						
Product line	H1	B1	T1	T2	H2	B2
B200-E	300	250	150	39	282	185