



## Mounting Form Table

**S600**  
**80 A up to 160 A**

### Section

<b>Front Mounting Switches</b>	<b>A</b>
<b>Base Mounting Switches</b>	<b>B</b>

Sälzer Electric GmbH  
Matthiasstraße 16  
57482 Wenden (Germany)  
[www.saelzer.com](http://www.saelzer.com)

Headquarters:  
Tel. +49 (0) 27 62 / 6 14-110  
Fax +49 (0) 27 62 / 6 14-100  
[sales@salzer.de](mailto:sales@salzer.de)

---

**Originator: Sälzer Electric GmbH · Product Data Management (PDM) · 09306 Rochlitz (Germany)**  
Copyright reserved by Sälzer Electric GmbH. This document replaces all previous issues.  
Valid until a new version is published. Changes and revisions reserved.

# Mounting Form Table



Mtg. forms	Pages	Mtg. forms	Pages	Mtg. forms	Pages	Mtg. forms	Pages
002M1	B1-1 (42)	034M1	B1-9 (50)	044H1	B1-8 (49)	609M1	A1-25 (27)
002G1	B1-2 (43)	034M4	B1-9 (50)	044H4	B1-8 (49)	609G1	A1-26 (28)
003M1	A1-1 (4)	034N1	B1-10 (51)	060M1	A1-13 (16)	612M1	A1-15 (29)
003G1	A1-2 (5)	034N4	B1-10 (51)	103M1	A1-6 (9)	612G1	A1-16 (30)
003H1	A1-3 (6)	034H1	B1-11 (52)	103G1	A1-7 (10)	613M1	A1-19 (31)
004H1	A1-3 (6)	034H4	B1-11 (52)	113G1	A1-8 (11)	613G1	A1-20 (32)
012G1	B1-3 (44)	036H1	A1-12 (15)	602M1	A1-15 (17)	614M1	A1-23 (33)
013G1	A1-4 (7)	036H4	A1-12 (15)	602G1	A1-16 (18)	614G1	A1-24 (34)
013H1	A1-6 (8)	040H1	B1-4 (45)	603M1	A1-19 (19)	617M1	A1-17 (35)
014H1	A1-6 (8)	041M1	B1-5 (46)	603G1	A1-20 (20)	617G1	A1-18 (36)
033M1	A1-9 (12)	041G1	B1-6 (47)	604M1	A1-23 (21)	618M1	A1-34 (37)
033M4	A1-9 (12)	041H1	B1-7 (48)	604G1	A1-24 (22)	618G1	A1-35 (38)
033N1	A1-10 (13)	042M1	B1-12 (53)	607M1	A1-17 (23)	619M1	A1-36 (39)
033N4	A1-10 (13)	042G1	B1-13 (54)	607G1	A1-18 (24)	619G1	A1-37 (40)
033H1	A1-11 (14)	042H1	B1-14 (55)	608M1	A1-21 (25)		
033H4	A1-11 (14)	043H1	B1-15 (56)	608G1	A1-22 (26)		



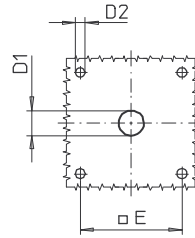
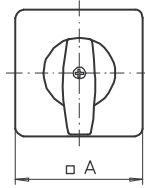
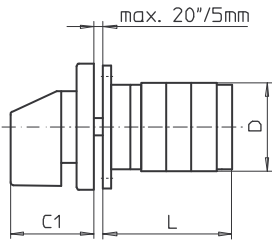
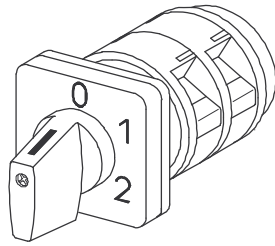
## Section A

	Page	
	from	to
<b>Four hole mounting</b>	<b>A1-1</b>	<b>A1-13</b>
<b>Solenoid Lock Device Interlocked when solenoid is de-energised</b>	<b>A1-14</b>	<b>A1-25</b>
<b>Solenoid Lock Device Interlocked when solenoid is energised</b>	<b>A1-26</b>	<b>A1-37</b>

---

**Originator: Sälzer Electric GmbH · Product Data Management (PDM) · 09306 Rochlitz (Germany)**  
Copyright reserved by Sälzer Electric GmbH. This document replaces all previous issues.  
Valid until a new version is published. Changes and revisions reserved.

# Front mounting switch



**Product line**  
**S600**

**Front mounting switch**

**Four hole mounting**  
68 x 68 mm

**M-operator module**  
88 x 88 mm escutcheon

**003M1 (IP55)**

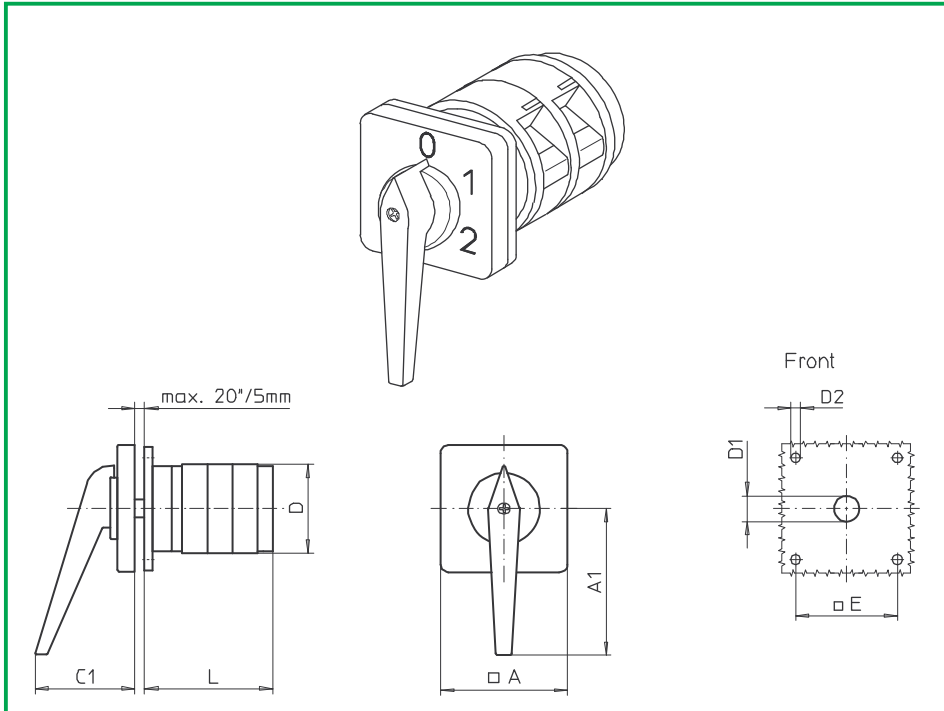
Complete switch	Poles	Product lines	Rated data (IEC 60947)			Order code number
			Operational current I <sub>e</sub>	Operational power at 380–440 V		
			AC-21A A	AC-23A kW	AC-3 kW	
Rotary Cam Switches Switching angle 30°/45°/60°/90°	1 ... 24	S600	80 100 160	45 55 75	30 37 45	<b>S606 - 61 ... - 003M1</b> <b>S608 - 61 ... - 003M1</b> <b>S612 - 61 ... - 003M1</b>

SMD modules for basic switch (A33)			
Mounting form module for 003M1		S600	<b>BFA6 - 003</b>
M-operator module 88 x 88 mm, mounting form 003M1			<b>6AM1</b>
Starting position of the handle 09h			
Escutcheon black, M-handle black			
M-operator module 88 x 88 mm, mounting form 003M1			<b>6BM1</b>
Starting position of the handle 12h			
Escutcheon black, M-handle black			
Legend plate silver, operator module 003M1			<b>FAS6 - .... (FA number)</b>

Type	Dimensions (mm)						L with ... stages (max. 12)							each add. stage
	A	C1	D	D1	D2	E	1	2	3	4	5	6	7	
S606	88	52	84	15	5,5	68	59	81	103	125	147	169	191	22
S608	88	52	88	15	5,5	68	66	92	118	144	170	196	222	26
S612	88	52	88	15	5,5	68	72	104	136	168	200	232	264	32

# Front mounting switch

# sälzer



**Product line**  
**S600**

**Front mounting switch**

**Four hole mounting**  
68 x 68 mm

**G-operator module**  
88 x 88 mm escutcheon

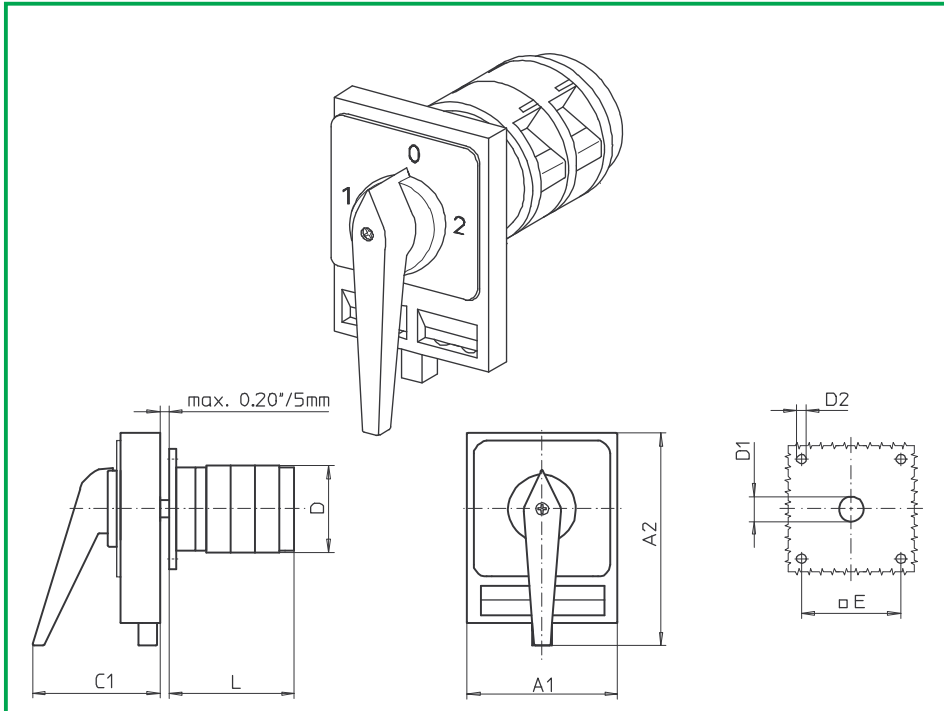
**003G1 (IP55)**

Complete switch	Poles	Product lines	Rated data (IEC 60947)			Order code number
			Operational current I <sub>e</sub>	Operational power at 380–440 V		
			AC-21A A	AC-23A kW	AC-3 kW	
Rotary Cam Switches Switching angle 30°/45°/60°/90°	1 ... 24	S600	80 100 160	45 55 75	30 37 45	<b>S606 - 61 ... - 003G1</b> <b>S608 - 61 ... - 003G1</b> <b>S612 - 61 ... - 003G1</b>

SMD modules for basic switch (A33)			
Mounting form module for 003G1		S600	<b>BFA6 - 003</b>
G-operator module 88 x 88 mm, mounting form 003G1			<b>6AG1</b>
Starting position of the handle 09h			
Escutcheon black, G-handle black			
G-operator module 88 x 88 mm, mounting form 003G1			<b>6BG1</b>
Starting position of the handle 12h			
Escutcheon black, G-handle black			
Legend plate silver, operator module 003G1			<b>FAS6 - .... (FA number)</b>

Dimensions (mm)														
Type	A	A1	C1	D	D1	D2	E	L with ... stages (max. 12)						each add. stage
								1	2	3	4	5	6	
S606	88	86	66	84	15	5,5	68	59	81	103	125	147	169	22
S608	88	86	66	88	15	5,5	68	66	92	118	144	170	196	26
S612	88	86	66	88	15	5,5	68	72	104	136	168	200	232	32

# Front mounting switch



**Product line**  
**S600**

**Front mounting switch**

**Four hole mounting**  
68 x 68 mm

**H-padlock device**  
98 x 142 mm

**003H1 (IP55)**

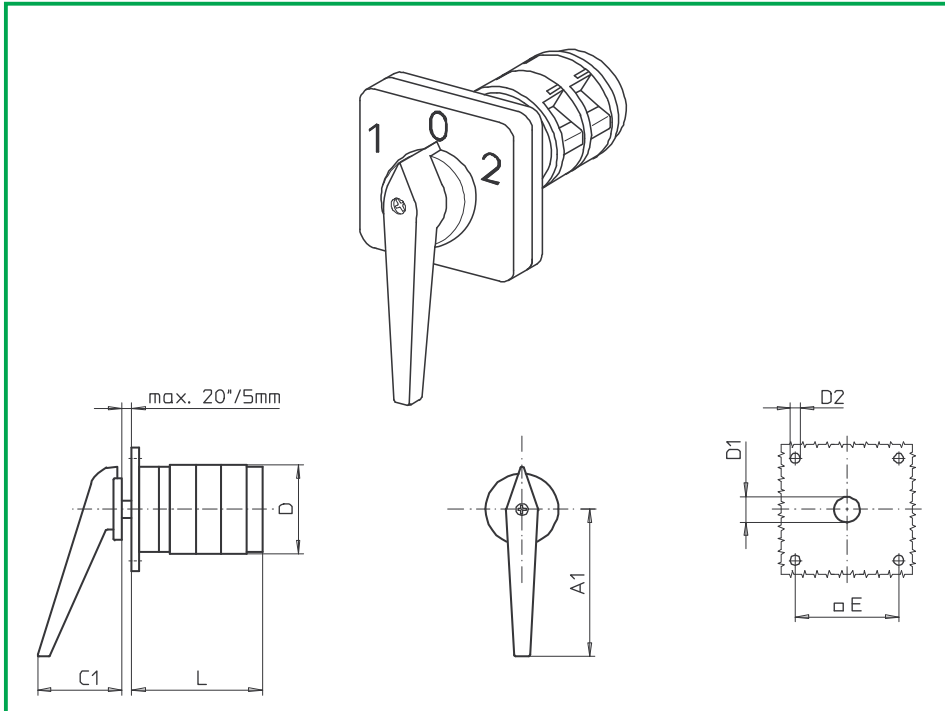
**004H1 (IP55)**

Complete switch	Poles	Product lines	Rated data (IEC 60947)			Order code number
			Operational current I <sub>e</sub>	Operational power at 380–440 V		
			AC-21A A	AC-23A kW	AC-3 kW	
Rotary Cam Switches Switching angle 60°/90° padlockable 12h	1 ... 24	S600	80	45	30	<b>S606 - 61 ... - 003H1</b>
			100	55	37	<b>S608 - 61 ... - 003H1</b>
			160	75	45	<b>S612 - 61 ... - 003H1</b>
Rotary Cam Switches Switching angle 60°/90° padlockable 09h/12h/03h/06h	1 ... 24	S600	80	45	30	<b>S606 - 61 ... - 004H1</b>
			100	55	37	<b>S608 - 61 ... - 004H1</b>
			160	75	45	<b>S612 - 61 ... - 004H1</b>

SMD modules for basic switch (A33)			
Mounting form module for 003H1/004H1		S600	<b>BFA6 - 003</b>
H-padlock device black, mounting form 003H1			<b>6EH1-12</b>
Starting position of the handle 12h, Escutcheon black, handle black			
H-padlock device black, mounting form 004H1			<b>6EH1-99</b>
Starting position of the handle 12h, Escutcheon black, handle black			
Legend plate silver, operator modules 003H1/004H1			<b>FAS6 - .... (FA number)</b>

Dimensions (mm)														
Type	A1	A2	C1	D	D1	D2	E	L with ... stages (max. 12)						each add. stage
								1	2	3	4	5	6	
S606	98	142	83	84	15	5,5	68	59	83	103	125	147	169	22
S608	98	142	83	88	15	5,5	68	66	95	118	144	170	196	26
S612	98	142	83	88	15	5,5	68	72	107	136	168	200	232	32

# Front mounting switch



**Product line**  
**S600**

**Front mounting switch**  
Operator module of next size

**Four hole mounting**  
104 x 104 mm

**G-operator module**  
130 x 130 mm escutcheon

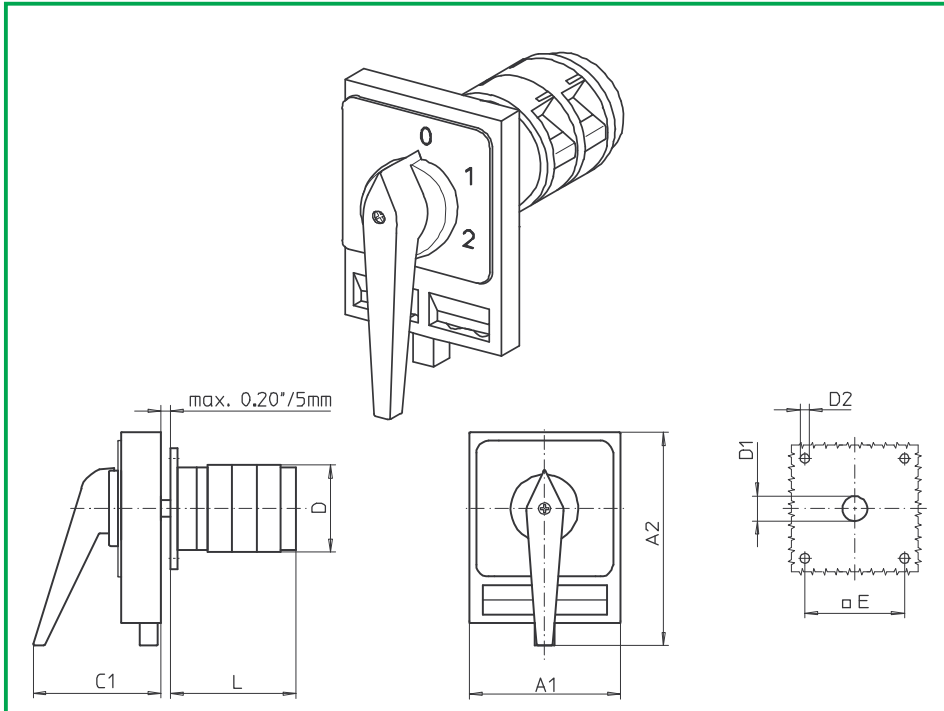
**013G1 (IP55)**

Complete switch	Poles	Product lines	Rated data (IEC 60947)			Order code number
			Operational current I <sub>e</sub>	Operational power at 380–440 V		
			AC-21A A	AC-23A kW	AC-3 kW	
Rotary Cam Switches Switching angle 30°/45°/60°/90°	1 ... 24	S600	80 100 160	45 55 75	30 37 45	<b>S606 - 61 ... - 013G1</b> <b>S608 - 61 ... - 013G1</b> <b>S612 - 61 ... - 013G1</b>

SMD modules for basic switch (A45)						
Mounting form module for 013G1				S600		<b>BFA6 - 013</b>
G-operator module 130 x 130 mm, mounting form 013G1						<b>8CG1</b>
Starting position of the handle 09h						
Escutcheon black, G-handle black						
G-operator module 130 x 130mm, mounting form 013G1						<b>8DG1</b>
Starting position of the handle 12h						
Escutcheon black, G-handle black						
Legend plate silver, operator module 013G1						<b>FAS8 - .... (FA number)</b>

Dimensions (mm)														
Type	A	A1	C1	D	D1	D2	E	L with ... stages (max. 12)						each add. stage
								1	2	3	4	5	6	
S606	130	117	74	84	20	5,5	104	61	83	105	127	149	171	22
S608	130	117	74	88	20	5,5	104	68	94	120	146	172	198	26
S612	130	117	74	88	20	5,5	104	74	106	138	170	202	234	32

# Front mounting switch



**Product line**  
**S600**

**Front mounting switch**  
Operator module of next size

**Four hole mounting**  
104 x 104 mm

**H-padlock device**  
130 x 176 mm

**013H1 (IP55)**

**014H1 (IP55)**

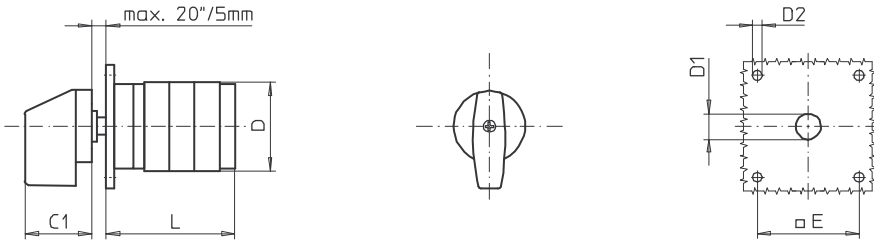
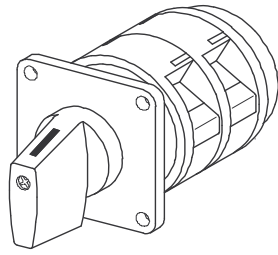
Complete switch	Poles	Product lines	Rated data (IEC 60947)			Order code number
			Operational current I <sub>e</sub>	Operational power at 380–440 V		
			AC-21A A	AC-23A kW	AC-3 kW	
Rotary Cam Switches Switching angle 60°/90° padlockable 12h	1 ... 24	S600	80	45	30	<b>S606 - 61 ... - 013H1</b>
			100	55	37	<b>S608 - 61 ... - 013H1</b>
			160	75	45	<b>S612 - 61 ... - 013H1</b>
Rotary Cam Switches Switching angle 60°/90° padlockable 09h/12h/03h/06h	1 ... 24	S600	80	45	30	<b>S606 - 61 ... - 014H1</b>
			100	55	37	<b>S608 - 61 ... - 014H1</b>
			160	75	45	<b>S612 - 61 ... - 014H1</b>

SMD modules for basic switch (A63)			
Mounting form module for 013H1/014H1		S600	<b>BFA6 - 013</b>
H-padlock device black, mounting form 013H1			<b>8GH1-12</b>
Starting position of the handle 12h			
Escutcheon black, handle black			
H-padlock device black, mounting form 014H1			<b>8GH1-99</b>
Starting position of the handle 12h			
Escutcheon black, handle black			
Legend plate silver, operator module 013H1			<b>FAS8 - .... (FA number)</b>

Type	Dimensions (mm)							L with ... stages (max. 12)						each add. stage
	A1	A2	C1	D	D1	D2	E	1	2	3	4	5	6	
S606	130	176	93	84	20	5,5	104	59	81	103	125	147	169	22
S608	130	176	93	88	20	5,5	104	66	92	118	144	170	196	26
S612	130	176	93	88	20	5,5	104	72	104	136	168	200	232	32



# Front mounting switch



**Product line**  
**S600**

**Front mounting switch**

**Four hole mounting**  
68 x 68 mm

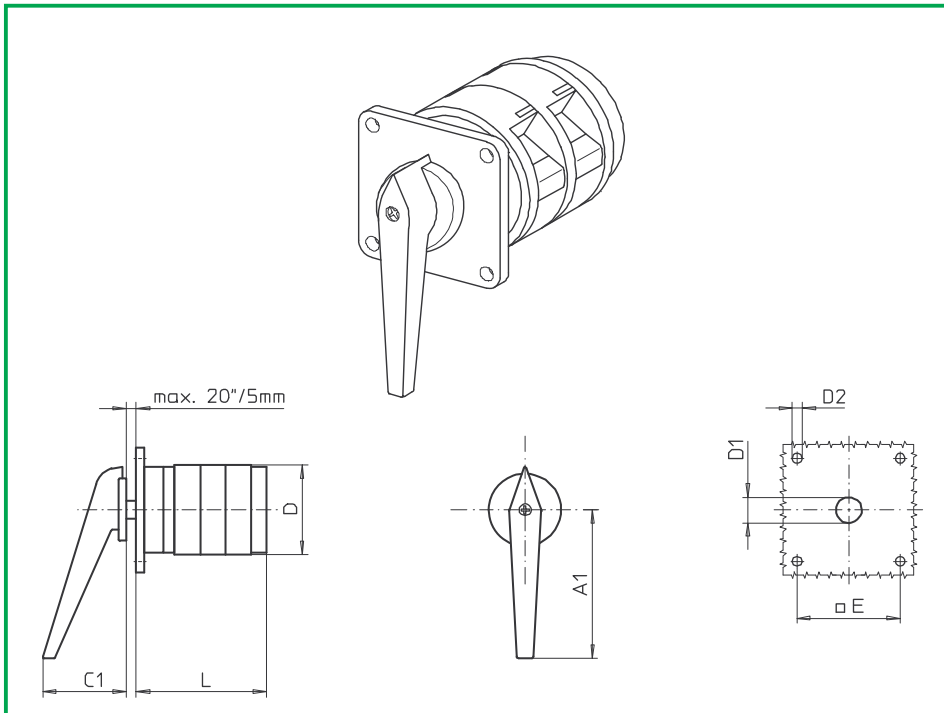
Shaft shortened by 5 mm

**103M1 (IP55)**

Complete switch	Poles	Product lines	Rated data (IEC 60947)			Order code number								
			Operational current I <sub>e</sub>	Operational power at 380–440 V										
			AC-21A A	AC-23A kW	AC-3 kW									
Rotary Cam Switches Switching angle 30°/45°/60°/90°	1 ... 24	S600	80 100 160	45 55 75	30 37 45	<b>S606 - 61 ... - 103M1</b> <b>S608 - 61 ... - 103M1</b> <b>S612 - 61 ... - 103M1</b>								
<b>SMD modules for basic switch (A28)</b>														
Mounting form module for 103M1			S600			<b>BFA6 - 003</b>								
M-operator module, mounting form 103M1 Starting position of the handle 09h, M-handle black						<b>6XM1-09</b>								
M-operator module, mounting form 103M1 Starting position of the handle 12h, M-handle black						<b>6XM1-12</b>								
<b>Dimensions (mm)</b>														
Type	C1	D	D1	D2	E	L with ... stages (max. 12)								each add. stage
						1	2	3	4	5	6	7	8	
S606	42	84	15	5,5	68	59	81	103	125	147	169	191	213	22
S608	42	88	15	5,5	68	66	92	118	144	170	196	222	248	26
S612	42	88	15	5,5	68	72	104	136	168	200	232	264	296	32

# Front mounting switch

**sälzer**



**Product line  
S600**

**Front mounting switch**

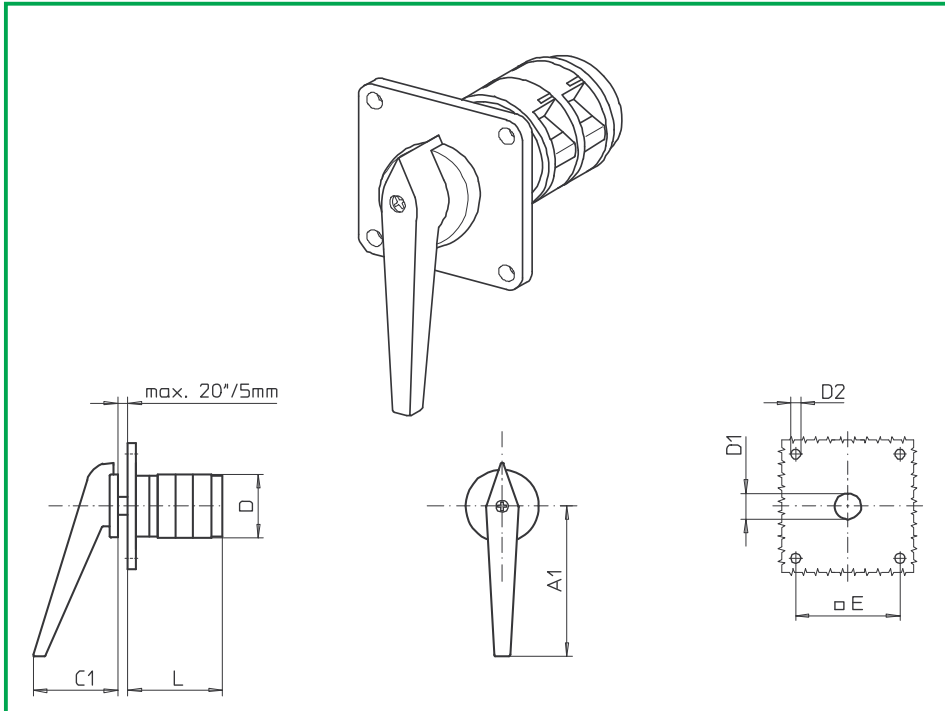
**Four hole mounting  
68 x 68 mm**

Shaft shortened by 5 mm

**103G1 (IP55)**

Complete switch	Poles	Product lines	Rated data (IEC 60947)			Order code number								
			Operational current I <sub>e</sub>	Operational power at 380–440 V										
			AC-21A A	AC-23A kW	AC-3 kW									
Rotary Cam Switches Switching angle 30°/45°/60°/90°	1 ... 24	S600	80 100 160	45 55 75	30 37 45	<b>S606 - 61 ... - 103G1</b> <b>S608 - 61 ... - 103G1</b> <b>S612 - 61 ... - 103G1</b>								
<b>SMD modules for basic switch (A28)</b>														
Mounting form module for 103G1			S600			<b>BFA6 - 003</b>								
M-operator module, mounting form 103G1 Starting position of the handle 09h, G-handle black						<b>6XG1-09</b>								
M-operator module, mounting form 103G1 Starting position of the handle 12h, G-handle black						<b>6XG1-12</b>								
<b>Dimensions (mm)</b>														
Type	A1	C1	D	D1	D2	E	L with ... stages (max. 12)							each add. stage
							1	2	3	4	5	6	7	
S606	86	54	84	15	5,5	68	59	81	103	125	147	169	191	22
S608	86	54	88	15	5,5	68	66	92	118	144	170	196	222	26
S612	86	54	88	15	5,5	68	72	104	136	168	200	232	264	32

# Front mounting switch



**Product line**  
**S600**

**Front mounting switch**  
Operator module of next size

**Four hole mounting**  
104 x 104 mm

Shaft shortened by 12 mm

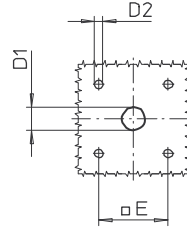
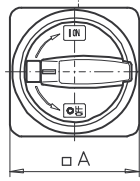
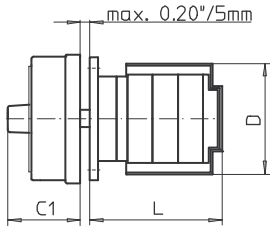
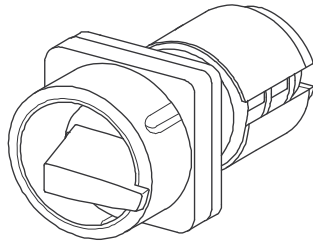
**113G1 (IP55)**

Complete switch	Poles	Product lines	Rated data (IEC 60947)			Order code number
			Operational current I <sub>e</sub>	Operational power at 380–440 V		
			AC-21A A	AC-23A kW	AC-3 kW	
Rotary Cam Switches Switching angle 30°/45°/60°/90°	1 ... 24	S600	80 100 160	45 55 75	30 37 45	<b>S606 - 61 ... - 113G1</b> <b>S608 - 61 ... - 113G1</b> <b>S612 - 61 ... - 113G1</b>

SMD modules for basic switch (A33)			
Mounting form module for 113G1		S600	<b>BFA6 - 013</b>
G-operator module, mounting form 113G1 Starting position of the handle 09h, G-handle black			<b>8YG1-09</b>
G-operator module, mounting form 113G1 Starting position of the handle 12h, G-handle black			<b>8YG1-12</b>

Dimensions (mm)														
Type	A1	C1	D	D1	D2	E	L with ... stages (max. 12)							each add. stage
							1	2	3	4	5	6	7	
S606	117	62	84	20	5,5	104	61	83	105	127	149	171	193	22
S608	117	62	88	20	5,5	104	68	94	120	146	172	198	224	26
S612	117	62	88	20	5,5	104	74	106	138	170	202	234	266	32

# Front mounting switch



**Product line**  
**S600**

**Front mounting switch**

**Four hole mounting**  
68 x 68 mm

**M-padlock device**  
88 x 88 mm

**033M1 (IP55)**

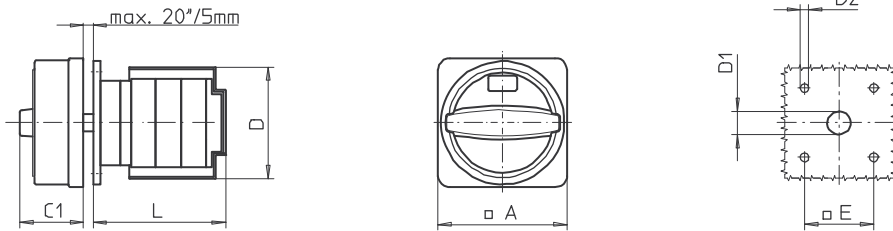
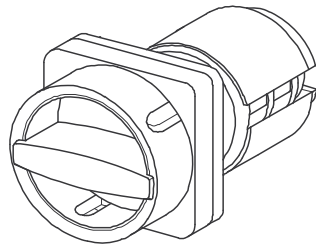
**033M4 (IP55)**

Complete switch	Poles	Product lines	Rated data (IEC 60947)			Order code number
			Operational current I <sub>e</sub>	Operational power at 380–440 V		
			AC-21A A	AC-23A kW	AC-3 kW	
Main Switches Switching angle 90° OFF position padlockable 09h	3 ... 8	S600	80	45	30	<b>S606 - 61 ... - 033M1</b>
			100	55	37	<b>S608 - 61 ... - 033M1</b>
			160	75	45	<b>S612 - 61 ... - 033M1</b>
Main/Emergency-Off Switches Switching angle 90° OFF position padlockable 09h	3 ... 8	S600	80	45	30	<b>S606 - 61 ... - 033M4</b>
			100	55	37	<b>S608 - 61 ... - 033M4</b>
			160	75	45	<b>S612 - 61 ... - 033M4</b>

SMD modules for basic switch (A33)			
Mounting form module for 033M.		S600	<b>BFA6 - 003</b>
M-padlock device 88 x 88 mm, mounting form 033M1 Escutcheon black, padlockable handle black			<b>6KM1</b>
M-padlock device 88 x 88 mm, mounting form 033M4 Escutcheon yellow, padlockable handle red			<b>6KM4</b>
Terminal covers (2x)		2 contact stages 3 contact stages	S606,S608    S612 <b>TCE6    TCD6</b> <b>TCD6    TCB6</b>

Dimensions (mm)														
Type	A	C1	D	D1	D2	E	L with ... stages (max. 4)							each add. stage
							1	2	3	4	5	6	7	
S606	88	50	100	15	5,5	68	-	83	105	127	-	-	-	-
S608	88	50	100	15	5,5	68	-	95	121	147	-	-	-	-
S612	88	50	100	15	5,5	68	-	107	139	171	-	-	-	-

# Front mounting switch



**Product line**  
**S600**

**Front mounting switch**

**Four hole mounting**  
68 x 68 mm

**N-padlock device**  
88 x 88 mm

**033N1 (IP55)**

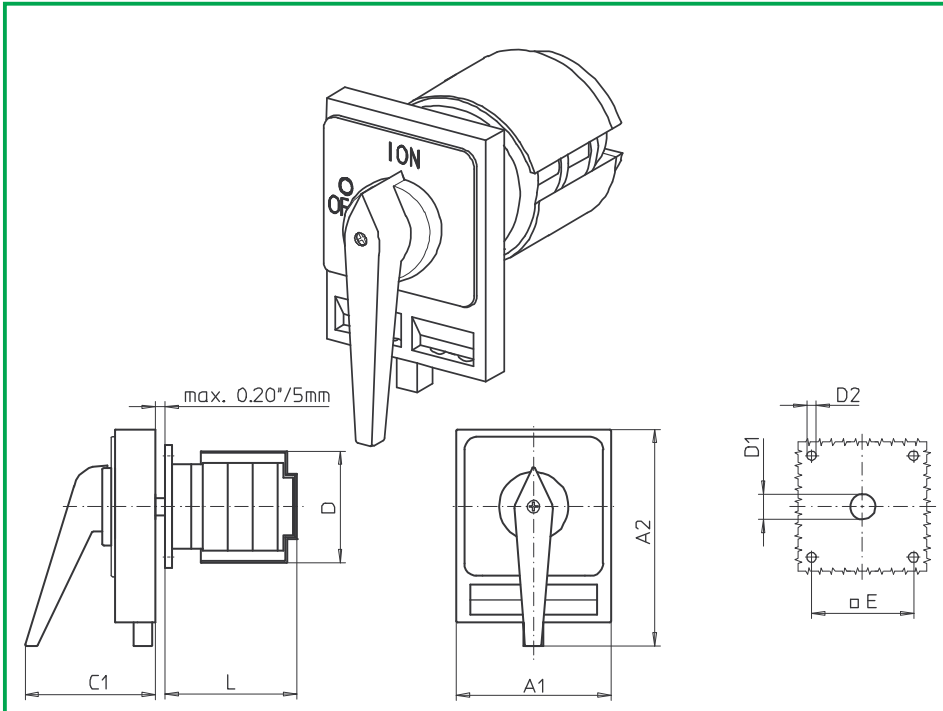
**033N4 (IP55)**

Complete switch	Poles	Product lines	Rated data (IEC 60947)			Order code number
			Operational current $I_e$	Operational power at 380–440 V		
			AC-21A A	AC-23A kW	AC-3 kW	
Main Switches Switching angle 90° OFF position padlockable 09h	3 ... 8	S600	80	45	30	<b>S606 - 61 ... - 033N1</b>
			100	55	37	<b>S608 - 61 ... - 033N1</b>
			160	75	45	<b>S612 - 61 ... - 033N1</b>
Main/Emergency-Off Switches Switching angle 90° OFF position padlockable 09h	3 ... 8	S600	80	45	30	<b>S606 - 61 ... - 033N4</b>
			100	55	37	<b>S608 - 61 ... - 033N4</b>
			160	75	45	<b>S612 - 61 ... - 033N4</b>

SMD modules for basic switch (A33)			
Mounting form module for 033N.		S600	<b>BFA6 - 003</b>
N-padlock device 88 x 88 mm, mounting form 033N1 Escutcheon black, padlockable handle black			<b>6KN1</b>
N-padlock device 88 x 88 mm, mounting form 033N4 Escutcheon yellow, padlockable handle red			<b>6KN4</b>
Terminal covers (2x)		2 contact stages 3 contact stages	S606,S608 <b>TCE6</b> <b>TCD6</b> S612 <b>TCD6</b> <b>TCB6</b>

Dimensions (mm)														
Type	A	C1	D	D1	D2	E	L with ... stages (max. 4)							each add. stage
							1	2	3	4	5	6	7	
S606	88	45	100	15	5,5	68	-	83	105	127	-	-	-	-
S608	88	45	100	15	5,5	68	-	95	121	147	-	-	-	-
S612	88	45	100	15	5,5	68	-	107	139	171	-	-	-	-

# Front mounting switch



**Product line**  
**S600**

**Front mounting switch**

**Four hole mounting**  
68 x 68 mm

**H-padlock device**  
98 x 142 mm

**033H1 (IP55)**

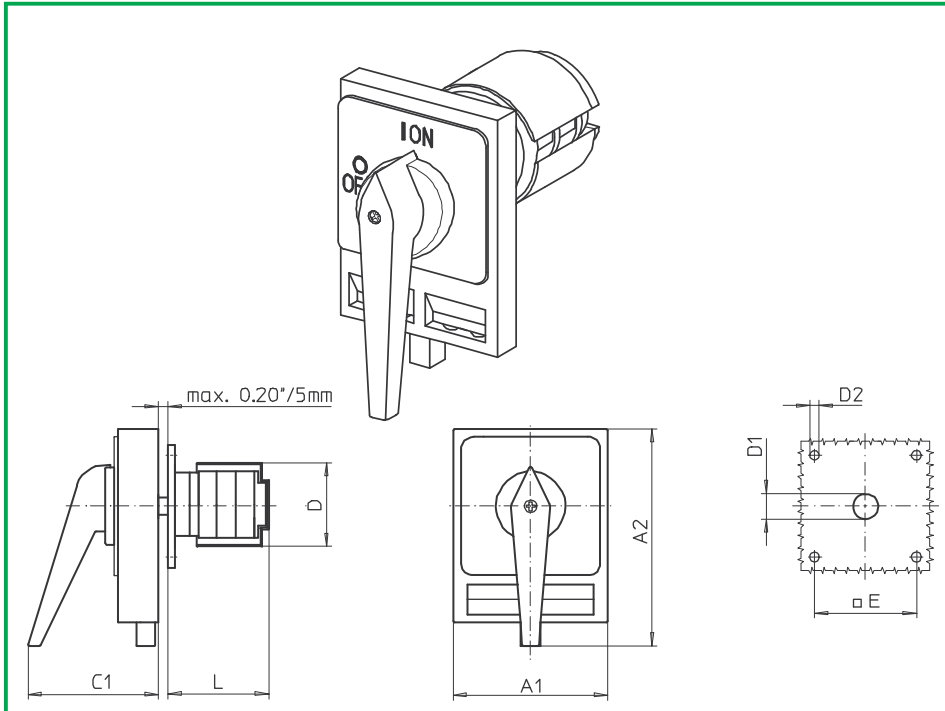
**033H4 (IP55)**

Complete switch	Poles	Product lines	Rated data (IEC 60947)			Order code number
			Operational current I <sub>e</sub>	Operational power at 380–440 V		
			AC-21A A	AC-23A kW	AC-3 kW	
Main Switches Switching angle 90° OFF position padlockable 09h	3 ... 8	S600	80	45	30	<b>S606 - 61 ... - 033H1</b>
			100	55	37	<b>S608 - 61 ... - 033H1</b>
			160	75	45	<b>S612 - 61 ... - 033H1</b>
Main/Emergency-Off Switches Switching angle 90° OFF position padlockable 09h	3 ... 8	S600	80	45	30	<b>S606 - 61 ... - 033H4</b>
			100	55	37	<b>S608 - 61 ... - 033H4</b>
			160	75	45	<b>S612 - 61 ... - 033H4</b>

SMD modules for basic switch (A33)			
Mounting form module for 033H.		S600	<b>BFA6 - 003</b>
H-padlock device black, mounting form 033H1 Starting position of the handle 09h, H-handle black			<b>6CH1-09</b>
H-padlock device black, mounting form 033H4 Starting position of the handle 09h, H-handle red			<b>6CH4-09</b>
Legend plate silver, mounting form 033H1			<b>FAS6 - .... (FA number)</b>
Legend plate yellow, mounting form 033H4			<b>FBS6 - .... (FA number)</b>
Additional legend plate			<b>FAZ2-8041</b>
Terminal covers (2x)		2 contact stages 3 contact stages	S606,S608    S612 <b>TCE6    TCD6</b> <b>TCD6    TCB6</b>

Dimensions (mm)														
Type	A1	A2	C1	D	D1	D2	E	L with ... stages (max. 4)						each add. stage
								1	2	3	4	5	6	
S606	98	142	83	100	15	5,5	68	-	83	105	127	-	-	-
S608	98	142	83	100	15	5,5	68	-	95	121	147	-	-	-
S612	98	142	83	100	15	5,5	68	-	107	139	171	-	-	-

# Front mounting switch



**Product line**  
**S600**

**Front mounting switch**  
Operator module of next size

**Four hole mounting**  
104 x 104 mm

**H-padlock device**  
130 x 176 mm

**036H1 (IP55)**  
**036H4 (IP55)**

Complete switch	Poles	Product lines	Rated data (IEC 60947)			Order code number
			Operational current I <sub>e</sub>	Operational power at 380–440 V		
			AC-21A A	AC-23A kW	AC-3 kW	
Main Switches Switching angle 90° OFF position padlockable 09h	3 ... 8	S600	80	45	30	<b>S606 - 61 ... - 036H1</b>
			100	55	37	<b>S608 - 61 ... - 036H1</b>
			160	75	45	<b>S612 - 61 ... - 036H1</b>
Main/Emergency-Off Switches Switching angle 90° OFF position padlockable 09h	3 ... 8	S600	80	45	30	<b>S606 - 61 ... - 036H4</b>
			100	55	37	<b>S608 - 61 ... - 036H4</b>
			160	75	45	<b>S612 - 61 ... - 036H4</b>

SMD modules for basic switch (A63)			
Mounting form module for 036H.		S600	<b>BFA6 - 013</b>
H-padlock device black, mounting form 036H1 Starting position of the handle 09h, H-handle black			<b>8FH1-09</b>
H-padlock device black, mounting form 036H4 Starting position of the handle 09h, H-handle red			<b>8FH4-09</b>
Legend plate silver, mounting form 036H1			<b>FAS8 - .... (FA number)</b>
Legend plate yellow, mounting form 036H4			<b>FBS8 - .... (FA number)</b>
Terminal covers (2x)		2 contact stages 3 contact stages	S606,S608 S612 <b>TCE6 TCD6</b> <b>TCD6 TCB6</b>

Dimensions (mm)														
Type	A1	A2	C1	D	D1	D2	E	L with ... stages (max. 4)						each add. stage
								1	2	3	4	5	6	
S606	130	176	93	100	20	5,5	68	-	83	105	127	-	-	-
S608	130	176	93	100	20	5,5	68	-	95	121	147	-	-	-
S612	130	176	93	100	20	5,5	68	-	107	139	171	-	-	-

# Front mounting switch

# sälzer

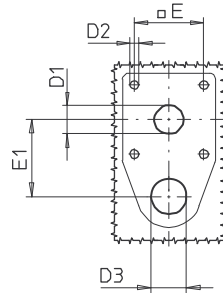
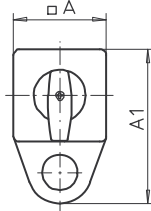
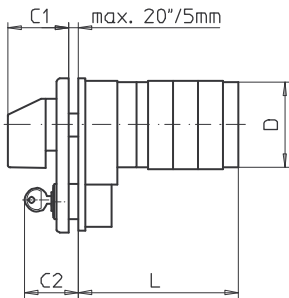
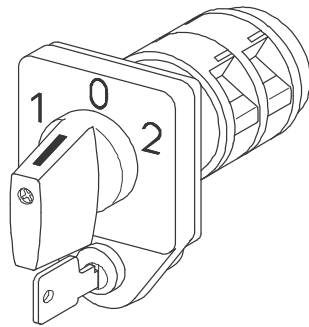
**Product line**  
**S600**

**Front mounting switch**  
With Cylinder lock device  
Key number CL1

**Four hole mounting**  
68 x 68 mm

**M-operator module**  
88 x 88 mm escutcheon

**060M1 (IP40)**



Complete switch	Poles	Product lines	Rated data (IEC 60947)			Order code number
			Operational current I <sub>e</sub>	Operational power at 380–440 V		
			AC-21A A	AC-23A kW	AC-3 kW	
Rotary Cam Switches	1 ... 24	S600	80	45	30	<b>S606 - 61 ... - 060M1</b>
Switching angle 30°/45°/60°/90°			100	55	37	<b>S608 - 61 ... - 060M1</b>
			160	75	45	<b>S612 - 61 ... - 060M1</b>

Position "OFF" or start position locked

Other locking arrangements available; please specify upon request

2 keys, Key number CL1

Keylockable in selected positions

### SMD modules for basic switch (A49)

Mounting form module for 060M1

S600

**BFA6 - 060**

M-operator module, mounting form 060M1

**6MM1**

Starting position of the handle 09h  
Escutcheon black, M-handle black

Starting position of the handle 12h  
Escutcheon black, M-handle black

**6NM1**

Legend plate silver, operator module 060M1

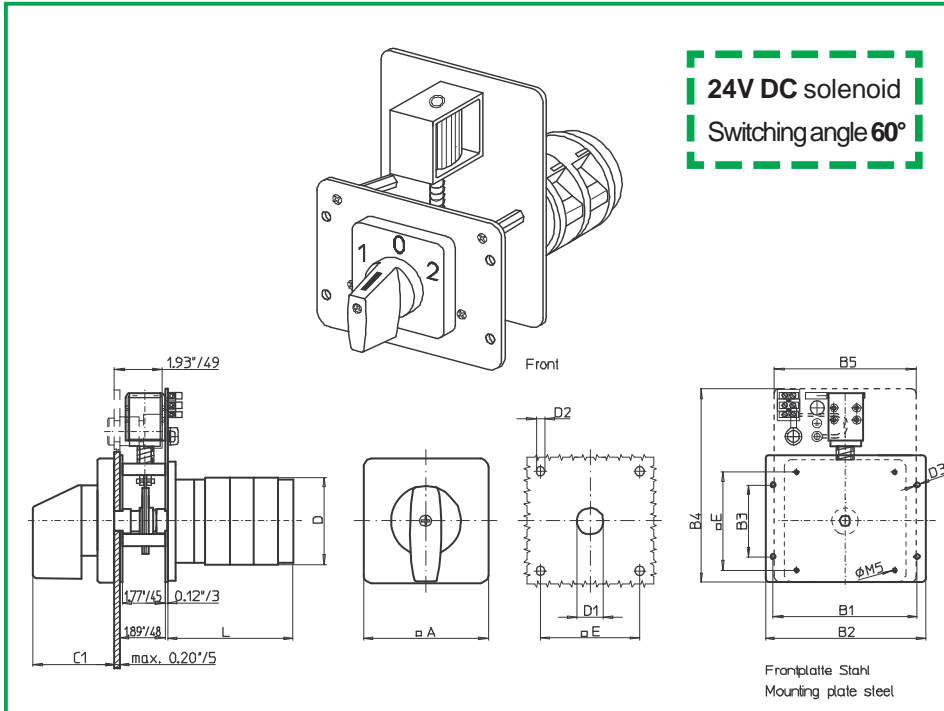
**FAS6 - .... (FA number)**

### Dimensions (mm)

Type	A	A1	C1	C2	D	D1	D2	D3	E	E1	L with ... stages (max. 12) each add.				stage
											1	2	3	4	
S606	88	118	52	42	84	15	5,5	19	68	58	73	95	117	139	22
S608	88	118	52	42	88	15	5,5	19	68	58	80	106	132	158	26
S612	88	118	52	42	88	15	5,5	19	68	58	86	118	150	182	32



# Front mounting switch



**24V DC solenoid**  
**Switching angle 60°**

**Product line**  
**S600**

**Front mounting switch**

Solenoid lock device  
Solenoid 24V DC

**Interlock**

Solenoid de-energised

**Four hole mounting**

152,4mm x 76,2mm (6" x 3")

**M-operator module**

88 x 88 mm escutcheon

**602M1 (IP55)**

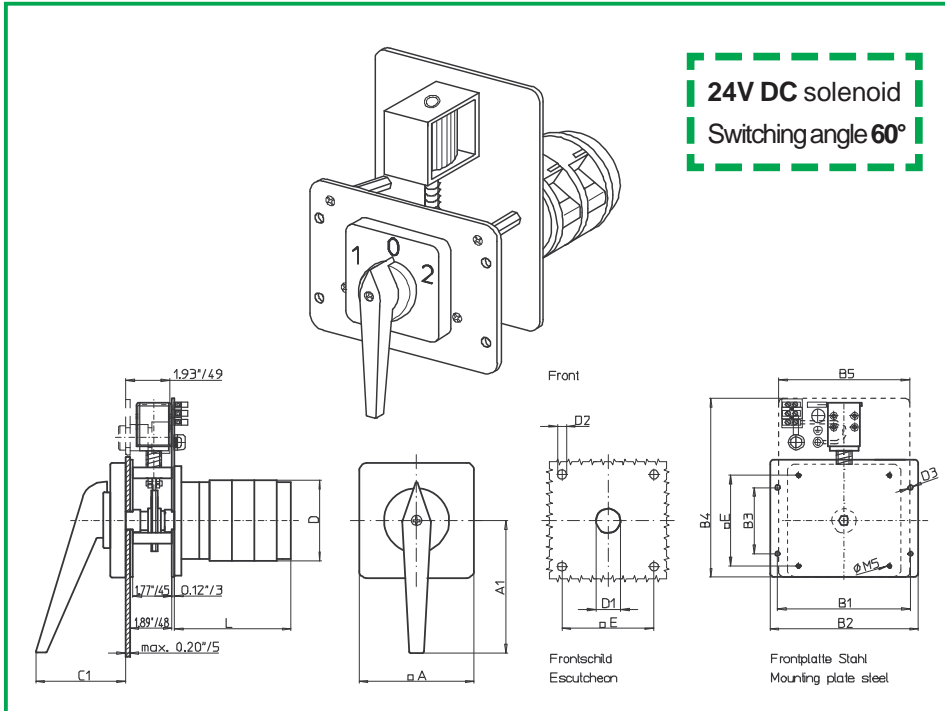
Complete switch	Poles	Product lines	Rated data (IEC 60947)			Order code number
			Operational current I <sub>e</sub>	Operational power at 380–440 V		
			AC-21A A	AC-23A kW	AC-3 kW	
Rotary Cam Switches	1 ... 24	S600	80	45	30	<b>S606 - 61 ... - 602M1</b>
Switching angle 60°			100	55	37	<b>S608 - 61 ... - 602M1</b>
padlockable in 60° steps			160	75	45	<b>S612 - 61 ... - 602M1</b>

SMD modules for basic switch (A84)			
Mounting form module for 602M1		S600	<b>BFA6-003</b>
Interlock module, mounting form 602M1			<b>ZVS6-DC024/60</b>
M-operator module 88 x 88 mm, mounting form 602M1			<b>6AM1</b>
Starting position of the handle 09h			
Escutcheon black, handle black			
M-operator module 88 x 88 mm, mounting form 602M1			<b>6BM1</b>
Starting position of the handle 12h			
Escutcheon black, handle black			
Legend plate silver, operator module 602M1			<b>FAS6 - .... (FA number)</b>

Dimensions (mm)														each add. stage
Type	A	B1	B2	B3	B4	B5	C1	D	D1	D2	D3	E	L*)	
S606	88	152,4	170	76,2	205	150	52	210	20	5,5	5,5	68	59	22
S608	88	152,4	170	76,2	205	150	52	210	20	5,5	5,5	68	66	26
S612	88	152,4	170	76,2	205	150	52	210	20	5,5	5,5	68	72	32

L\*) Dimension for switch with 1 contact stage

# Front mounting switch



**Product line**  
**S600**

**Front mounting switch**

Solenoid lock device  
Solenoid 24V DC

**Interlock**

Solenoid de-energised

**Four hole mounting**

152,4mm x 76,2mm (6" x 3")

**G-operator module**

88 x 88 mm escutcheon

**602G1 (IP55)**

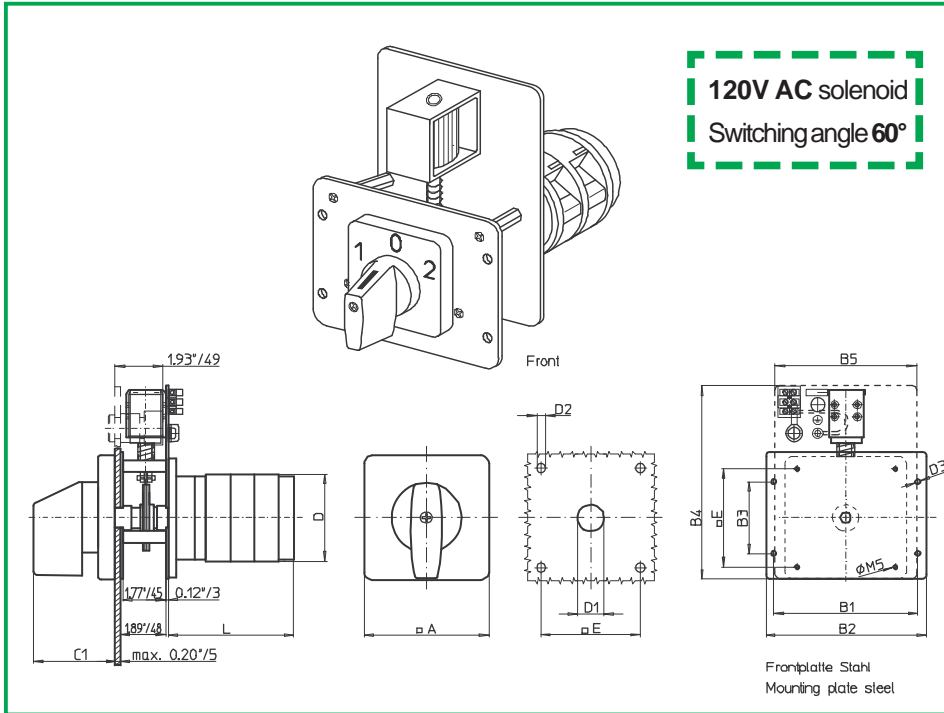
Complete switch	Poles	Product lines	Rated data (IEC 60947)			Order code number
			Operational current I <sub>e</sub>	Operational power at 380–440 V		
			AC-21A A	AC-23A kW	AC-3 kW	
Rotary Cam Switches Switching angle 60° padlockable in 60° steps	1 ... 24	S600	80 100 160	45 55 75	30 37 45	<b>S606 - 61 ... - 602G1</b> <b>S608 - 61 ... - 602G1</b> <b>S612 - 61 ... - 602G1</b>

SMD modules for basic switch (A84)		
Mounting form module for 602G1	S600	<b>BFA6-003</b>
Interlock module, mounting form 602G1		<b>ZVS6-DC024/60</b>
G-operator module 88 x 88 mm, mounting form 602G1		<b>6AG1</b>
Starting position of the handle 09h		
Escutcheon black, handle black		
G-operator module 88 x 88 mm, mounting form 602G1		<b>6BG1</b>
Starting position of the handle 12h		
Escutcheon black, handle black		
Legend plate silver, operator module 602G1		<b>FAS6 - .... (FA number)</b>

Dimensions (mm)															each add. stage
Type	A	A1	B1	B2	B3	B4	B5	C1	D	D1	D2	D3	E	L <sup>*)</sup>	
S606	88	86	152,4	170	76,2	205	150	74	210	20	5,5	5,5	68	59	22
S608	88	86	152,4	170	76,2	205	150	74	210	20	5,5	5,5	68	66	26
S612	88	86	152,4	170	76,2	205	150	74	210	20	5,5	5,5	68	72	32

L<sup>\*)</sup> Dimension for switch with 1 contact stage

# Front mounting switch



**Product line  
S600**

**Front mounting switch**  
Solenoid lock device  
Solenoid 120V AC  
**Interlock**  
Solenoid de-energised

**Four hole mounting**  
152,4mm x 76,2mm (6" x 3")

**M-operator module**  
88 x 88 mm escutcheon

**603M1 (IP55)**

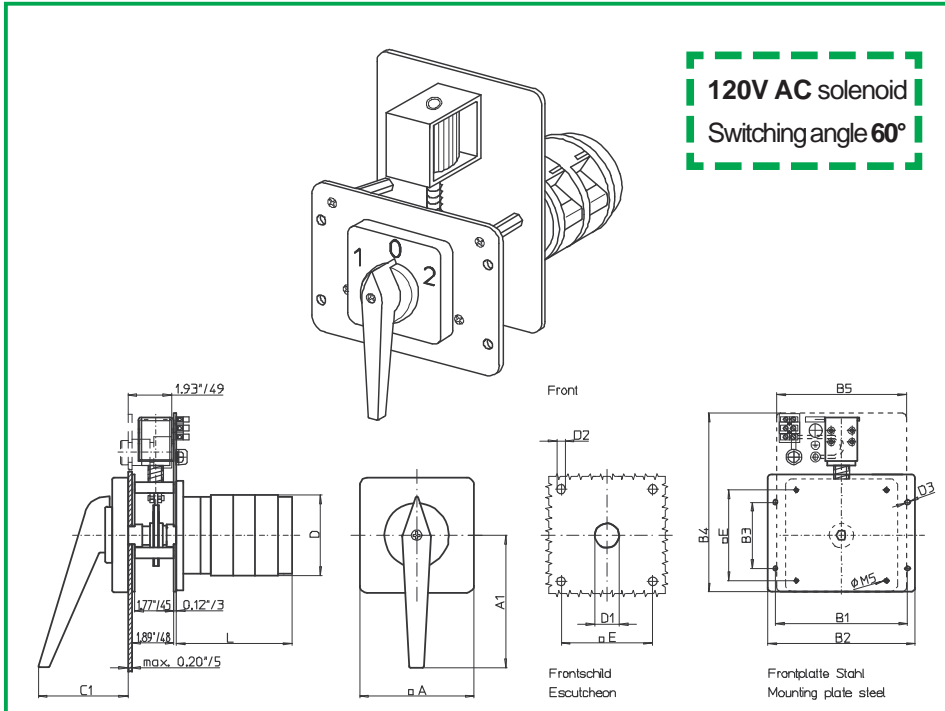
Complete switch	Poles	Product lines	Rated data (IEC 60947)			Order code number
			Operational current I <sub>e</sub>	Operational power at 380–440 V		
			AC-21A A	AC-23A kW	AC-3 kW	
Rotary Cam Switches Switching angle 60° padlockable in 60° steps	1 ... 24	S600	80 100 160	45 55 75	30 37 45	<b>S606 - 61 ... - 603M1</b> <b>S608 - 61 ... - 603M1</b> <b>S612 - 61 ... - 603M1</b>

SMD modules for basic switch (A84)		
Mounting form module for 603M1	S600	<b>BFA6-003</b>
Interlock module, mounting form 603M		<b>ZVS6-AC120/60</b>
M-operator module 88 x 88 mm, mounting form 603M1		<b>6AM1</b>
Starting position of the handle 09h Escutcheon black, handle black		
M-operator module 88 x 88 mm, mounting form 603M1		<b>6BM1</b>
Starting position of the handle 12h Escutcheon black, handle black		
Legend plate silver, operator module 603M1		<b>FAS6 - .... (FA number)</b>

Dimensions (mm)														each add. stage
Type	A	B1	B2	B3	B4	B5	C1	D	D1	D2	D3	E	L <sup>*)</sup>	
S606	88	152,4	170	76,2	205	150	52	210	20	5,5	5,5	68	59	22
S608	88	152,4	170	76,2	205	150	52	210	20	5,5	5,5	68	66	26
S612	88	152,4	170	76,2	205	150	52	210	20	5,5	5,5	68	72	32

L<sup>\*)</sup> Dimension for switch with 1 contact stage

# Front mounting switch



**120V AC solenoid**  
**Switching angle 60°**

**Product line**  
**S600**

**Front mounting switch**  
Solenoid lock device  
Solenoid 120V AC  
**Interlock**  
Solenoid de-energised

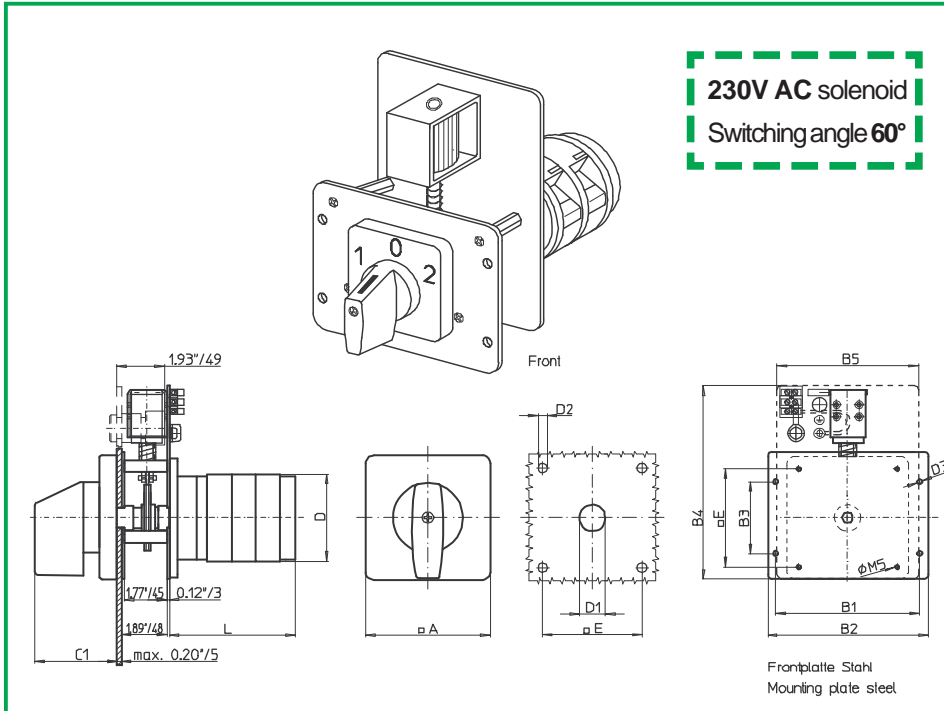
**Four hole mounting**  
152,4mm x 76,2mm (6" x 3")

**G-operator module**  
88 x 88 mm escutcheon

**603G1 (IP55)**

Complete switch	Poles	Product lines	Rated data (IEC 60947)			Order code number									
			Operational current I <sub>e</sub>	Operational power at 380–440 V											
			AC-21A A	AC-23A kW	AC-3 kW										
Rotary Cam Switches Switching angle 60° padlockable in 60° steps	1 ... 24	S600	80 100 160	45 55 75	30 37 45	<b>S606 - 61 ... - 603G1</b> <b>S608 - 61 ... - 603G1</b> <b>S612 - 61 ... - 603G1</b>									
<b>SMD modules for basic switch (A84)</b>															
Mounting form module for 603G1				S600		<b>BFA6-003</b>									
Interlock module, mounting form 603G1						<b>ZVS6-AC120/60</b>									
G-operator module 88 x 88 mm, mounting form 603G1						<b>6AG1</b>									
Starting position of the handle 09h															
Escutcheon black, handle black															
G-operator module 88 x 88 mm, mounting form 603G1						<b>6BG1</b>									
Starting position of the handle 12h															
Escutcheon black, handle black															
Legend plate silver, operator module 603G1						<b>FAS6 - .... (FA number)</b>									
<b>Dimensions (mm)</b>															
Type	A	A1	B1	B2	B3	B4	B5	C1	D	D1	D2	D3	E	L <sup>*)</sup>	each add. stage
S606	88	86	152,4	170	76,2	205	150	74	210	20	5,5	5,5	68	59	22
S608	88	86	152,4	170	76,2	205	150	74	210	20	5,5	5,5	68	66	26
S612	88	86	152,4	170	76,2	205	150	74	210	20	5,5	5,5	68	72	32
L <sup>*)</sup> Dimension for switch with 1 contact stage															

# Front mounting switch



**230V AC solenoid**  
**Switching angle 60°**

**Product line**  
**S600**

**Front mounting switch**  
Solenoid lock device  
Solenoid 230V AC  
**Interlock**  
Solenoid de-energised

**Four hole mounting**  
152,4mm x 76,2mm (6" x 3")

**M-operator module**  
88 x 88 mm escutcheon

**604M1 (IP55)**

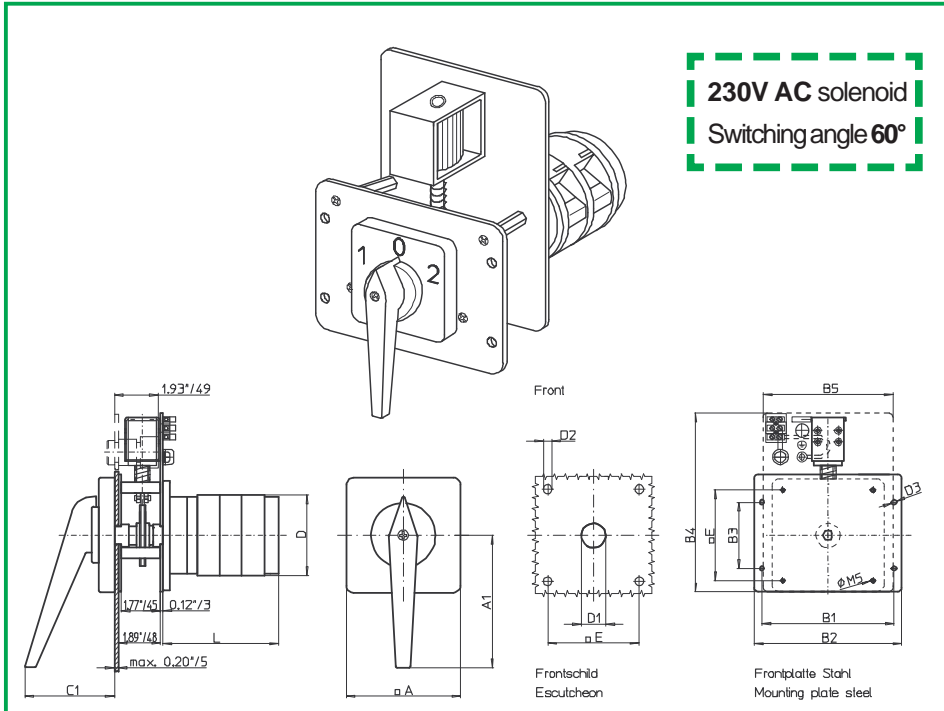
Complete switch	Poles	Product lines	Rated data (IEC 60947)			Order code number
			Operational current I <sub>e</sub>	Operational power at 380–440 V		
			AC-21A A	AC-23A kW	AC-3 kW	
Rotary Cam Switches Switching angle 60° padlockable in 60° steps	1 ... 24	S600	80 100 160	45 55 75	30 37 45	<b>S606 - 61 ... - 604M1</b> <b>S608 - 61 ... - 604M1</b> <b>S612 - 61 ... - 604M1</b>

SMD modules for basic switch (A84)			
Mounting form module for 604M1		S600	<b>BFA6-003</b>
Interlock module, mounting form 604M1			<b>ZVS6-AC230/60</b>
M-operator module 88 x 88 mm, mounting form 604M1			<b>6AM1</b>
Starting position of the handle 09h			
Escutcheon black, handle black			
M-operator module 88 x 88 mm, mounting form 604M1			<b>6BM1</b>
Starting position of the handle 12h			
Escutcheon black, handle black			
Legend plate silver, operator module 604M1			<b>FAS6 - .... (FA number)</b>

Dimensions (mm)														each add. stage
Type	A	B1	B2	B3	B4	B5	C1	D	D1	D2	D3	E	L <sup>*)</sup>	
S606	88	152,4	170	76,2	205	150	52	210	20	5,5	5,5	68	59	22
S608	88	152,4	170	76,2	205	150	52	210	20	5,5	5,5	68	66	26
S612	88	152,4	170	76,2	205	150	52	210	20	5,5	5,5	68	72	32

L<sup>\*)</sup> Dimension for switch with 1 contact stage

# Front mounting switch



**Product line**  
**S600**

**Front mounting switch**  
Solenoid lock device  
Solenoid 230V AC  
**Interlock**  
Solenoid de-energised

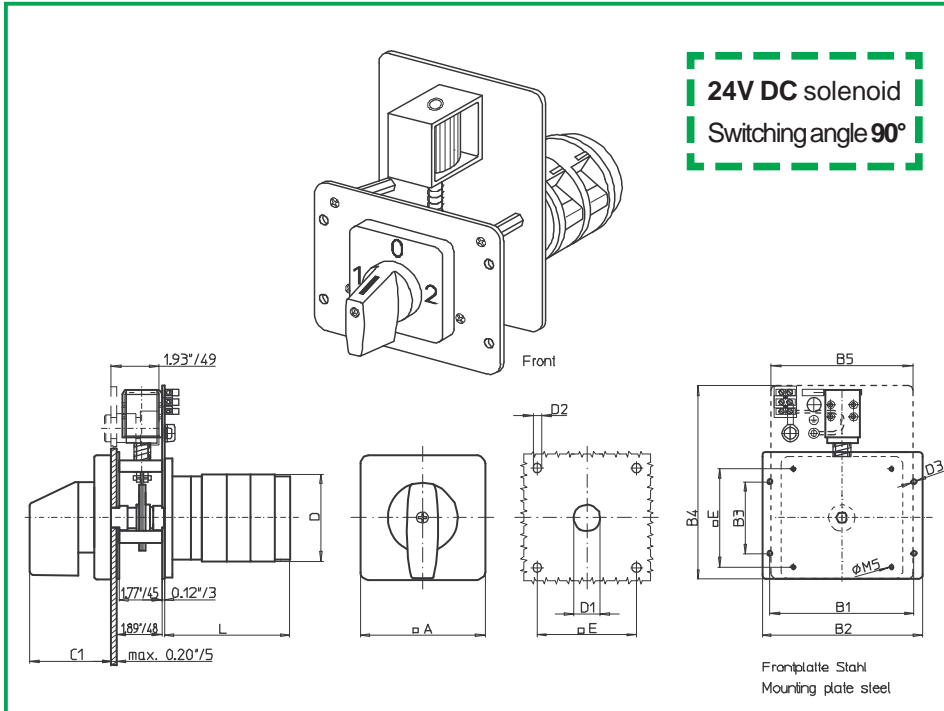
**Four hole mounting**  
152,4mm x 76,2mm (6" x 3")

**G-operator module**  
88 x 88 mm escutcheon

**604G1 (IP55)**

Complete switch	Poles	Product lines	Rated data (IEC 60947)			Order code number									
			Operational current I <sub>e</sub>	Operational power at 380–440 V											
			AC-21A A	AC-23A kW	AC-3 kW										
Rotary Cam Switches Switching angle 60° padlockable in 60° steps	1 ... 24	S600	80 100 160	45 55 75	30 37 45	<b>S606 - 61 ... - 604G1</b> <b>S608 - 61 ... - 604G1</b> <b>S612 - 61 ... - 604G1</b>									
<b>SMD modules for basic switch (A84)</b>															
Mounting form module for 604G1			S600			<b>BFA6-003</b>									
Interlock module, mounting form 604G1						<b>ZVS6-AC230/60</b>									
G-operator module 88 x 88 mm, mounting form 604G1						<b>6AG1</b>									
Starting position of the handle 09h															
Escutcheon black, handle black															
G-operator module 88 x 88 mm, mounting form 604G1						<b>6BG1</b>									
Starting position of the handle 12h															
Escutcheon black, handle black															
Legend plate silver, operator module 604G1						<b>FAS6 - .... (FA number)</b>									
<b>Dimensions (mm)</b>															
Type	A	A1	B1	B2	B3	B4	B5	C1	D	D1	D2	D3	E	L <sup>*)</sup>	each add. stage
S606	88	86	152,4	170	76,2	205	150	74	210	20	5,5	5,5	68	59	22
S608	88	86	152,4	170	76,2	205	150	74	210	20	5,5	5,5	68	66	26
S612	88	86	152,4	170	76,2	205	150	74	210	20	5,5	5,5	68	72	32
L <sup>*)</sup> Dimension for switch with 1 contact stage															

# Front mounting switch



**Product line**  
**S600**

## Front mounting switch

Solenoid lock device  
Solenoid 24V DC

## Interlock

Solenoid de-energised

## Four hole mounting

152,4mm x 76,2mm (6" x 3")

## M-operator module

88 x 88 mm escutcheon

**607M1 (IP55)**

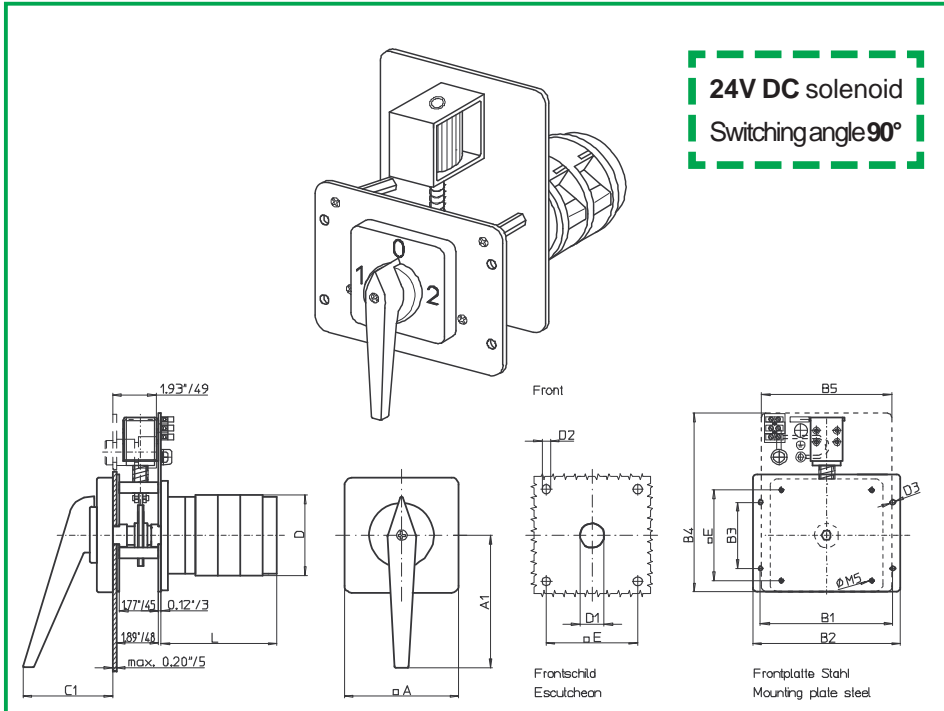
Complete switch	Poles	Product lines	Rated data (IEC 60947)			Order code number
			Operational current I <sub>e</sub>	Operational power at 380–440 V		
			AC-21A A	AC-23A kW	AC-3 kW	
Rotary Cam Switches	1 ... 24	S600	80	45	30	<b>S606 - 61 ... - 607M1</b>
Switching angle 90°			100	55	37	<b>S608 - 61 ... - 607M1</b>
padlockable in 90° steps			160	75	45	<b>S612 - 61 ... - 607M1</b>

SMD modules for basic switch (A84)	Product lines	Order code number
Mounting form module for 607M1	S600	<b>BFA6-003</b>
Interlock module, mounting form 607M1		<b>ZVS6-DC024/90</b>
M-operator module 88 x 88 mm, mounting form 607M1		<b>6AM1</b>
Starting position of the handle 09h		
Escutcheon black, handle black		
M-operator module 88 x 88 mm, mounting form 607M1		<b>6BM1</b>
Starting position of the handle 12h		
Escutcheon black, handle black		
Legend plate silver, operator module 607M1		<b>FAS6 - .... (FA number)</b>

Dimensions (mm)														each add. stage
Type	A	B1	B2	B3	B4	B5	C1	D	D1	D2	D3	E	L <sup>*)</sup>	
S606	88	152,4	170	76,2	205	150	52	210	20	5,5	5,5	68	59	22
S608	88	152,4	170	76,2	205	150	52	210	20	5,5	5,5	68	66	26
S612	88	152,4	170	76,2	205	150	52	210	20	5,5	5,5	68	72	32

L<sup>\*)</sup> Dimension for switch with 1 contact stage

# Front mounting switch



**24V DC solenoid**  
**Switching angle 90°**

**Product line**  
**S600**

**Front mounting switch**

Solenoid lock device  
Solenoid 24V DC

**Interlock**

Solenoid de-energised

**Four hole mounting**

152,4mm x 76,2mm (6" x 3")

**G-operator module**

88 x 88 mm escutcheon

**607G1 (IP55)**

Complete switch	Poles	Product lines	Rated data (IEC 60947)			Order code number
			Operational current I <sub>e</sub>	Operational power at 380–440 V		
			AC-21A A	AC-23A kW	AC-3 kW	
Rotary Cam Switches	1 ... 24	S600	80	45	30	<b>S606 - 61 ... - 607G1</b>
Switching angle 90°			100	55	37	<b>S608 - 61 ... - 607G1</b>
padlockable in 90° steps			160	75	45	<b>S612 - 61 ... - 607G1</b>

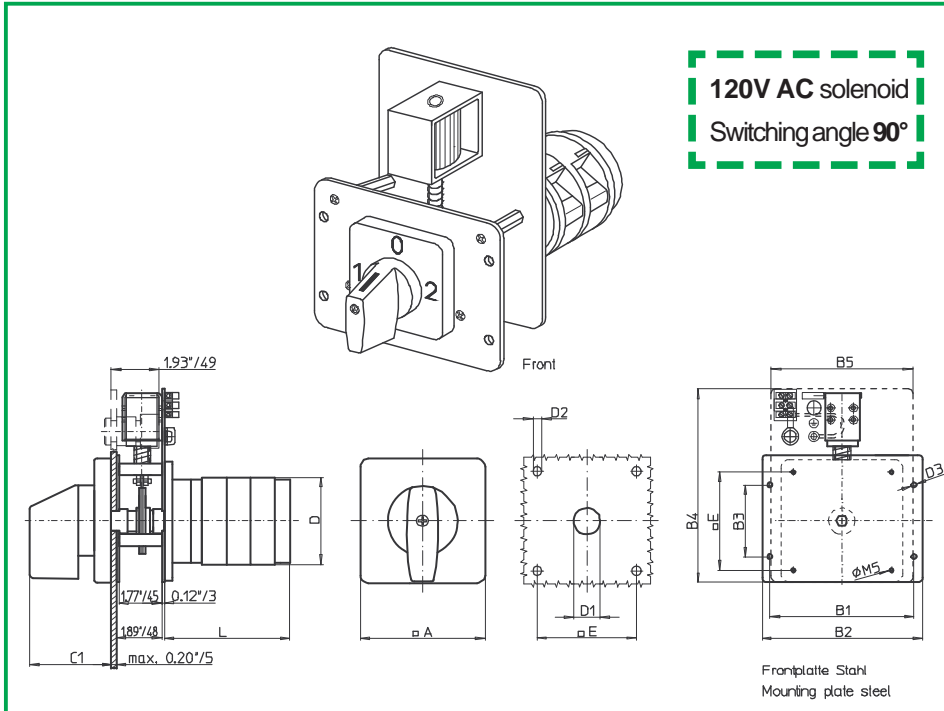
SMD modules for basic switch (A84)	Product lines	Order code number
Mounting form module for 607G1	S600	<b>BFA6-003</b>
Interlock module, mounting form 607G1		<b>ZVS6-DC024/90</b>
G-operator module 88 x 88 mm, mounting form 607G1		<b>6AG1</b>
Starting position of the handle 09h		
Escutcheon black, handle black		
G-operator module 88 x 88 mm, mounting form 607G1		<b>6BG1</b>
Starting position of the handle 12h		
Escutcheon black, handle black		
Legend plate silver, operator module 607G1		<b>FAS6 - .... (FA number)</b>

Dimensions (mm)															each add. stage
Type	A	A1	B1	B2	B3	B4	B5	C1	D	D1	D2	D3	E	L <sup>*)</sup>	
S606	88	86	152,4	170	76,2	205	150	66	210	20	5,5	5,5	68	59	22
S608	88	86	152,4	170	76,2	205	150	66	210	20	5,5	5,5	68	66	26
S612	88	86	152,4	170	76,2	205	150	66	210	20	5,5	5,5	68	72	32

L<sup>\*)</sup> Dimension for switch with 1 contact stage



# Front mounting switch



**120V AC solenoid**  
**Switching angle 90°**

**Product line**  
**S600**

**Front mounting switch**  
Solenoid lock device  
Solenoid 120V AC  
**Interlock**  
Solenoid de-energised

**Four hole mounting**  
152,4mm x 76,2mm (6" x 3")

**M-operator module**  
88 x 88 mm escutcheon

**608M1 (IP55)**

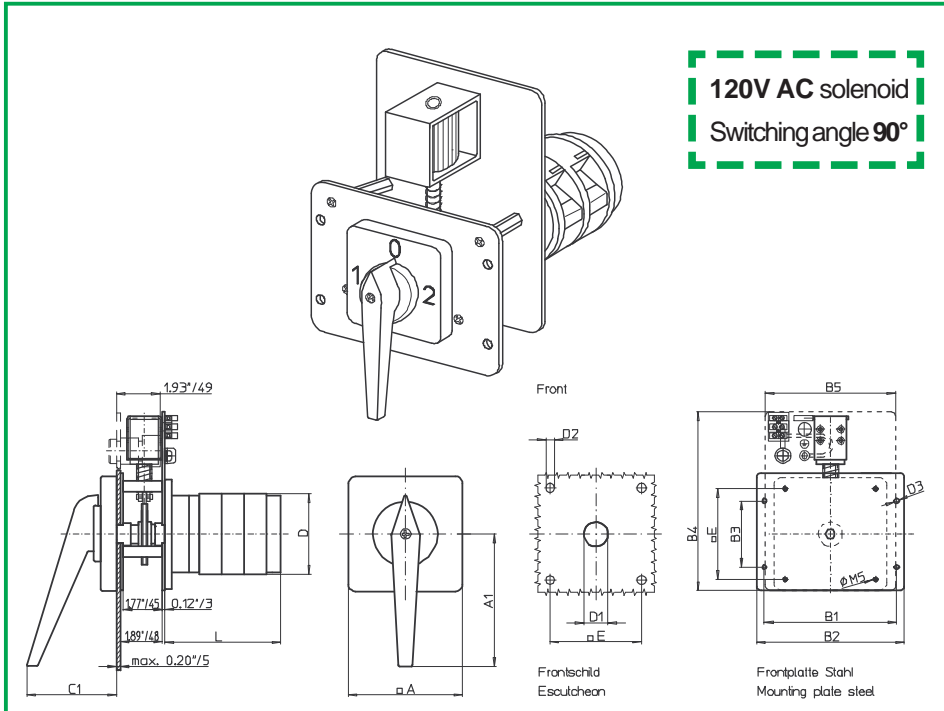
Complete switch	Poles	Product lines	Rated data (IEC 60947)			Order code number
			Operational current I <sub>e</sub>	Operational power at 380–440 V		
			AC-21A A	AC-23A kW	AC-3 kW	
Rotary Cam Switches	1 ... 24	S600	80	45	30	<b>S606 - 61 ... - 608M1</b>
Switching angle 90°			100	55	37	<b>S608 - 61 ... - 608M1</b>
padlockable in 90° steps			160	75	45	<b>S612 - 61 ... - 608M1</b>

SMD modules for basic switch (A84)	Product lines	Order code number
Mounting form module for 608M1	S600	<b>BFA6-003</b>
Interlock module, mounting form 608M1		<b>ZVS6-AC120/90</b>
M-operator module 88 x 88 mm, mounting form 608M1		<b>6AM1</b>
Starting position of the handle 09h		
Escutcheon black, handle black		
M-operator module 88 x 88 mm, mounting form 608M1		<b>6BM1</b>
Starting position of the handle 12h		
Escutcheon black, handle black		
Legend plate silver, operator module 608M1		<b>FAS6 - .... (FA number)</b>

Dimensions (mm)														each add. stage
Type	A	B1	B2	B3	B4	B5	C1	D	D1	D2	D3	E	L <sup>*)</sup>	
S606	88	152,4	170	76,2	205	150	52	210	20	5,5	5,5	68	59	22
S608	88	152,4	170	76,2	205	150	52	210	20	5,5	5,5	68	66	26
S612	88	152,4	170	76,2	205	150	52	210	20	5,5	5,5	68	72	32

L<sup>\*)</sup> Dimension for switch with 1 contact stage

# Front mounting switch



**120V AC solenoid**  
**Switching angle 90°**

**Product line**  
**S600**

**Front mounting switch**  
Solenoid lock device  
Solenoid 120V AC  
**Interlock**  
Solenoid de-energised

**Four hole mounting**  
152,4mm x 76,2mm (6" x 3")

**G-operator module**  
88 x 88 mm escutcheon

**608G1 (IP55)**

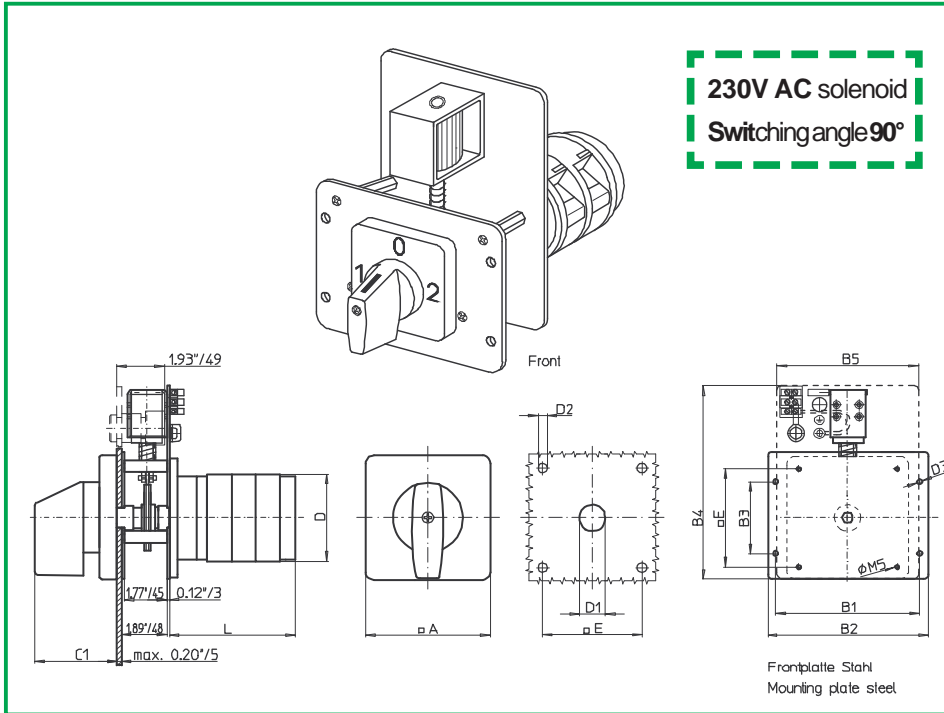
Complete switch	Poles	Product lines	Rated data (IEC 60947)			Order code number
			Operational current I <sub>e</sub>	Operational power at 380–440 V		
			AC-21A A	AC-23A kW	AC-3 kW	
Rotary Cam Switches Switching angle 90° padlockable in 90° steps	1 ... 24	S600	80 100 160	45 55 75	30 37 45	<b>S606 - 61 ... - 608G1</b> <b>S608 - 61 ... - 608G1</b> <b>S612 - 61 ... - 608G1</b>

SMD modules for basic switch (A84)			
Mounting form module for 608G1		S600	<b>BFA6-003</b>
Interlock module, mounting form 608G1			<b>ZVS6-AC120/90</b>
G-operator module 88 x 88 mm, mounting form 608G1			<b>6AG1</b>
Starting position of the handle 09h Escutcheon black, handle black			
G-operator module 88 x 88 mm, mounting form 608G1			<b>6BG1</b>
Starting position of the handle 12h Escutcheon black, handle black			
Legend plate silver, operator module 608G1			<b>FAS6 - .... (FA number)</b>

Dimensions (mm)															each add. stage
Type	A	A1	B1	B2	B3	B4	B5	C1	D	D1	D2	D3	E	L <sup>*)</sup>	
S606	88	86	152,4	170	76,2	205	150	74	210	20	5,5	5,5	68	59	22
S608	88	86	152,4	170	76,2	205	150	74	210	20	5,5	5,5	68	66	26
S612	88	86	152,4	170	76,2	205	150	74	210	20	5,5	5,5	68	72	32

L<sup>\*)</sup> Dimension for switch with 1 contact stage

# Front mounting switch



**Product line**  
**S600**

**Front mounting switch**  
Solenoid lock device  
Solenoid 230V AC  
**Interlock**  
Solenoid de-energised

**Four hole mounting**  
152,4mm x 76,2mm (6" x 3")

**M-operator module**  
88 x 88 mm escutcheon

**609M1 (IP55)**

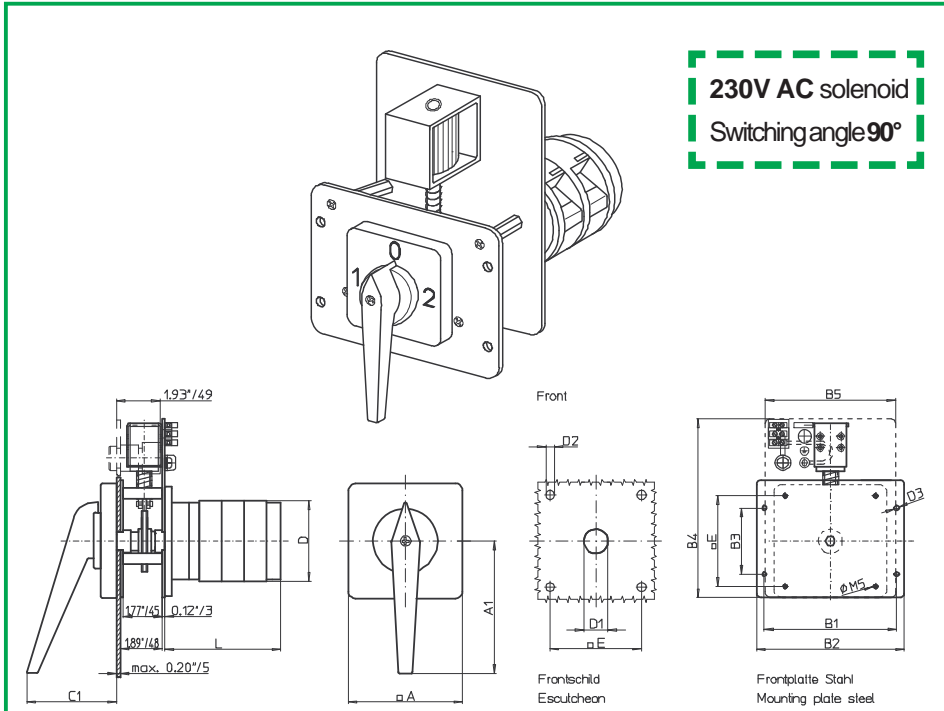
Complete switch	Poles	Product lines	Rated data (IEC 60947)			Order code number
			Operational current I <sub>e</sub>	Operational power at 380–440 V		
			AC-21A A	AC-23A kW	AC-3 kW	
Rotary Cam Switches Switching angle 90° padlockable in 90° steps	1 ... 24	S600	80 100 160	45 55 75	30 37 45	<b>S606 - 61 ... - 609M1</b> <b>S608 - 61 ... - 609M1</b> <b>S612 - 61 ... - 609M1</b>

SMD modules for basic switch (A84)	Product lines	Order code number
Mounting form module for 609M1	S600	<b>BFA6-003</b>
Interlock module, mounting form 609M1		<b>ZVS6-AC230/90</b>
M-operator module 88 x 88 mm, mounting form 609M1		<b>6AM1</b>
Starting position of the handle 09h Escutcheon black, handle black		
M-operator module 88 x 88 mm, mounting form 609M1		<b>6BM1</b>
Starting position of the handle 12h Escutcheon black, handle black		
Legend plate silver, operator module 609M1		<b>FAS6 - .... (FA number)</b>

Dimensions (mm)														each add. stage
Type	A	B1	B2	B3	B4	B5	C1	D	D1	D2	D3	E	L <sup>*)</sup>	
S606	88	152,4	170	76,2	205	150	52	210	20	5,5	5,5	68	59	22
S608	88	152,4	170	76,2	205	150	52	210	20	5,5	5,5	68	66	26
S612	88	152,4	170	76,2	205	150	52	210	20	5,5	5,5	68	72	32

L<sup>\*)</sup> Dimension for switch with 1 contact stage

# Front mounting switch



**Product line**  
**S600**

**Front mounting switch**  
Solenoid lock device  
Solenoid 230V AC  
**Interlock**  
Solenoid de-energised

**Four hole mounting**  
152,4mm x 76,2mm (6" x 3")

**G-operator module**  
88 x 88 mm escutcheon

**609G1 (IP55)**

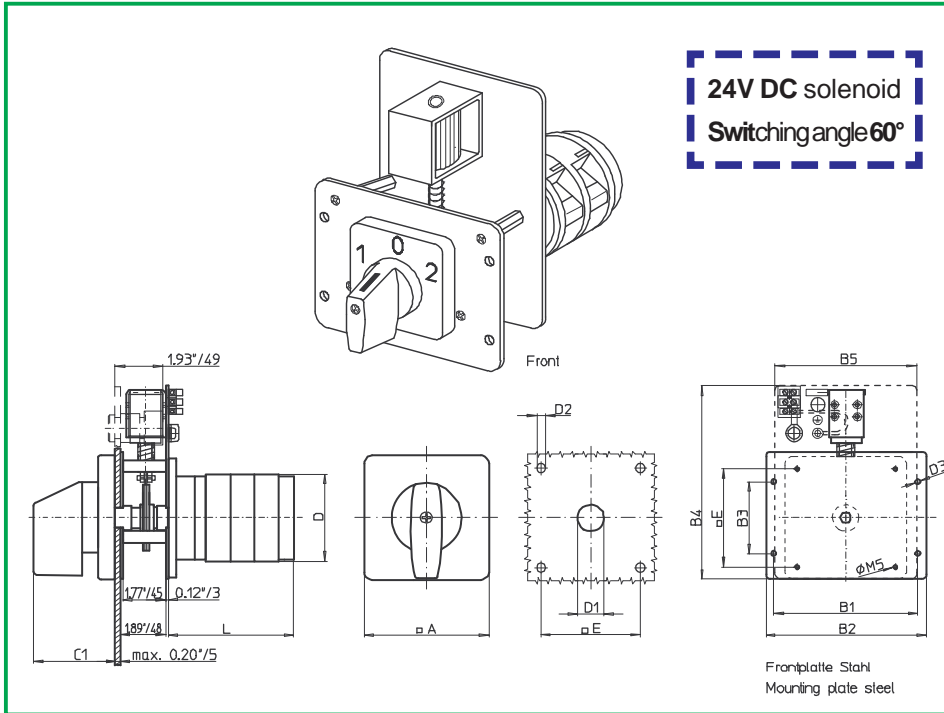
Complete switch	Poles	Product lines	Rated data (IEC 60947)			Order code number
			Operational current I <sub>e</sub>	Operational power at 380–440 V		
			AC-21A A	AC-23A kW	AC-3 kW	
Rotary Cam Switches Switching angle 90° padlockable in 90° steps	1 ... 24	S600	80 100 160	45 55 75	30 37 45	<b>S606 - 61 ... - 609G1</b> <b>S608 - 61 ... - 609G1</b> <b>S612 - 61 ... - 609G1</b>

SMD modules for basic switch (A84)			
Mounting form module for 609G1		S600	<b>BFA6-003</b>
Interlock module, mounting form 609G1			<b>ZVS6-AC230/90</b>
G-operator module 88 x 88 mm, mounting form 609G1			<b>6AG1</b>
Starting position of the handle 09h			
Escutcheon black, handle black			
G-operator module 88 x 88 mm, mounting form 609G1			<b>6BG1</b>
Starting position of the handle 12h			
Escutcheon black, handle black			
Legend plate silver, operator module 609G1			<b>FAS6 - .... (FA number)</b>

Dimensions (mm)															each add. stage
Type	A	A1	B1	B2	B3	B4	B5	C1	D	D1	D2	D3	E	L <sup>*)</sup>	
S606	88	86	152,4	170	76,2	205	150	74	210	20	5,5	5,5	68	59	22
S608	88	86	152,4	170	76,2	205	150	74	210	20	5,5	5,5	68	66	26
S612	88	86	152,4	170	76,2	205	150	74	210	20	5,5	5,5	68	72	32

L<sup>\*)</sup> Dimension for switch with 1 contact stage

# Front mounting switch



**24V DC solenoid**  
**Switching angle 60°**

**Product line**  
**S600**

**Front mounting switch**

Solenoid lock device  
Solenoid 24V DC

**Interlock**

Solenoid energised

**Four hole mounting**

152,4mm x 76,2mm (6" x 3")

**M-operator module**

88 x 88 mm escutcheon

**612M1 (IP55)**

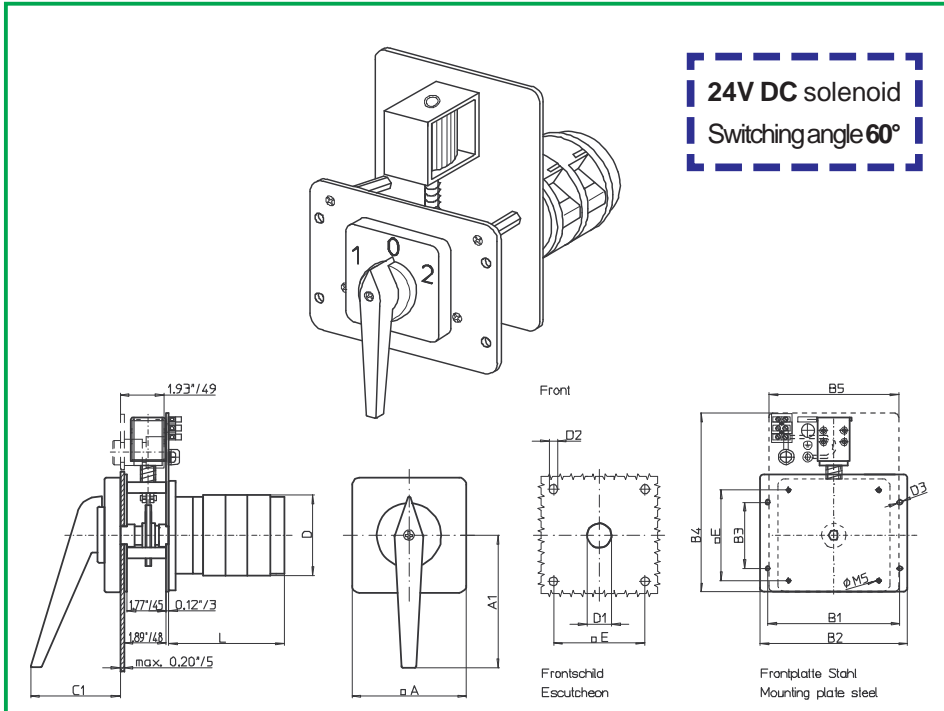
Complete switch	Poles	Product lines	Rated data (IEC 60947)			Order code number
			Operational current I <sub>e</sub>	Operational power at 380–440 V		
			AC-21A A	AC-23A kW	AC-3 kW	
Rotary Cam Switches	1 ... 24	S600	80	45	30	<b>S606 - 61 ... - 612M1</b>
Switching angle 60°			100	55	37	<b>S608 - 61 ... - 612M1</b>
padlockable in 60° steps			160	75	45	<b>S612 - 61 ... - 612M1</b>

SMD modules for basic switch (A84)			
Mounting form module for 612M1		S600	<b>BFA6-003</b>
Interlock module, mounting form 612M1			<b>ZVD6-DC024/60</b>
M-operator module 88 x 88 mm, mounting form 612M1			<b>6AM1</b>
Starting position of the handle 09h			
Escutcheon black, handle black			
M-operator module 88 x 88 mm, mounting form 612M1			<b>6BM1</b>
Starting position of the handle 12h			
Escutcheon black, handle black			
Legend plate silver, operator module 612M1			<b>FAS6 - .... (FA number)</b>

Dimensions (mm)														each add. stage
Type	A	B1	B2	B3	B4	B5	C1	D	D1	D2	D3	E	L <sup>*)</sup>	
S606	88	152,4	170	76,2	205	150	52	210	20	5,5	5,5	68	59	22
S608	88	152,4	170	76,2	205	150	52	210	20	5,5	5,5	68	66	26
S612	88	152,4	170	76,2	205	150	52	210	20	5,5	5,5	68	72	32

L<sup>\*)</sup> Dimension for switch with 1 contact stage

# Front mounting switch



**24V DC solenoid**  
**Switching angle 60°**

**Product line**  
**S600**

**Front mounting switch**

Solenoid lock device  
Solenoid 24V DC

**Interlock**

Solenoid energised

**Four hole mounting**

152,4mm x 76,2mm (6" x 3")

**G-operator module**

88 x 88 mm escutcheon

**612G1 (IP55)**

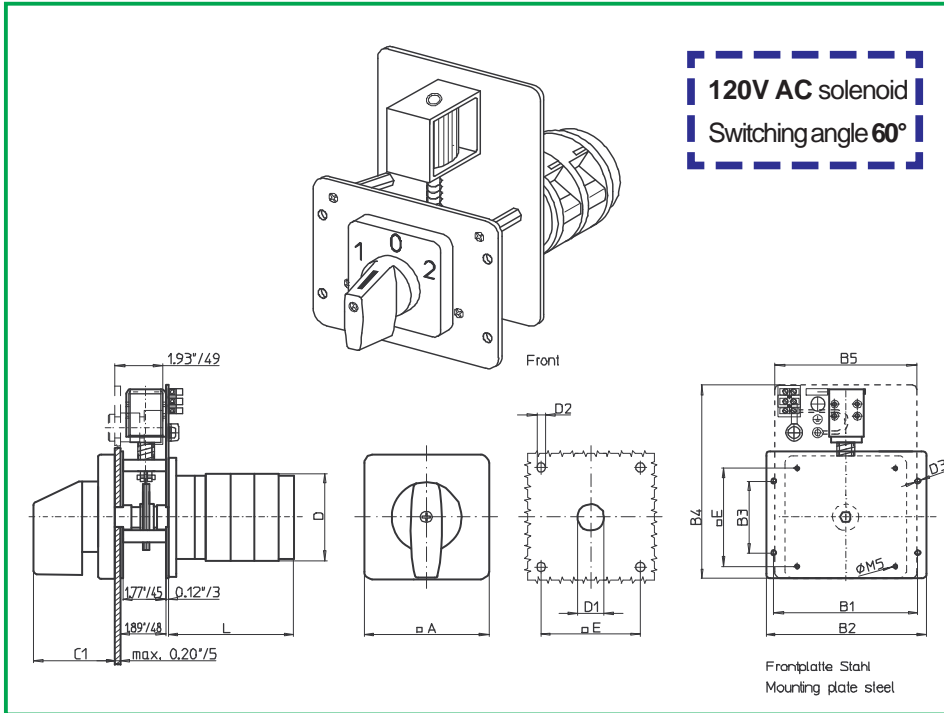
Complete switch	Poles	Product lines	Rated data (IEC 60947)			Order code number
			Operational current I <sub>e</sub>	Operational power at 380–440 V		
			AC-21A A	AC-23A kW	AC-3 kW	
Rotary Cam Switches Switching angle 60° padlockable in 60° steps	1 ... 24	S600	80 100 160	45 55 75	30 37 45	<b>S606 - 61 ... - 612G1</b> <b>S608 - 61 ... - 612G1</b> <b>S612 - 61 ... - 612G1</b>

SMD modules for basic switch (A84)			
Mounting form module for 612G1		S600	<b>BFA6-003</b>
Interlock module, mounting form 612G1			<b>ZVD6-DC024/60</b>
G-operator module 88 x 88 mm, mounting form 612G1			<b>6AG1</b>
Starting position of the handle 09h			
Escutcheon black, handle black			
G-operator module 88 x 88 mm, mounting form 612G1			<b>6BG1</b>
Starting position of the handle 12h			
Escutcheon black, handle black			
Legend plate silver, operator module 612G1			<b>FAS6 - .... (FA number)</b>

Dimensions (mm)															each add. stage
Type	A	A1	B1	B2	B3	B4	B5	C1	D	D1	D2	D3	E	L <sup>*)</sup>	
S606	88	86	152,4	170	76,2	205	150	74	210	20	5,5	5,5	68	59	22
S608	88	86	152,4	170	76,2	205	150	74	210	20	5,5	5,5	68	66	26
S612	88	86	152,4	170	76,2	205	150	74	210	20	5,5	5,5	68	72	32

L<sup>\*)</sup> Dimension for switch with 1 contact stage

# Front mounting switch



**Product line**  
**S600**

**Front mounting switch**  
Solenoid lock device  
Solenoid 120V AC  
**Interlock**  
Solenoid energised

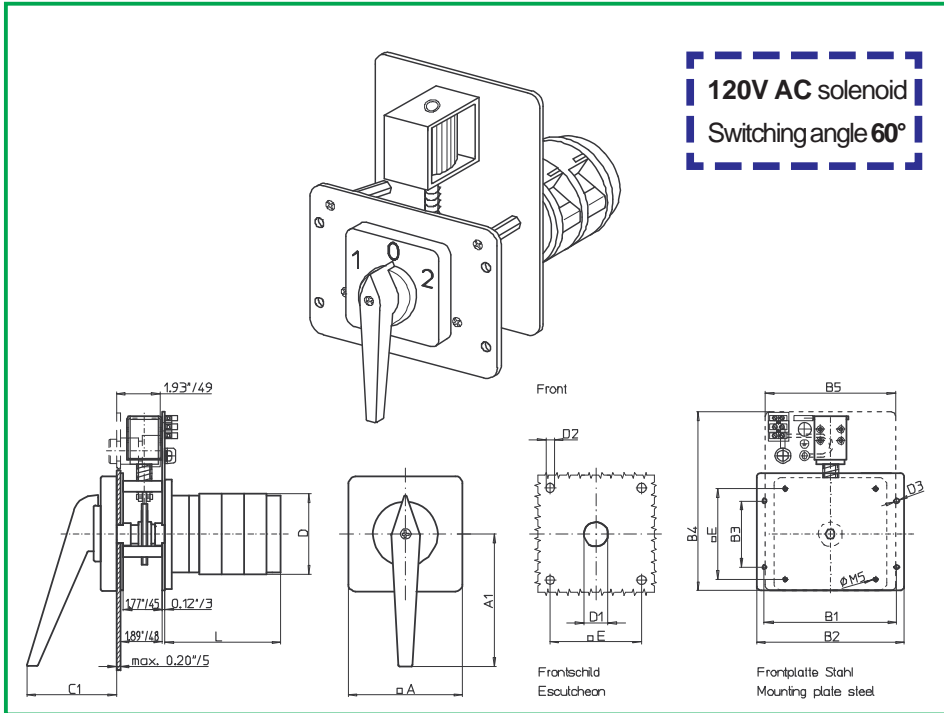
**Four hole mounting**  
152,4mm x 76,2mm (6" x 3")

**M-operator module**  
88 x 88 mm escutcheon

**613M1 (IP55)**

Complete switch	Poles	Product lines	Rated data (IEC 60947)			Order code number								
			Operational current I <sub>e</sub>	Operational power at 380–440 V										
			AC-21A A	AC-23A kW	AC-3 kW									
Rotary Cam Switches Switching angle 60° padlockable in 60° steps	1 ... 24	S600	80 100 160	45 55 75	30 37 45	<b>S606 - 61 ... - 613M1</b> <b>S608 - 61 ... - 613M1</b> <b>S612 - 61 ... - 613M1</b>								
<b>SMD modules for basic switch (A84)</b>														
Mounting form module for 613M1			S600			<b>BFA6-003</b>								
Interlock module, mounting form 613M1						<b>ZVD6-AC120/60</b>								
M-operator module 88 x 88 mm, mounting form 613M1						<b>6AM1</b>								
Starting position of the handle 09h														
Escutcheon black, handle black														
M-operator module 88 x 88 mm, mounting form 613M1						<b>6BM1</b>								
Starting position of the handle 12h														
Escutcheon black, handle black														
Legend plate silver, operator module 613M1						<b>FAS6 - .... (FA number)</b>								
<b>Dimensions (mm)</b>														
Type	A	B1	B2	B3	B4	B5	C1	D	D1	D2	D3	E	L <sup>*)</sup>	each add. stage
S606	88	152,4	170	76,2	205	150	52	210	20	5,5	5,5	68	59	22
S608	88	152,4	170	76,2	205	150	52	210	20	5,5	5,5	68	66	26
S612	88	152,4	170	76,2	205	150	52	210	20	5,5	5,5	68	72	32
L <sup>*)</sup> Dimension for switch with 1 contact stage														

# Front mounting switch



**Product line**  
**S600**

**Front mounting switch**  
Solenoid lock device  
Solenoid 120V AC  
**Interlock**  
Solenoid energised

**Four hole mounting**  
152,4mm x 76,2mm (6" x 3")

**G-operator module**  
88 x 88 mm escutcheon

**613G1 (IP55)**

Complete switch	Poles	Product lines	Rated data (IEC 60947)			Order code number
			Operational current I <sub>e</sub>	Operational power at 380–440 V		
			AC-21A A	AC-23A kW	AC-3 kW	
Rotary Cam Switches Switching angle 60° padlockable in 60° steps	1 ... 24	S600	80 100 160	45 55 75	30 37 45	<b>S606 - 61 ... - 613G1</b> <b>S608 - 61 ... - 613G1</b> <b>S612 - 61 ... - 613G1</b>

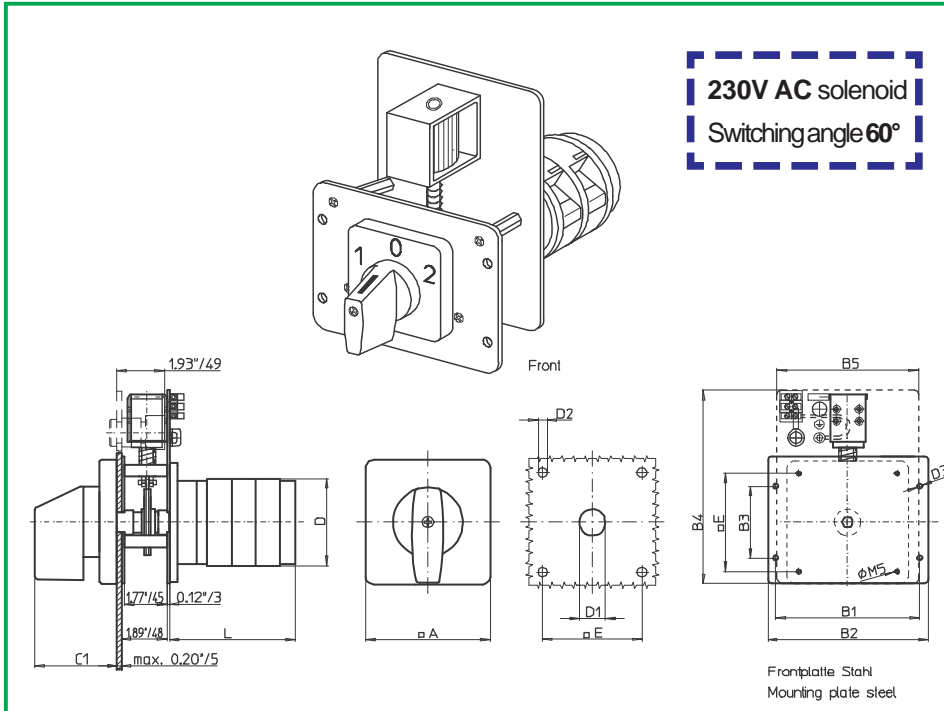
SMD modules for basic switch (A84)			
Mounting form module for 613G1		S600	<b>BFA6-003</b>
Interlock module, mounting form 613G1			<b>ZVD6-AC120/60</b>
G-operator module 88 x 88 mm, mounting form 613G1			<b>6AG1</b>
Starting position of the handle 09h			
Escutcheon black, handle black			
G-operator module 88 x 88 mm, mounting form 613G1			<b>6BG1</b>
Starting position of the handle 12h			
Escutcheon black, handle black			
Legend plate silver, operator module 613G1			<b>FAS6 - .... (FA number)</b>

Dimensions (mm)															
Type	A	A1	B1	B2	B3	B4	B5	C1	D	D1	D2	D3	E	L*)	each add. stage
S606	88	86	152,4	170	76,2	205	150	74	210	20	5,5	5,5	68	59	22
S608	88	86	152,4	170	76,2	205	150	74	210	20	5,5	5,5	68	66	26
S612	88	86	152,4	170	76,2	205	150	74	210	20	5,5	5,5	68	72	32

L\*) Dimension for switch with 1 contact stage



# Front mounting switch



**Product line**  
**S600**

**Front mounting switch**  
Solenoid lock device  
Solenoid 230V AC  
**Interlock**  
Solenoid energised

**Four hole mounting**  
152,4mm x 76,2mm (6" x 3")

**M-operator module**  
88 x 88 mm escutcheon

**614M1 (IP55)**

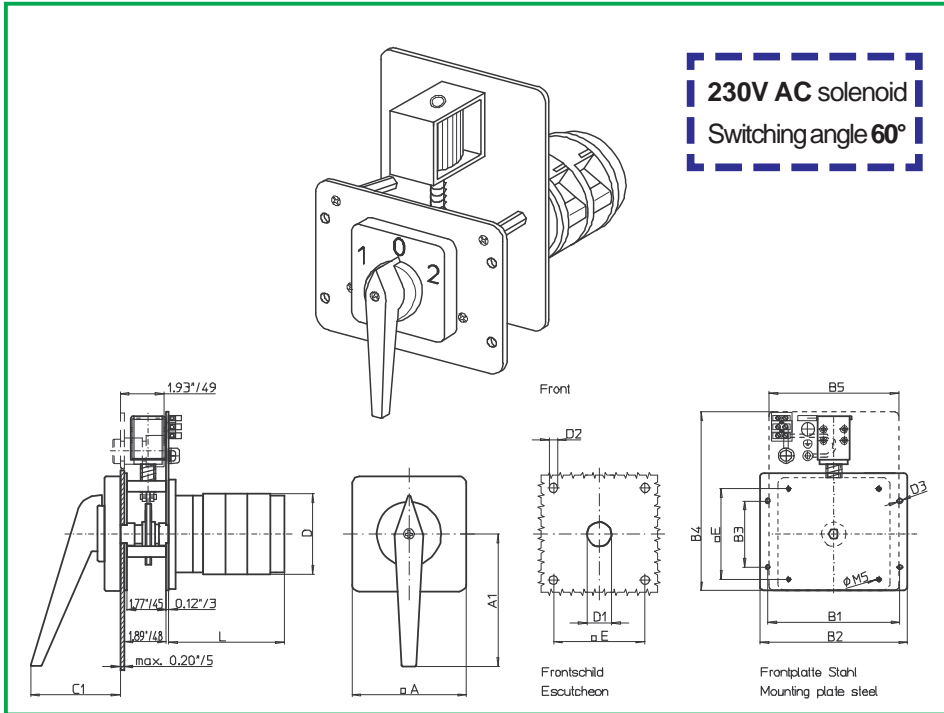
Complete switch	Poles	Product lines	Rated data (IEC 60947)			Order code number
			Operational current I <sub>e</sub>	Operational power at 380–440 V		
			AC-21A A	AC-23A kW	AC-3 kW	
Rotary Cam Switches Switching angle 60° padlockable in 60° steps	1 ... 24	S600	80 100 160	45 55 75	30 37 45	<b>S606 - 61 ... - 614M1</b> <b>S608 - 61 ... - 614M1</b> <b>S612 - 61 ... - 614M1</b>

SMD modules for basic switch (A84)		
Mounting form module for 614M1	S600	<b>BFA6-003</b>
Interlock module, mounting form 614M1		<b>ZVD6-AC230/60</b>
M-operator module 88 x 88 mm, mounting form 614M1		<b>6AM1</b>
Starting position of the handle 09h Escutcheon black, handle black		
M-operator module 88 x 88 mm, mounting form 614M1		<b>6BM1</b>
Starting position of the handle 12h Escutcheon black, handle black		
Legend plate silver, operator module 614M1		<b>FAS6 - .... (FA number)</b>

Dimensions (mm)														each add. stage
Type	A	B1	B2	B3	B4	B5	C1	D	D1	D2	D3	E	L <sup>*)</sup>	
S606	88	152,4	170	76,2	205	150	52	210	20	5,5	5,5	68	59	22
S608	88	152,4	170	76,2	205	150	52	210	20	5,5	5,5	68	66	26
S612	88	152,4	170	76,2	205	150	52	210	20	5,5	5,5	68	72	32

L<sup>\*)</sup> Dimension for switch with 1 contact stage

# Front mounting switch



**Product line**  
**S600**

**Front mounting switch**  
Solenoid lock device  
Solenoid 230V AC  
**Interlock**  
Solenoid energised

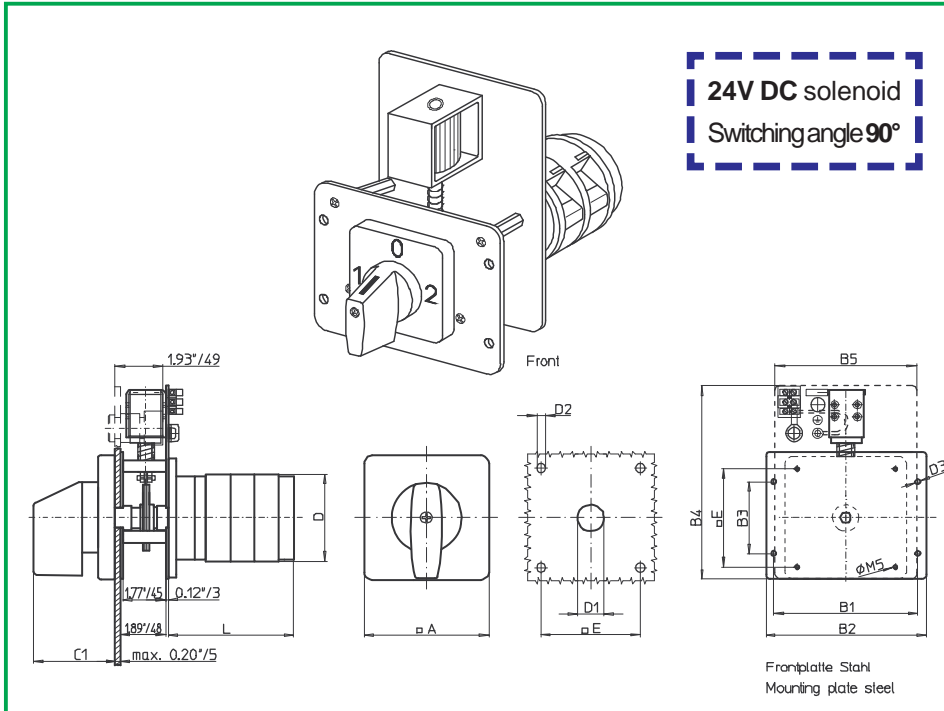
**Four hole mounting**  
152,4mm x 76,2mm (6" x 3")

**G-operator module**  
88 x 88 mm escutcheon

**614G1 (IP55)**

Complete switch	Poles	Product lines	Rated data (IEC 60947)			Order code number									
			Operational current I <sub>e</sub>	Operational power at 380–440 V											
			AC-21A A	AC-23A kW	AC-3 kW										
Rotary Cam Switches Switching angle 60° padlockable in 60° steps	1 ... 24	S600	80 100 160	45 55 75	30 37 45	<b>S606 - 61 ... - 614G1</b> <b>S608 - 61 ... - 614G1</b> <b>S612 - 61 ... - 614G1</b>									
<b>SMD modules for basic switch (A84)</b>															
Mounting form module for 614G1			S600			<b>BFA6-003</b>									
Interlock module, mounting form 614G1						<b>ZVD6-AC230/60</b>									
G-operator module 88 x 88 mm, mounting form 614G1						<b>6AG1</b>									
Starting position of the handle 09h															
Escutcheon black, handle black															
G-operator module 88 x 88 mm, mounting form 614G1						<b>6BG1</b>									
Starting position of the handle 12h															
Escutcheon black, handle black															
Legend plate silver, operator module 614G1						<b>FAS6 - .... (FA number)</b>									
<b>Dimensions (mm)</b>															
Type	A	A1	B1	B2	B3	B4	B5	C1	D	D1	D2	D3	E	L*)	each add. stage
S606	88	86	152,4	170	76,2	205	150	74	210	20	5,5	5,5	68	59	22
S608	88	86	152,4	170	76,2	205	150	74	210	20	5,5	5,5	68	66	26
S612	88	86	152,4	170	76,2	205	150	74	210	20	5,5	5,5	68	72	32
L*) Dimension for switch with 1 contact stage															

# Front mounting switch



**Product line**  
**S600**

## Front mounting switch

Solenoid lock device  
Solenoid 24V DC

## Interlock

Solenoid energised

## Four hole mounting

152,4mm x 76,2mm (6" x 3")

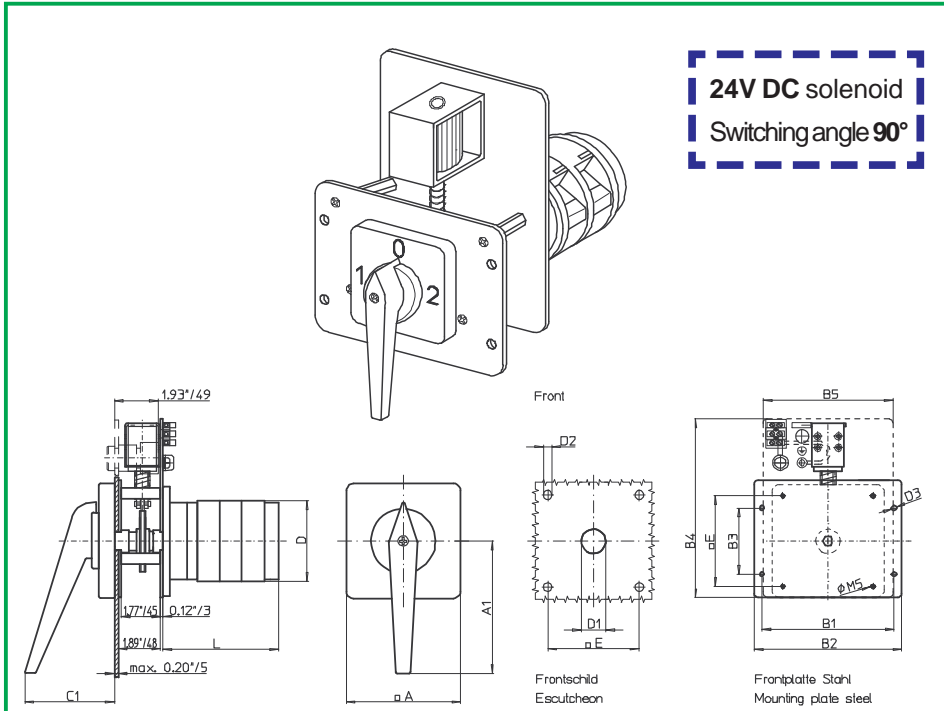
## M-operator module

88 x 88 mm escutcheon

**617M1 (IP55)**

Complete switch	Poles	Product lines	Rated data (IEC 60947)			Order code number								
			Operational current I <sub>e</sub>	Operational power at 380–440 V										
			AC-21A A	AC-23A kW	AC-3 kW									
Rotary Cam Switches Switching angle 90° padlockable in 90° steps	1 ... 24	S600	80 100 160	45 55 75	30 37 45	<b>S606 - 61 ... - 617M1</b> <b>S608 - 61 ... - 617M1</b> <b>S612 - 61 ... - 617M1</b>								
<b>SMD modules for basic switch (A84)</b>														
Mounting form module for 617M1			S600			<b>BFA6-003</b>								
Interlock module, mounting form 617 M1						<b>ZVD6-DC024/90</b>								
M-operator module 88 x 88 mm, mounting form 617M1						<b>6AM1</b>								
Starting position of the handle 09h														
Escutcheon black, handle black														
M-operator module 88 x 88 mm, mounting form 617M1						<b>6BM1</b>								
Starting position of the handle 12h														
Escutcheon black, handle black														
Legend plate silver, operator module 617M1						<b>FAS6 - .... (FA number)</b>								
<b>Dimensions (mm)</b>														
Type	A	B1	B2	B3	B4	B5	C1	D	D1	D2	D3	E	L <sup>*)</sup>	each add. stage
S606	88	152,4	170	76,2	205	150	52	210	20	5,5	5,5	68	59	22
S608	88	152,4	170	76,2	205	150	52	210	20	5,5	5,5	68	66	26
S612	88	152,4	170	76,2	205	150	52	210	20	5,5	5,5	68	72	32
L <sup>*)</sup> Dimension for switch with 1 contact stage														

# Front mounting switch



**Product line**  
**S600**

**Front mounting switch**

Solenoid lock device  
Solenoid 24V DC

**Interlock**

Solenoid energised

**Four hole mounting**

152,4mm x 76,2mm (6" x 3")

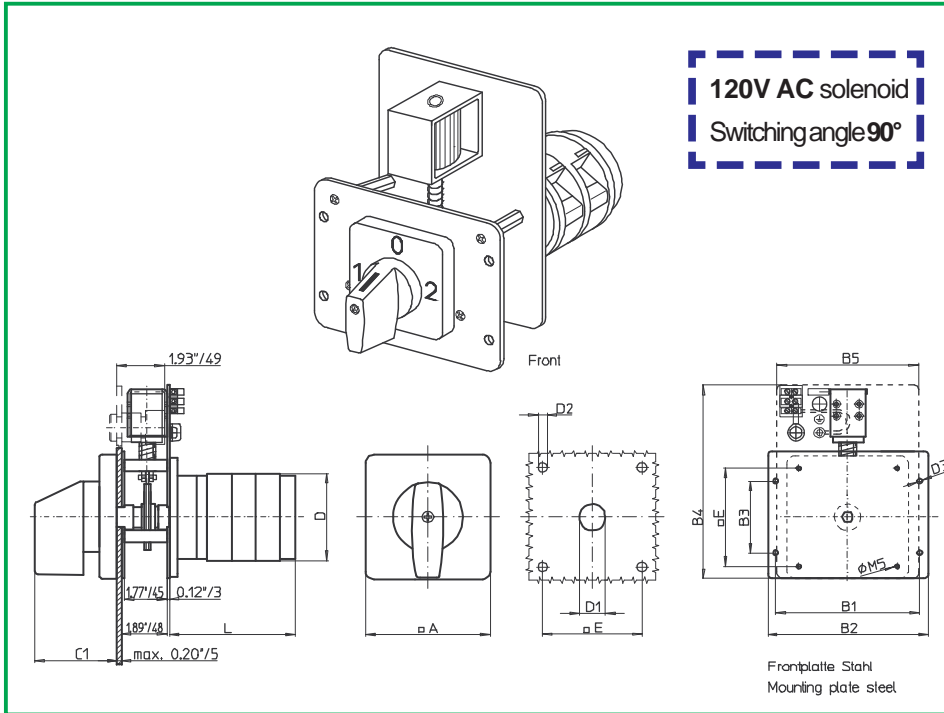
**G-operator module**

88 x 88 mm escutcheon

**617G1 (IP55)**

Complete switch	Poles	Product lines	Rated data (IEC 60947)			Order code number										
			Operational current I <sub>e</sub>	Operational power at 380–440 V												
			AC-21A A	AC-23A kW	AC-3 kW											
Rotary Cam Switches Switching angle 90° padlockable in 90° steps	1 ... 24	S600	80 100 160	45 55 75	30 37 45	<b>S606 - 61 ... - 617G1</b> <b>S608 - 61 ... - 617G1</b> <b>S612 - 61 ... - 617G1</b>										
<b>SMD modules for basic switch (A84)</b>																
Mounting form module for 617G1			S600			<b>BFA6-003</b>										
Interlock module, mounting form 617G1						<b>ZVD6-DC024/90</b>										
G-operator module 88 x 88 mm, mounting form 617G1						<b>6AG1</b>										
Starting position of the handle 09h																
Escutcheon black, handle black																
G-operator module 88 x 88 mm, mounting form 617G1						<b>6BG1</b>										
Starting position of the handle 12h																
Escutcheon black, handle black																
Legend plate silver, operator module 617G1						<b>FAS6 - .... (FA number)</b>										
<b>Dimensions (mm)</b>																
<b>Type</b>	<b>A</b>	<b>A1</b>	<b>B1</b>	<b>B2</b>	<b>B3</b>	<b>B4</b>	<b>B5</b>	<b>C1</b>	<b>D</b>	<b>D1</b>	<b>D2</b>	<b>D3</b>	<b>E</b>	<b>L<sup>*)</sup></b>	<b>each add. stage</b>	
S606	88	86	152,4	170	76,2	205	150	66	210	20	5,5	5,5	68	59	22	
S608	88	86	152,4	170	76,2	205	150	66	210	20	5,5	5,5	68	66	26	
S612	88	86	152,4	170	76,2	205	150	66	210	20	5,5	5,5	68	72	32	
<b>L<sup>*)</sup> Dimension for switch with 1 contact stage</b>																

# Front mounting switch



**Product line  
S600**

**Front mounting switch**  
Solenoid lock device  
Solenoid 120V AC  
**Interlock**  
Solenoid energised

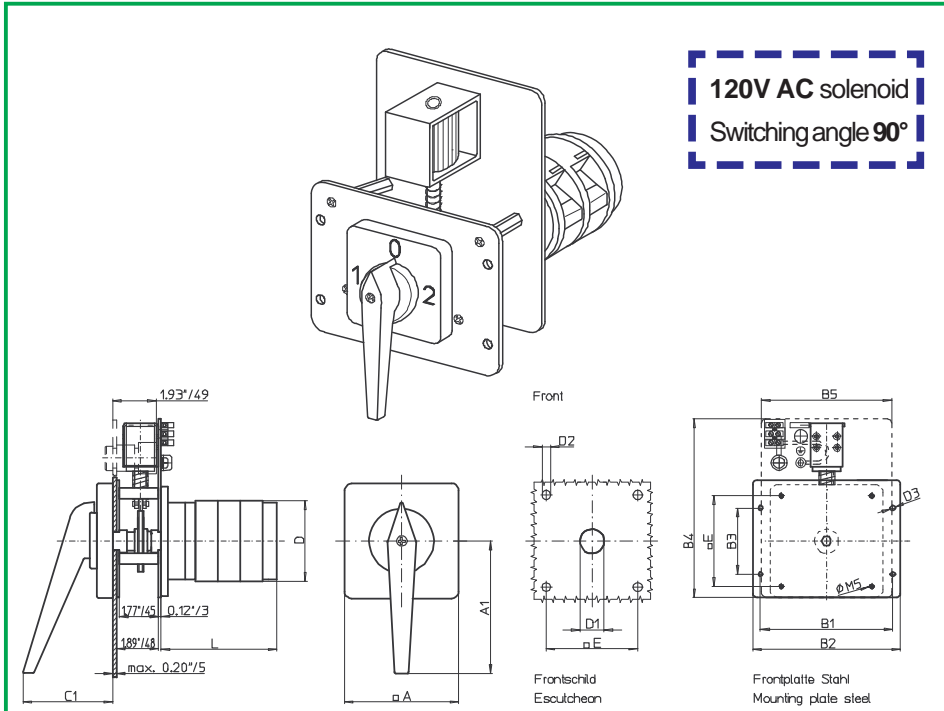
**Four hole mounting**  
152,4mm x 76,2mm (6" x 3")

**M-operator module**  
88 x 88 mm escutcheon

**618M1 (IP55)**

Complete switch	Poles	Product lines	Rated data (IEC 60947)			Order code number								
			Operational current I <sub>e</sub>	Operational power at 380–440 V										
			AC-21A A	AC-23A kW	AC-3 kW									
Rotary Cam Switches Switching angle 90° padlockable in 90° steps	1 ... 24	S600	80 100 160	45 55 75	30 37 45	<b>S606 - 61 ... - 618M1</b> <b>S608 - 61 ... - 618M1</b> <b>S612 - 61 ... - 618M1</b>								
<b>SMD modules for basic switch (A84)</b>														
Mounting form module for 618M1			S600			<b>BFA6-003</b>								
Interlock module, mounting form 618M1						<b>ZVD6-AC120/90</b>								
M-operator module 88 x 88 mm, mounting form 618M1						<b>6AM1</b>								
Starting position of the handle 09h														
Escutcheon black, handle black														
M-operator module 88 x 88 mm, mounting form 618M1						<b>6BM1</b>								
Starting position of the handle 12h														
Escutcheon black, handle black														
Legend plate silver, operator module 618M1						<b>FAS6 - .... (FA number)</b>								
<b>Dimensions (mm)</b>														
Type	A	B1	B2	B3	B4	B5	C1	D	D1	D2	D3	E	L <sup>*)</sup>	each add. stage
S606	88	152,4	170	76,2	205	150	52	210	20	5,5	5,5	68	59	22
S608	88	152,4	170	76,2	205	150	52	210	20	5,5	5,5	68	66	26
S612	88	152,4	170	76,2	205	150	52	210	20	5,5	5,5	68	72	32
L <sup>*)</sup> Dimension for switch with 1 contact stage														

# Front mounting switch



**120V AC solenoid**  
**Switching angle 90°**

**Product line**  
**S600**

**Front mounting switch**

Solenoid lock device

Solenoid 120V AC

**Interlock**

Solenoid energised

**Four hole mounting**

152,4mm x 76,2mm (6" x 3")

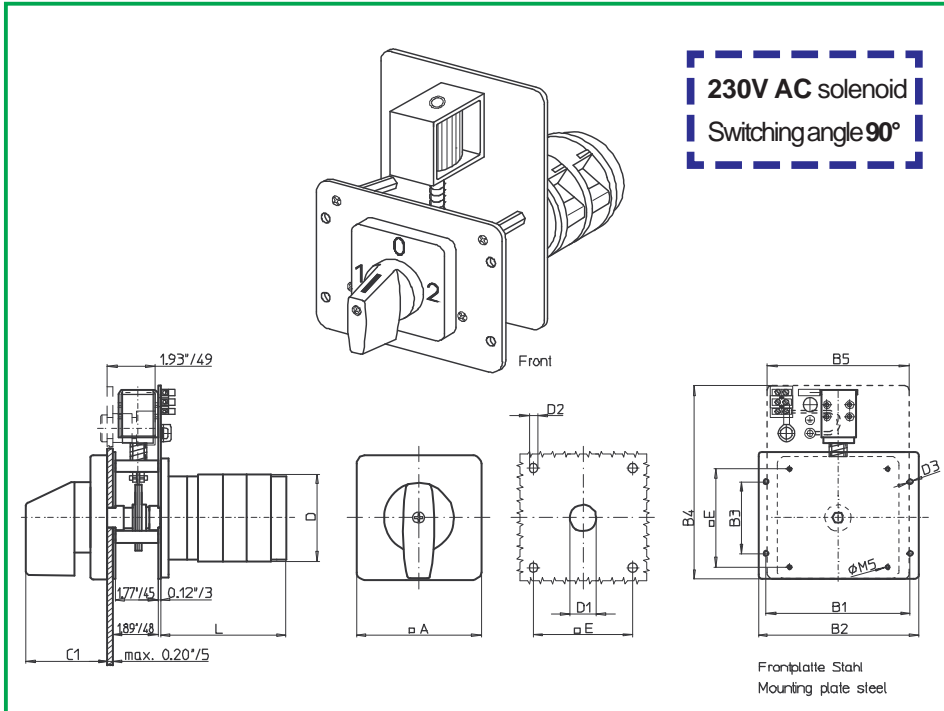
**G-operator module**

88 x 88 mm escutcheon

**618G1 (IP55)**

Complete switch	Poles	Product lines	Rated data (IEC 60947)			Order code number									
			Operational current I <sub>e</sub>	Operational power at 380–440 V											
			AC-21A A	AC-23A kW	AC-3 kW										
Rotary Cam Switches	1 ... 24	S600	80	45	30	<b>S606 - 61 ... - 618G1</b>									
Switching angle 90°			100	55	37	<b>S608 - 61 ... - 618G1</b>									
padlockable in 90° steps			160	75	45	<b>S612 - 61 ... - 618G1</b>									
<b>SMD modules for basic switch (A84)</b>															
Mounting form module for 618G1			S600			<b>BFA6-003</b>									
Interlock module, mounting form 618G1						<b>ZVD6-AC120/90</b>									
G-operator module 88 x 88 mm, mounting form 618G1						<b>6AG1</b>									
Starting position of the handle 09h															
Escutcheon black, handle black															
G-operator module 88 x 88 mm, mounting form 618G1						<b>6BG1</b>									
Starting position of the handle 12h															
Escutcheon black, handle black															
Legend plate silver, operator module 618G1						<b>FAS6 - .... (FA number)</b>									
<b>Dimensions (mm)</b>															
Type	A	A1	B1	B2	B3	B4	B5	C1	D	D1	D2	D3	E	L*)	each add. stage
S606	88	86	152,4	170	76,2	205	150	74	210	20	5,5	5,5	68	59	22
S608	88	86	152,4	170	76,2	205	150	74	210	20	5,5	5,5	68	66	26
S612	88	86	152,4	170	76,2	205	150	74	210	20	5,5	5,5	68	72	32
L*) Dimension for switch with 1 contact stage															

# Front mounting switch



**Product line  
S600**

**Front mounting switch**  
Solenoid lock device  
Solenoid 230V AC  
**Interlock**  
Solenoid energised

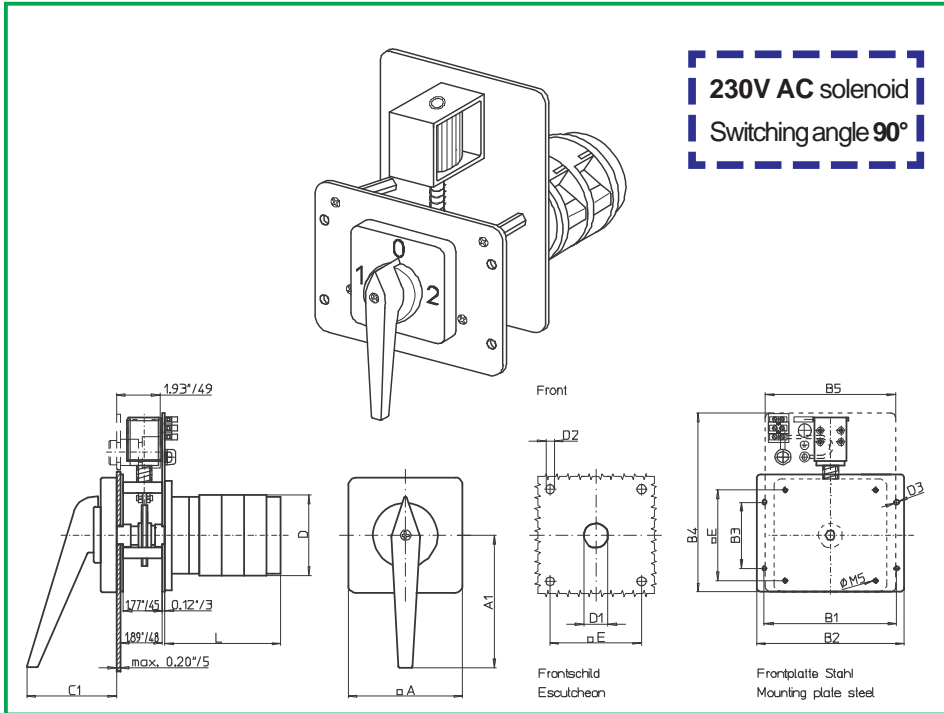
**Four hole mounting**  
152,4mm x 76,2mm (6" x 3")

**M-operator module**  
88 x 88 mm escutcheon

**619M1 (IP55)**

Complete switch	Poles	Product lines	Rated data (IEC 60947)			Order code number								
			Operational current I <sub>e</sub>	Operational power at 380–440 V										
			AC-21A A	AC-23A kW	AC-3 kW									
Rotary Cam Switches Switching angle 90° padlockable in 90° steps	1 ... 24	S600	80 100 160	45 55 75	30 37 45	<b>S606 - 61 ... - 619M1</b> <b>S608 - 61 ... - 619M1</b> <b>S612 - 61 ... - 619M1</b>								
<b>SMD modules for basic switch (A84)</b>														
Mounting form module for 619M1			S600			<b>BFA6-003</b>								
Interlock module, mounting form 619M1						<b>ZVD6-AC230/90</b>								
M-operator module 88 x 88 mm, mounting form 619M1						<b>6AM1</b>								
Starting position of the handle 09h														
Escutcheon black, handle black														
M-operator module 88 x 88 mm, mounting form 619M1						<b>6BM1</b>								
Starting position of the handle 12h														
Escutcheon black, handle black														
Legend plate silver, operator module 619M1						<b>FAS6 - .... (FA number)</b>								
<b>Dimensions (mm)</b>														
Type	A	B1	B2	B3	B4	B5	C1	D	D1	D2	D3	E	L*)	each add. stage
S606	88	152,4	170	76,2	205	150	52	210	20	5,5	5,5	68	59	22
S608	88	152,4	170	76,2	205	150	52	210	20	5,5	5,5	68	66	26
S612	88	152,4	170	76,2	205	150	52	210	20	5,5	5,5	68	72	32
L*) Dimension for switch with 1 contact stage														

# Front mounting switch



**Product line**  
**S600**

**Front mounting switch**  
Solenoid lock device  
Solenoid 230V AC  
**Interlock**  
Solenoid energised

**Four hole mounting**  
152,4mm x 76,2mm (6" x 3")

**G-operator module**  
88 x 88 mm escutcheon

**619G1 (IP55)**

Complete switch	Poles	Product lines	Rated data (IEC 60947)			Order code number
			Operational current I <sub>e</sub>	Operational power at 380–440 V		
			AC-21A A	AC-23A kW	AC-3 kW	
Rotary Cam Switches Switching angle 90° padlockable in 90° steps	1 ... 24	S600	80 100 160	45 55 75	30 37 45	<b>S606 - 61 ... - 619G1</b> <b>S608 - 61 ... - 619G1</b> <b>S612 - 61 ... - 619G1</b>

SMD modules for basic switch (A84)			
Mounting form module for 619G1		S600	<b>BFA6-003</b>
Interlock module, mounting form 619G1			<b>ZVD6-AC230/90</b>
G-operator module 88 x 88 mm, mounting form 619G1			<b>6AG1</b>
Starting position of the handle 09h			
Escutcheon black, handle black			
G-operator module 88 x 88 mm, mounting form 619G1			<b>6BG1</b>
Starting position of the handle 12h			
Escutcheon black, handle black			
Legend plate silver, operator module 619G1			<b>FAS6 - .... (FA number)</b>

Dimensions (mm)															each add. stage
Type	A	A1	B1	B2	B3	B4	B5	C1	D	D1	D2	D3	E	L <sup>*)</sup>	
S606	88	86	152,4	170	76,2	205	150	74	210	20	5,5	5,5	68	59	22
S608	88	86	152,4	170	76,2	205	150	74	210	20	5,5	5,5	68	66	26
S612	88	86	152,4	170	76,2	205	150	74	210	20	5,5	5,5	68	72	32

L<sup>\*)</sup> Dimension for switch with 1 contact stage





## Section B

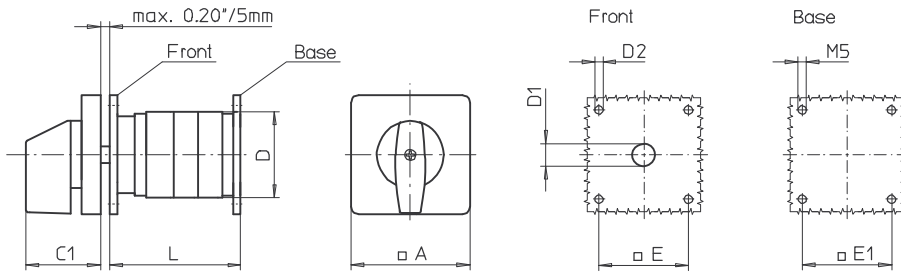
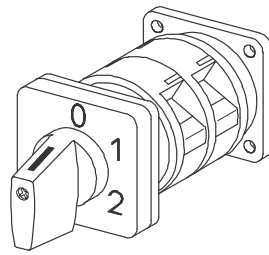
	Page	
	from	to
<b>Base/front mounting</b>	<b>B1-1</b>	<b>B1-3</b>
<b>Door clutch</b>	<b>B1-4</b>	<b>B1-8</b>
<b>Door clutch with door interlock</b>	<b>B1-9</b>	<b>B1-15</b>

---

**Originator: Sälzer Electric GmbH · Product Data Management (PDM) · 09306 Rochlitz (Germany)**  
Copyright reserved by Sälzer Electric GmbH. This document replaces all previous issues.  
Valid until a new version is published. Changes and revisions reserved.

# Base Mounting Switches

# sälzer



**Product line**  
**S600**

**Base mounting switch**

**Base/front mounting**

**Four hole mounting**

68 x 68 mm front

68 x 68 mm base

**M-operator module**

88 x 88 mm escutcheon

**002M1**

Complete switch	Poles	Product lines	Rated data (IEC 60947)			Order code number
			Operational current I <sub>e</sub>	Operational power at 380–440 V		
			AC-21A A	AC-23A kW	AC-3 kW	
Rotary Cam Switches	1 ... 24	S600	80	45	30	<b>S606 - 61 ... - 002M1</b>
Switching angle 30°/45°/60°/90°			100	55	37	<b>S608 - 61 ... - 002M1</b>
			160	75	45	<b>S612 - 61 ... - 002M1</b>

**SMD modules for basic switch (A33)**

Mounting form module for 002M1	S600	<b>BFA6 - 002</b>
M-operator module 88 x 88 mm, mounting form 002M1		<b>6AM1</b>
Starting position of the handle 09h		
Escutcheon black, handle black		
M-operator module 88 x 88 mm, mounting form 002M1		<b>6BM1</b>
Starting position of the handle 12h		
Escutcheon black, handle black		
Legend plate silver, operator module 002M1		<b>FAS6 - .... (FA number)</b>

**Dimensions (mm)**

Type	A	C1	D	D1	D2	E1	E2	L with ... stages (max. 12)						each add. stage
								1	2	3	4	5	6	
S606	88	52	84	15	5,5	68	68	64	86	108	130	152	174	22
S608	88	52	88	15	5,5	68	68	71	97	123	149	175	201	26
S612	88	52	88	15	5,5	68	68	77	109	141	173	205	237	32

# Base Mounting Switches

# sälzer

**Product line**  
**S600**

**Base mounting switch**

**Base/front mounting**

**Four hole mounting**

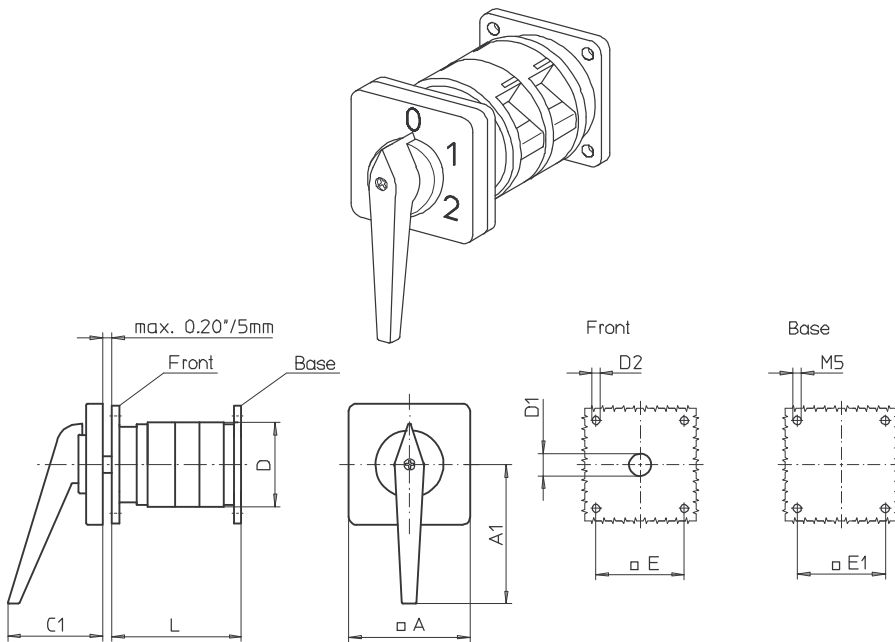
68 x 68 mm front

68 x 68 mm base

**G-operator module**

88 x 88 mm escutcheon

**002G1**



Complete switch	Poles	Product lines	Rated data (IEC 60947)			Order code number
			Operational current I <sub>e</sub>	Operational power at 380–440 V		
			AC-21A A	AC-23A kW	AC-3 kW	
Rotary Cam Switches Switching angle 30°/45°/60°/90°	1 ... 24	S600	80 100 160	45 55 75	30 37 45	<b>S606 - 61 ... - 002G1</b> <b>S608 - 61 ... - 002G1</b> <b>S612 - 61 ... - 002G1</b>

SMD modules for basic switch (A33)	Product lines	Order code number
Mounting form module for 002G1	S600	<b>BFA6 - 002</b>
G-operator module 88 x 88 mm, mounting form 002G1 Starting position of the handle 09h Escutcheon black, handle black		<b>6AG1</b>
G-operator module 88 x 88 mm, mounting form 002G1 Starting position of the handle 12h Escutcheon black, handle black		<b>6BG1</b>
Legend plate silver, operator module 002G1		<b>FAS6 - .... (FA number)</b>

Type	Dimensions (mm)								L with ... stages (max. 12)					each add. stage
	A	A1	C1	D	D1	D2	E1	E2	1	2	3	4	5	
S606	88	86	66	84	15	5,5	68	68	64	86	108	130	152	22
S608	88	86	66	88	15	5,5	68	68	71	97	123	149	175	26
S612	88	86	66	88	15	5,5	68	68	77	109	141	173	205	32

# Base Mounting Switches

# sälzer

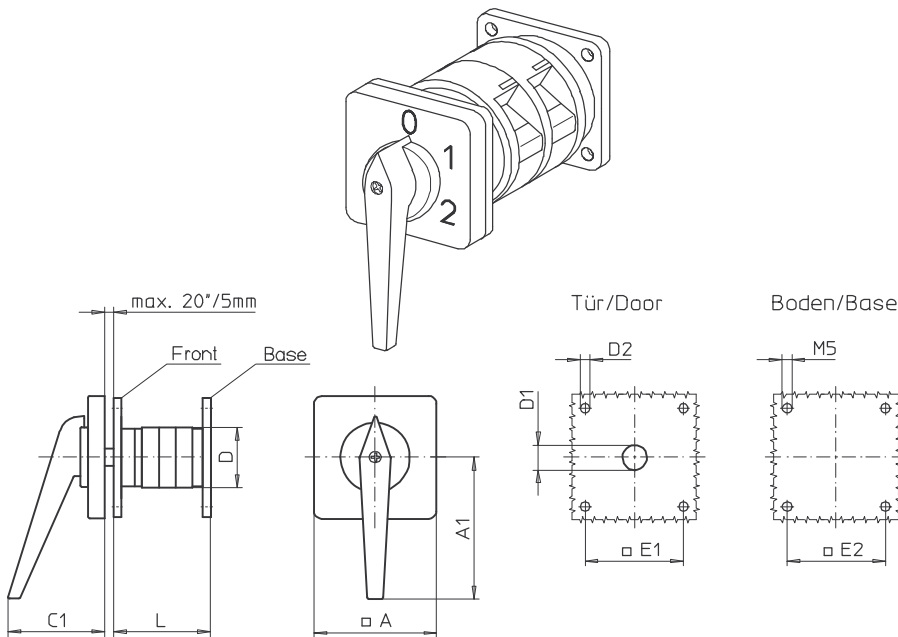
**Product line**  
**S600**

**Base mounting switch**  
operator module of next size  
**Base/front mounting**

**Four hole mounting**  
104 x 104 mm front  
104 x 104 mm base

**G-operator module**  
130 x130 mm escutcheon

**012G1**



Complete switch	Poles	Product lines	Rated data (IEC 60947)			Order code number
			Operational current I <sub>e</sub>	Operational power at 380–440 V		
			AC-21A A	AC-23A kW	AC-3 kW	
Rotary Cam Switches	1 ... 24	S600	80	45	30	<b>S606 - 61 ... - 012G1</b>
Switching angle 30°/45°/60°/90°			100	55	37	<b>S608 - 61 ... - 012G1</b>
			160	75	45	<b>S612 - 61 ... - 012G1</b>

### SMD modules for basic switch (A33)

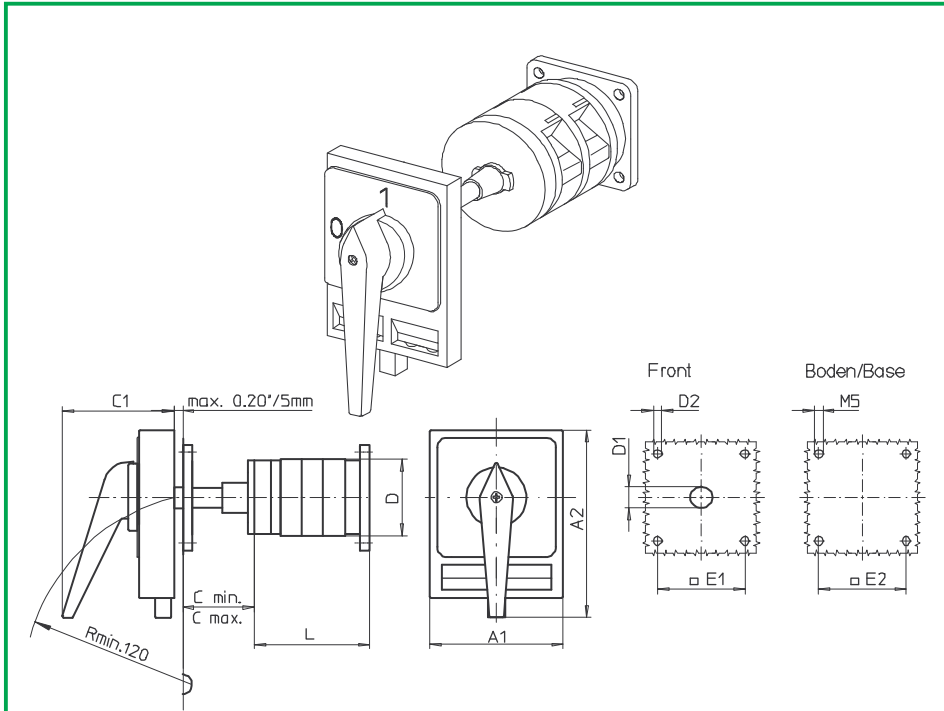
Mounting form module for 012G1	S600	<b>BFA6 - 012</b>
G-operator module 88 x 88 mm, mounting form 012G1		<b>8CG1</b>
Starting position of the handle 09h		
Escutcheon black, handle black		
G-operator module 88 x 88 mm, mounting form 012G1		<b>8DG1</b>
Starting position of the handle 12h		
Escutcheon black, handle black		
Legend plate silver, operator module 012G1		<b>FAS8 - .... (FA number)</b>

### Dimensions (mm)

Type	A	A1	C1	D	D1	D2	E1/E2	L with ... stages (max. 12)						each add. stage
								1	2	3	4	5	6	
S606	130	117	74	84	20	5,5	104	70	92	114	136	158	180	22
S608	130	117	74	88	20	5,5	104	77	103	129	155	181	207	26
S612	130	117	74	88	20	5,5	104	83	115	147	179	211	243	32

# Base Mounting Switches

# sälzer



**Product line**  
**S600**

**Base mounting switch**

**Door clutch**

**Base mounting**  
68 x 68 mm base

**H-padlock device**  
98 x 142 mm

**040H1 (IP55)**

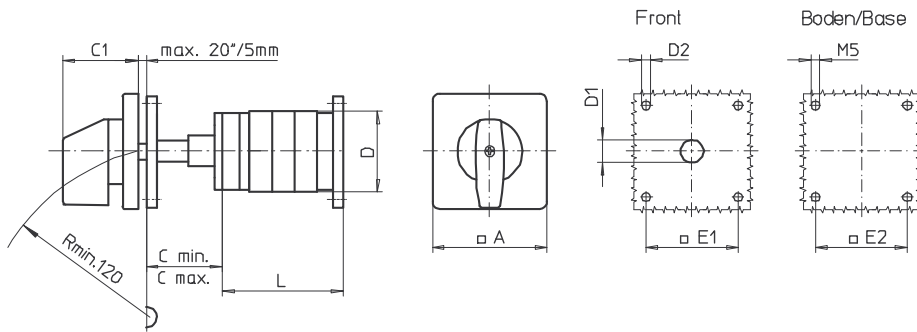
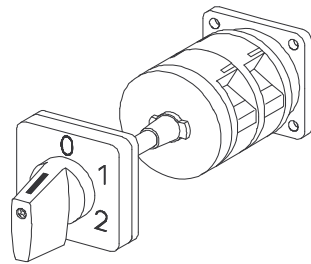
Complete switch	Poles	Product lines	Rated data (IEC 60947)			Order code number
			Operational current I <sub>e</sub>	Operational power at 380–440 V		
			AC-21A A	AC-23A kW	AC-3 kW	
Rotary Cam Switches	1 ... 24	S600	80	45	30	<b>S606 - 61 ... - 040H1</b>
Switching angle 90°			100	55	37	<b>S608 - 61 ... - 040H1</b>
padlockable 09h/12h/03h/06h			160	75	45	<b>S612 - 61 ... - 040H1</b>

SMD modules for basic switch (A33)			
Mounting form module for 041M1		S600	<b>BFA6 - 041</b>
H-padlock device 98 x 142 mm, mounting form 040H1			<b>6CH1-99</b>
Starting position of the handle 09h			
Escutcheon black, handle black			
H-padlock device 98 x 142 mm, mounting form 040H1			<b>6EH1-99</b>
Starting position of the handle 12h			
Escutcheon black, handle black			
Legend plate silver, operator module 040H1			<b>FAS6 - .... (FA number)</b>

Dimensions (mm)													
Type	A1	A2	Cmin	Cmax	C1	D	D1	D2	E1	E2	L with ... stages (max. 12) each add. stage		
											1	2	
S606	98	142	48	60	83	84	18	5,5	68	68	58	80	22
S608	98	142	48	60	83	88	18	5,5	68	68	65	91	26
S612	98	142	48	60	83	88	18	5,5	68	68	71	103	32

# Base Mounting Switches

# sälzer



**Product line**  
**S600**

**Base mounting switch**

**Door clutch**

**Base mounting**

68 x 68 mm base

**M-operator module**

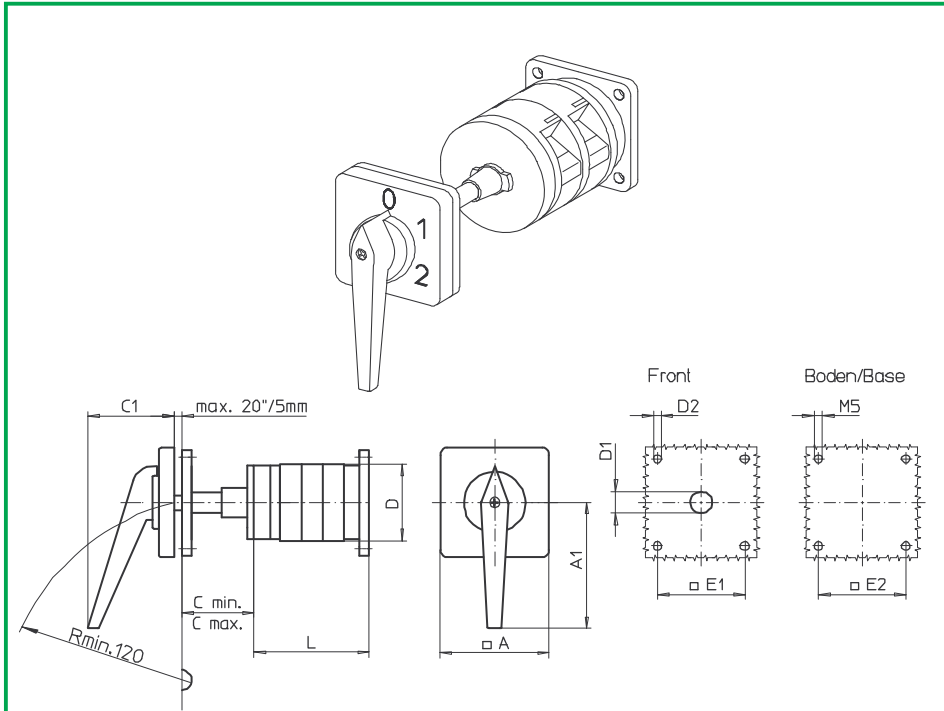
88 x 88 mm escutcheon

**041M1 (IP55)**

Complete switch	Poles	Product lines	Rated data (IEC 60947)			Order code number							
			Operational current I <sub>e</sub>	Operational power at 380–440 V									
			AC-21A A	AC-23A kW	AC-3 kW								
Rotary Cam Switches	1 ... 24	S600	80	45	30	<b>S606 - 61 ... - 041M1</b>							
Switching angle 30°/45°/60°/90°			100	55	37	<b>S608 - 61 ... - 041M1</b>							
			160	75	45	<b>S612 - 61 ... - 041M1</b>							
<b>SMD modules for basic switch (A33)</b>													
Mounting form module for 041M1			S600			<b>BFA6 - 041</b>							
M-operator module 88 x 88 mm, mounting form 041M1						<b>6AM1</b>							
Starting position of the handle 09h													
Escutcheon black, handle black													
M-operator module 88 x 88 mm, mounting form 041M1						<b>6BM1</b>							
Starting position of the handle 12h													
Escutcheon black, handle black													
Legend plate silver, operator module 041M1						<b>FAS6 - .... (FA number)</b>							
<b>Dimensions (mm)</b>													
Type	A	C <sub>min</sub>	C <sub>max</sub>	C1	D	D1	D2	E1	E2	L with ... stages (max. 12)			each add. stage
										1	2	3	
S606	88	48	60	52	84	18	5,5	68	68	58	80	107	22
S608	88	48	60	52	88	18	5,5	68	68	65	91	117	26
S612	88	48	60	52	88	18	5,5	68	68	71	103	135	32

# Base Mounting Switches

# sälzer



**Product line**  
**S600**

**Base mounting switch**

**Door clutch**

**Base mounting**

68 x 68 mm base

**G-operator module**

88 x 88 mm escutcheon

**041G1 (IP55)**

Complete switch	Poles	Product lines	Rated data (IEC 60947)			Order code number							
			Operational current $I_e$	Operational power at 380–440 V									
			AC-21A A	AC-23A kW	AC-3 kW								
Rotary Cam Switches	1 ... 24	S600	80	45	30	<b>S606 - 61 ... - 041G1</b>							
Switching angle 30°/45°/60°/90°			100	55	37	<b>S608 - 61 ... - 041G1</b>							
			160	75	45	<b>S612 - 61 ... - 041G1</b>							
<b>SMD modules for basic switch (A33)</b>													
Mounting form module for 041G1			S600			<b>BFA6 - 041</b>							
G-operator module 88 x 88 mm, mounting form 041G1						<b>6AG1</b>							
Starting position of the handle 09h													
Escutcheon black, handle black													
G-operator module 88 x 88 mm, mounting form 041G1						<b>6BG1</b>							
Starting position of the handle 12h													
Escutcheon black, handle black													
Legend plate silver, operator module 041G1						<b>FAS6 - .... (FA number)</b>							
<b>Dimensions (mm)</b>													
Type	A	Cmin	Cmax	C1	D	D1	D2	E1	E2	L with ... stages (max. 12)			
										1	2	3	each add. stage
S606	88	48	60	66	84	18	5,5	68	68	58	80	107	22
S608	88	48	60	66	88	18	5,5	68	68	65	91	117	26
S612	88	48	60	66	88	18	5,5	68	68	71	103	135	32

# Base Mounting Switches

**sälzer**

**Product line  
S600**

**Base mounting switch**

**Door clutch**

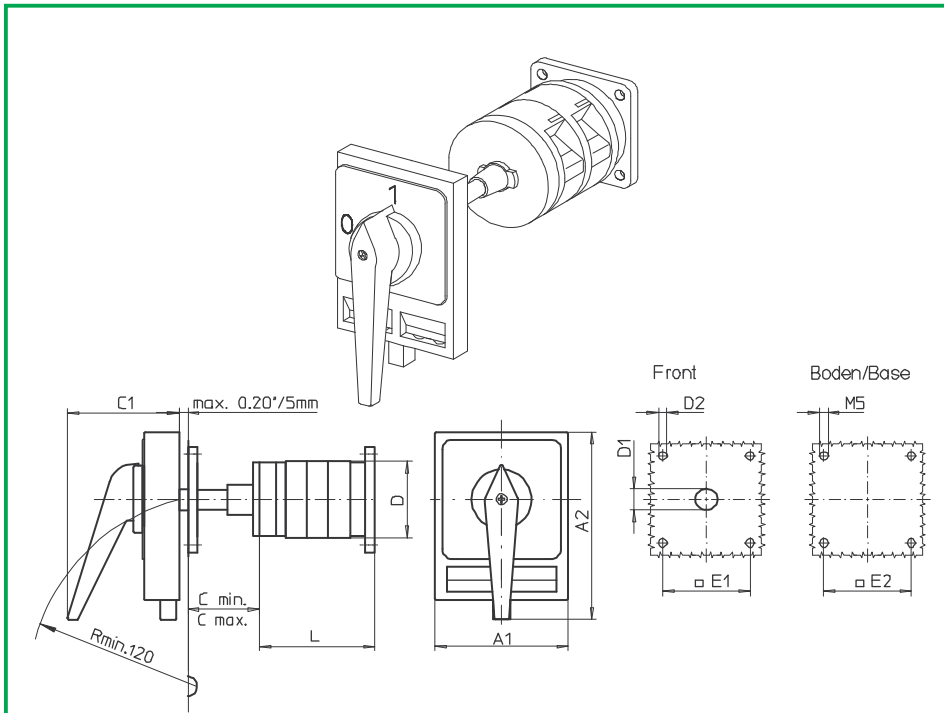
**Base mounting**

68 x 68 mm base

**H-padlock device**

98 x 142 mm

**041H1 (IP55)**



Complete switch	Poles	Product lines	Rated data (IEC 60947)			Order code number
			Operational current I <sub>e</sub>	Operational power at 380–440 V		
			AC-21A A	AC-23A kW	AC-3 kW	
Rotary Cam Switches	1 ... 24	S600	80	45	30	<b>S606 - 61 ... - 041H1</b>
Switching angle 90°			100	55	37	<b>S608 - 61 ... - 041H1</b>
padlockable 12h			160	75	45	<b>S612 - 61 ... - 041H1</b>

SMD modules for basic switch (A33)		S600	Order code number
Mounting form module for 041H1			
H-padlock device 98 x 142 mm, mounting form 041H1			<b>6CH1-12</b>
Starting position of the handle 09h			
Escutcheon black, handle black			
H-padlock device 98 x 142 mm, mounting form 041H1			<b>6EH1-12</b>
Starting position of the handle 12h			
Escutcheon black, handle black			
Legend plate silver, operator module 041H1			<b>FAS6 - .... (FA number)</b>

Dimensions (mm)													
Type	A1	A2	C <sub>min</sub>	C <sub>max</sub>	C1	D	D1	D2	E1	E2	L with ... stages (max. 12) each add. stage		
											1	2	stage
S606	98	142	48	60	83	84	18	5,5	68	68	58	80	22
S608	98	142	48	60	83	88	18	5,5	68	68	65	91	26
S612	98	142	48	60	83	88	18	5,5	68	68	71	103	32



# Base Mounting Switches

# sälzer

**Product line**  
**S600**

**Base mounting switch**

**Door clutch**

**Base mounting**

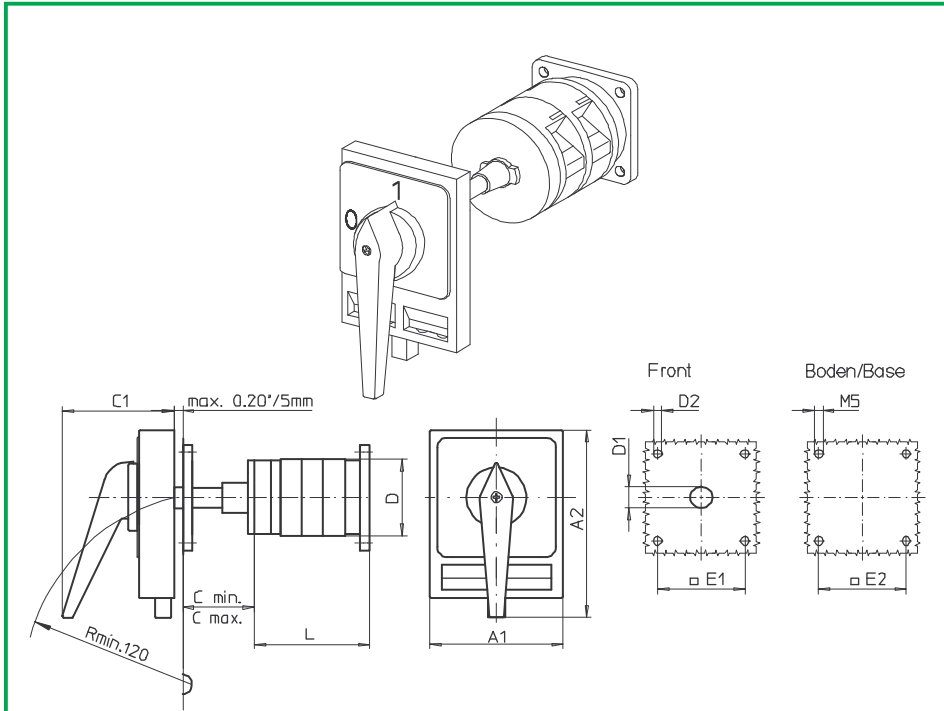
68 x 68 mm base

**H-padlock device**

98 x 142 mm

**044H1 (IP55)**

**044H4 (IP55)**



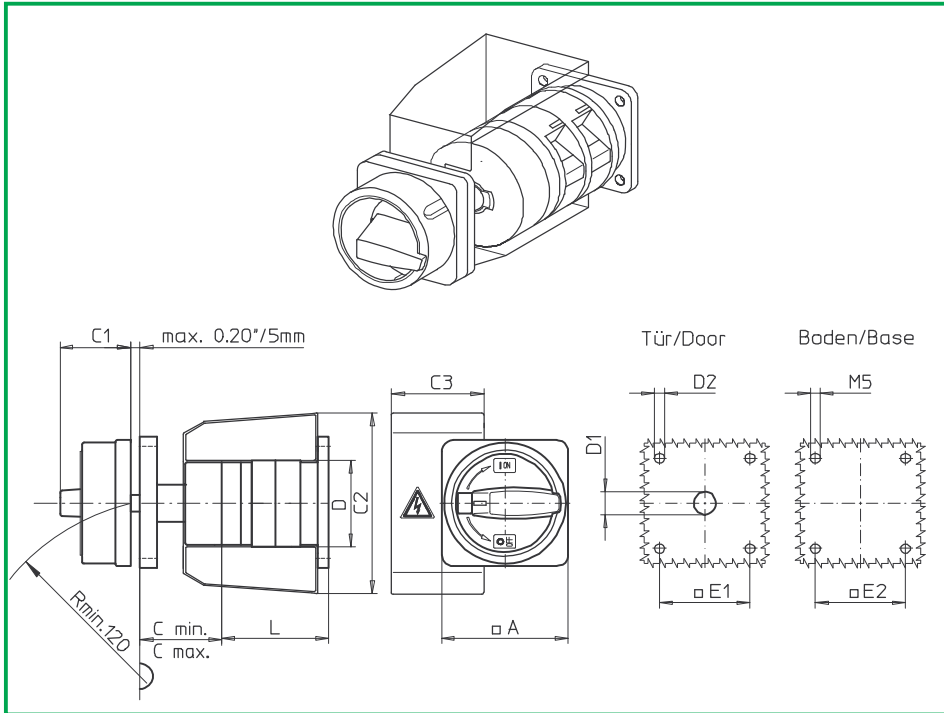
Complete switch	Poles	Product lines	Rated data (IEC 60947)			Order code number
			Operational current I <sub>e</sub>	Operational power at 380–440 V		
			AC-21A A	AC-23A kW	AC-3 kW	
Rotary Cam Switches Switching angle 90° padlockable 09h	1 ... 24	S600	80	45	30	<b>S606 - 61 ... - 044H1</b>
			100	55	37	<b>S608 - 61 ... - 044H1</b>
			160	75	45	<b>S612 - 61 ... - 044H1</b>
	1 ... 24	S600	80	45	30	<b>S606 - 61 ... - 044H4</b>
100			55	37	<b>S608 - 61 ... - 044H4</b>	
160			75	45	<b>S612 - 61 ... - 044H4</b>	

SMD modules for basic switch (A33)			
Mounting form module for 044H1/044H4		S600	<b>BFA6 - 041</b>
H-padlock device 98 x 142 mm, mounting form 044H1 Starting position of the handle 09h, Escutcheon black, handle black			<b>6CH1-09</b>
H-padlock device 98 x 142 mm, mounting form 044H4 Starting position of the handle 09h, Escutcheon black, handle red			<b>6CH4-09</b>
Legend plate silver, operator module 044H1			<b>FAS6 - .... (FA number)</b>
Legend plate yellow, operator module 044H4			<b>FBS6 - .... (FA number)</b>

Dimensions (mm)													
Type	A1	A2	C <sub>min</sub>	C <sub>max</sub>	C1	D	D1	D2	E1	E2	L with ... stages (max. 12) each add. stage		
											1	2	stage
S606	98	142	48	60	83	84	18	5,5	68	68	58	80	22
S608	98	142	48	60	83	88	18	5,5	68	68	65	91	26
S612	98	142	48	60	83	88	18	5,5	68	68	71	103	32

# Base Mounting Switches

**sälzer**



**Product line  
S600**

**Base mounting switch**

**Door clutch with  
door interlock**

**Base mounting  
68 x 68 mm base**

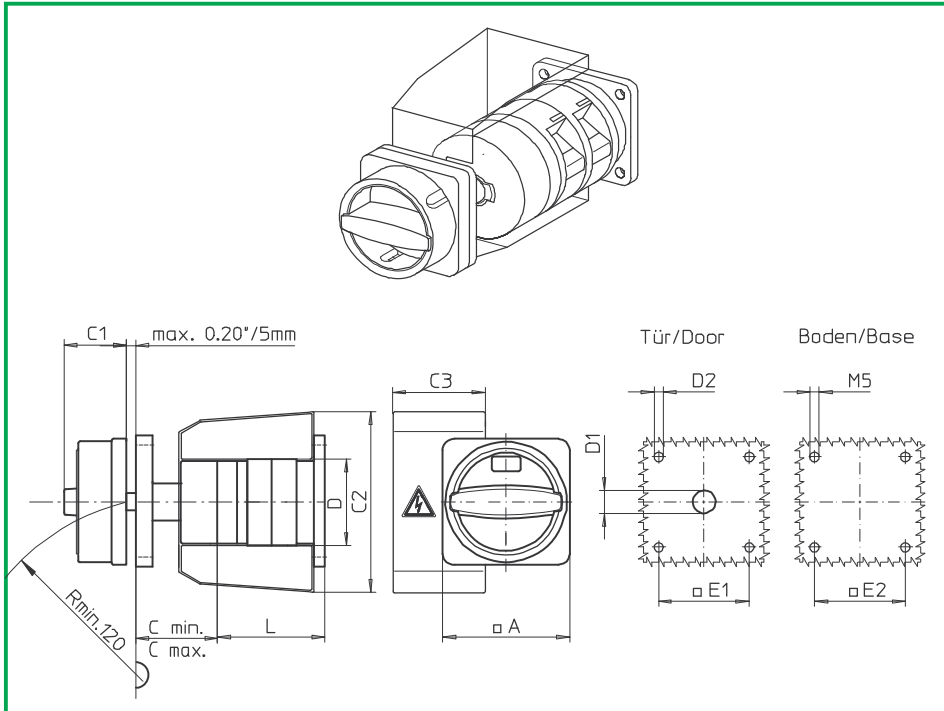
**M-padlock device  
88 x 88 mm**

**034M1 (IP55)**

**034M4 (IP55)**

Complete switch	Poles	Product lines	Rated data (IEC 60947)			Order code number							
			Operational current I <sub>e</sub>	Operational power at 380–440 V									
			AC-21A A	AC-23A kW	AC-3 kW								
Main Switches	3 ... 8	S600	80	45	30	<b>S606 - 61 ... - 034M1</b>							
Switching angle 90°			100	55	37	<b>S608 - 61 ... - 034M1</b>							
OFF position padlockable 09h			160	75	45	<b>S612 - 61 ... - 034M1</b>							
Main/Emergency-Off Switches	3 ... 8	S600	80	45	30	<b>S606 - 61 ... - 034M4</b>							
Switching angle 90°			100	55	37	<b>S608 - 61 ... - 034M4</b>							
OFF position padlockable 09h			160	75	45	<b>S612 - 61 ... - 034M4</b>							
<b>SMD modules for basic switch (A33)</b>													
Mounting form module for 034M.			S600			<b>BFA6 - 042</b>							
M-padlock device 88 x 88 mm, mounting form 034M1 Escutcheon black, padlockable handle black						<b>6KM1</b>							
M-padlock device 88 x 88 mm, mounting form 034M4 Escutcheon yellow, padlockable handle red						<b>6KM4</b>							
Additional legend plate						<b>FAZ2-8041</b>							
Terminal cover				2 contact stages		S606,S608 <b>TCA6</b> S612 <b>TCC6</b>							
<b>Dimensions (mm)</b>													
Type	A	C <sub>min</sub>	C <sub>max</sub>	C1	D	D1	D2	E1	E2	L with ... stages (max. 4) each add.			stage
S606	88	48	60	50	84	18	5,5	68	68	58	80	107	22
S608	88	48	60	50	88	18	5,5	68	68	65	91	117	26
S612	88	48	60	50	88	18	5,5	68	68	71	103	135	32

# Base Mounting Switches



**Product line**  
**S600**

**Base mounting switch**

**Door clutch with door interlock**

**Base mounting**  
68 x 68 mm base

**N-padlock device**  
88 x 88 mm

**034N1 (IP55)**

**034N4 (IP55)**

Complete switch	Poles	Product lines	Rated data (IEC 60947)			Order code number
			Operational current I <sub>e</sub>	Operational power at 380–440 V		
			AC-21A A	AC-23A kW	AC-3 kW	
Main Switches	3 ... 8	S600	80	45	30	<b>S606 - 61 ... - 034N1</b>
Switching angle 90°			100	55	37	<b>S608 - 61 ... - 034N1</b>
OFF position padlockable 09h			160	75	45	<b>S612 - 61 ... - 034N1</b>
Main/Emergency-Off Switches	3 ... 8	S600	80	45	30	<b>S606 - 61 ... - 034N4</b>
Switching angle 90°			100	55	37	<b>S608 - 61 ... - 034N4</b>
OFF position padlockable 09h			160	75	45	<b>S612 - 61 ... - 034N4</b>

<b>SMD modules for basic switch (A33)</b>						
Mounting form module for 034N.			S600			<b>BFA6 - 042</b>
N-padlock device 88 x 88 mm, mounting form 034N1						<b>6KN1</b>
Escutcheon black, padlockable handle black						
N-padlock device 88 x 88 mm, mounting form 034N4						<b>6KN4</b>
Escutcheon yellow, padlockable handle red						
Additional legend plate						<b>FAZZ-8041</b>
Terminal cover			2 contact stages			S606,S608 <b>TCA6</b> S612 <b>TCC6</b>

Dimensions (mm)												L with ... stages (max. 4) each add. stage		
Type	A	C <sub>min</sub>	C <sub>max</sub>	C1	C2	C3	D	D1	D2	E1	E2	1	2	3
S606	88	48	60	45	125	89	84	18	5,5	68	68	58	80	22
S608	88	48	60	45	125	89	88	18	5,5	68	68	65	91	26
S612	88	48	60	45	125	89	88	18	5,5	68	68	71	103	32

# Base Mounting Switches

# sälzer

**Product line**  
**S600**

**Base mounting switch**

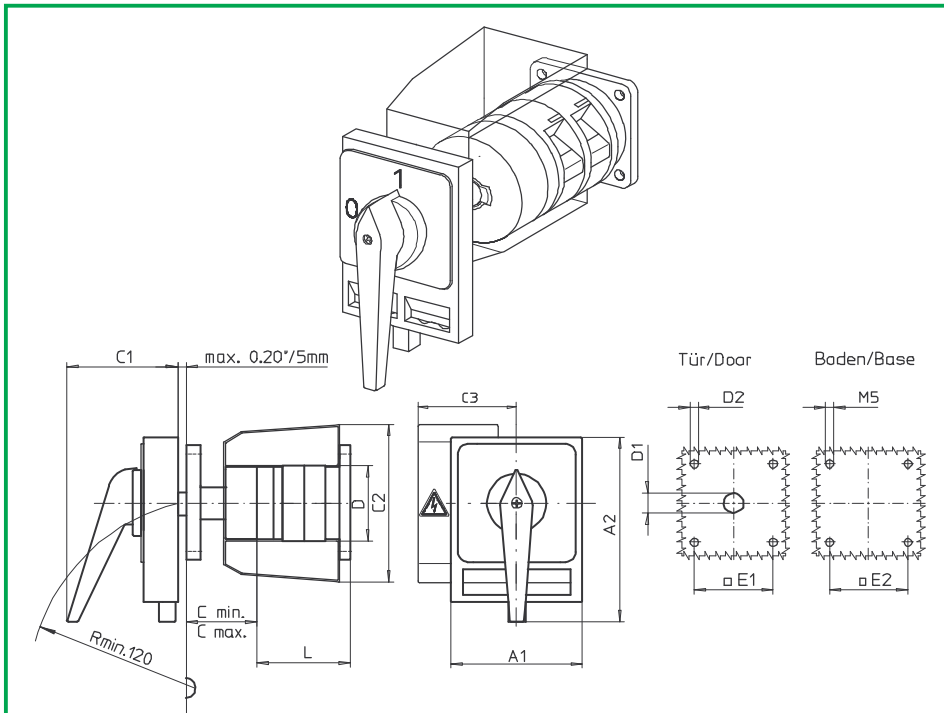
**Door clutch with**  
**door interlock**

**Base mounting**  
68 x 68 mm base

**H-padlock device**  
98 x 142 mm

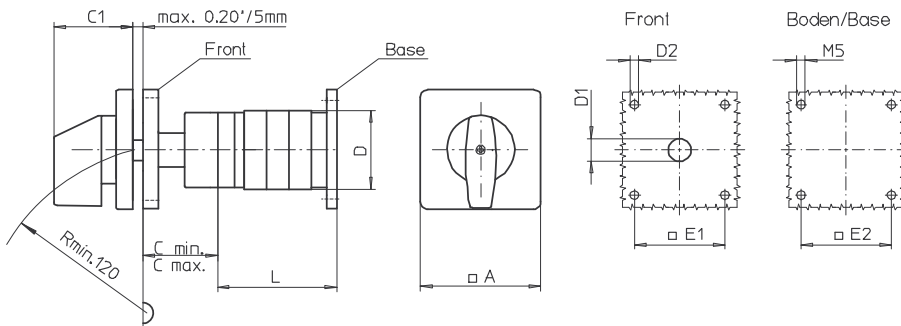
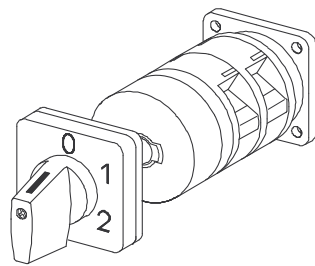
**034H1 (IP55)**

**034H4 (IP55)**



Complete switch	Poles	Product lines	Rated data (IEC 60947)			Order code number								
			Operational current I <sub>e</sub>	Operational power at 380–440 V										
			AC-21A A	AC-23A kW	AC-3 kW									
Main Switches	3 ... 8	S600	80	45	30	<b>S606 - 61 ... - 034H1</b>								
Switching angle 90°			100	55	37	<b>S608 - 61 ... - 034H1</b>								
OFF position padlockable 09h			160	75	45	<b>S612 - 61 ... - 034H1</b>								
Main/Emergency-Off Switches	3 ... 8	S600	80	45	30	<b>S606 - 61 ... - 034H4</b>								
Switching angle 90°			100	55	37	<b>S608 - 61 ... - 034H4</b>								
OFF position padlockable 09h			160	75	45	<b>S612 - 61 ... - 034H4</b>								
<b>SMD modules for basic switch (A33)</b>														
Mounting form module for 034H.			S600			<b>BFA6 - 042</b>								
H-padlock device black, mounting form 034H1						<b>6CH1-09</b>								
Starting position of the handle 09h, H-handle black														
H-padlock device black, mounting form 034H4						<b>6CH4-09</b>								
Starting position of the handle 09h, H-handle red														
Legend plate silver, mounting form 034H1						<b>FAS6 - .... (FA number)</b>								
Legend plate yellow, mounting form 034H4						<b>FBS6 - .... (FA number)</b>								
Additional legend plate						<b>FAZ2-8041</b>								
Terminal cover						S606, S608      S612 <b>TCA6            TCC6</b>								
<b>Dimensions (mm)</b>														
						L with ... stages (max. 4) each add. stage								
Type	A1	A2	Cmin	Cmax	C1	C2	C3	D	D1	D2	E1/E2	1	2	stage
S606	98	142	48	60	83	125	89	84	18	5,5	68	58	80	22
S608	98	142	48	60	83	125	89	88	18	5,5	68	65	91	26
S612	98	142	48	60	83	125	89	88	18	5,5	68	71	103	32

# Base Mounting Switches



**Product line**  
**S600**

**Base mounting switch**

**Door clutch with door interlock**

**Base mounting**  
68 x 68 mm base

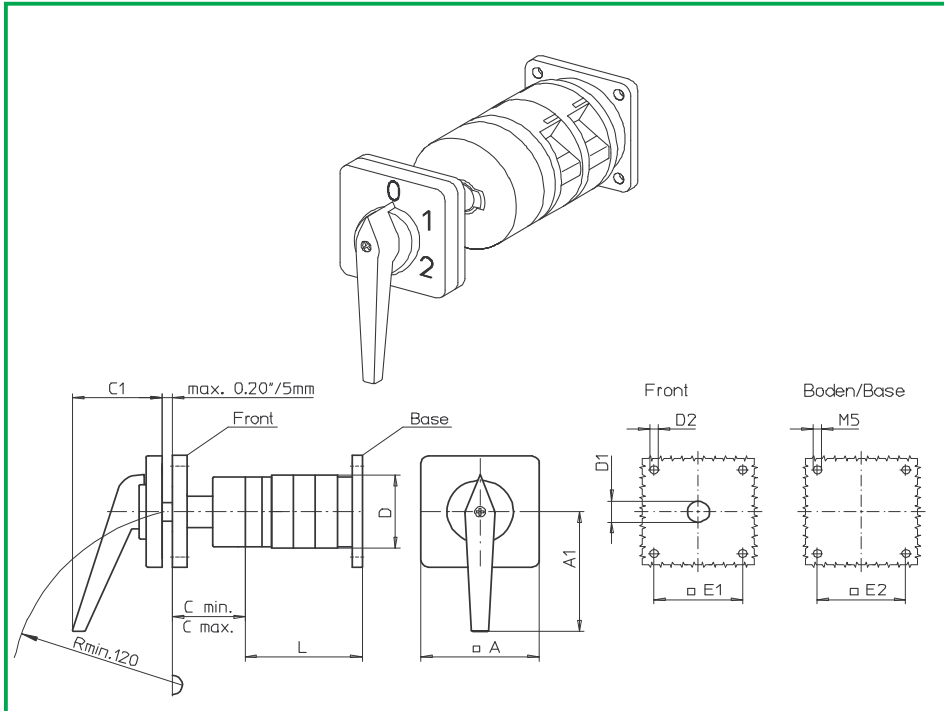
**M-operator module**  
88 x 88 mm escutcheon

**042M1 (IP55)**

Complete switch	Poles	Product lines	Rated data (IEC 60947)			Order code number							
			Operational current I <sub>e</sub>	Operational power at 380–440 V									
			AC-21A A	AC-23A kW	AC-3 kW								
Rotary Cam Switches	1 ... 24	S600	80	45	30	<b>S606 - 61 ... - 042M1</b>							
Switching angle 30°/45°/60°/90°			100	55	37	<b>S608 - 61 ... - 042M1</b>							
			160	75	45	<b>S612 - 61 ... - 042M1</b>							
<b>SMD modules for basic switch (A33)</b>													
Mounting form module for 042M1		S600				<b>BFA6 - 042</b>							
M-operator module 88 x 88 mm, mounting form 042M1						<b>6AM1</b>							
Starting position of the handle 09h													
Escutcheon black, handle black													
M-operator module 88 x 88 mm, mounting form 042M1						<b>6BM1</b>							
Starting position of the handle 12h													
Escutcheon black, handle black													
Legend plate silver, operator module 042M1						<b>FAS6 - .... (FA number)</b>							
<b>Dimensions (mm)</b>													
<b>Type</b>	<b>A</b>	<b>C<sub>min</sub></b>	<b>C<sub>max</sub></b>	<b>C1</b>	<b>D</b>	<b>D1</b>	<b>D2</b>	<b>E1</b>	<b>E2</b>	L with ... stages (max. 12)			<b>each add. stage</b>
S606	88	48	60	52	84	18	5,5	68	68	1	2	3	22
S608	88	48	60	52	88	18	5,5	68	68	65	91	117	26
S612	88	48	60	52	88	18	5,5	68	68	71	103	135	32

# Base Mounting Switches

**sälzer**



**Product line  
S600**

**Base mounting switch**

**Door clutch with  
door interlock**

**Base mounting  
68 x 68 mm base**

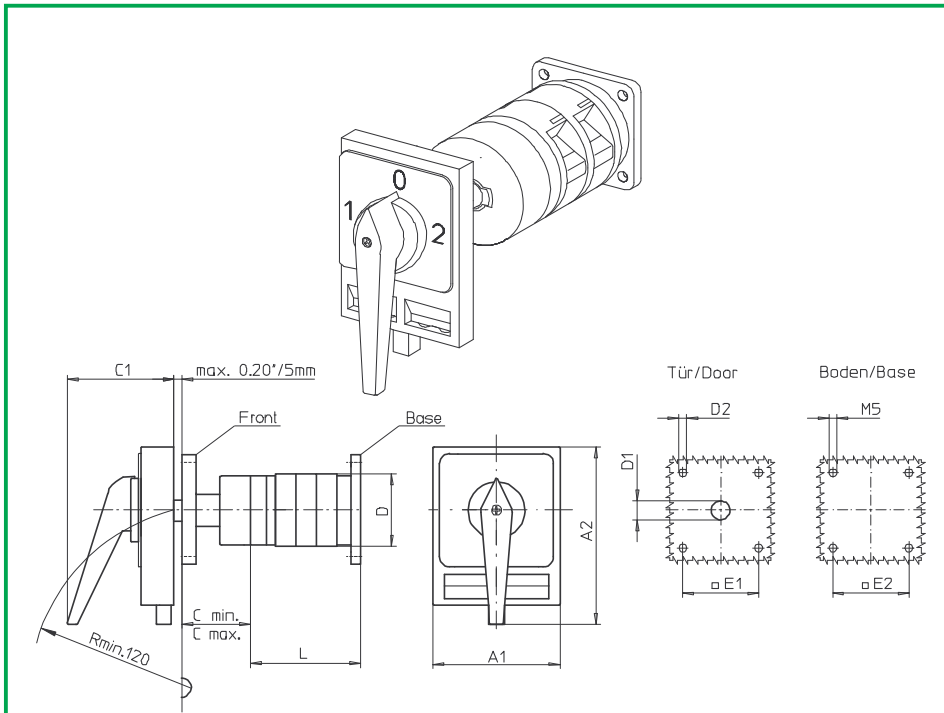
**G-operator module  
88 x 88 mm escutcheon**

**042G1 (IP55)**

Complete switch	Poles	Product lines	Rated data (IEC 60947)			Order code number							
			Operational current $I_e$	Operational power at 380–440 V									
			AC-21A A	AC-23A kW	AC-3 kW								
Rotary Cam Switches Switching angle 30°/45°/60°/90°	1 ... 24	S600	80 100 160	45 55 75	30 37 45	<b>S606 - 61 ... - 042G1</b> <b>S608 - 61 ... - 042G1</b> <b>S612 - 61 ... - 042G1</b>							
<b>SMD modules for basic switch (A33)</b>													
Mounting form module for 042G1			S600			<b>BFA6 - 042 6AG1</b>							
G-operator module 88 x 88 mm, mounting form 042G1 Starting position of the handle 09h Escutcheon black, handle black						<b>6BG1</b>							
G-operator module 88 x 88 mm, mounting form 042G1 Starting position of the handle 12h Escutcheon black, handle black						<b>FAS6 - .... (FA number)</b>							
<b>Legend plate silver, operator module 042G1</b>													
<b>Dimensions (mm)</b>													
<b>Type</b>	<b>A</b>	<b>A1</b>	<b>Cmin</b>	<b>Cmax</b>	<b>C1</b>	<b>D</b>	<b>D1</b>	<b>D2</b>	<b>E1</b>	<b>E2</b>	<b>1</b>	<b>2</b>	<b>L with ... stages (max. 12) each add. stage</b>
S606	88	86	48	60	66	84	18	5,5	68	68	58	80	22
S608	88	86	48	60	66	88	18	5,5	68	68	65	91	26
S612	88	86	48	60	66	88	18	5,5	68	68	71	103	32

# Base Mounting Switches

**sälzer**



**Product line  
S600**

**Base mounting switch**

**Door clutch with  
door interlock**

**Base mounting  
68 x 68 mm base**

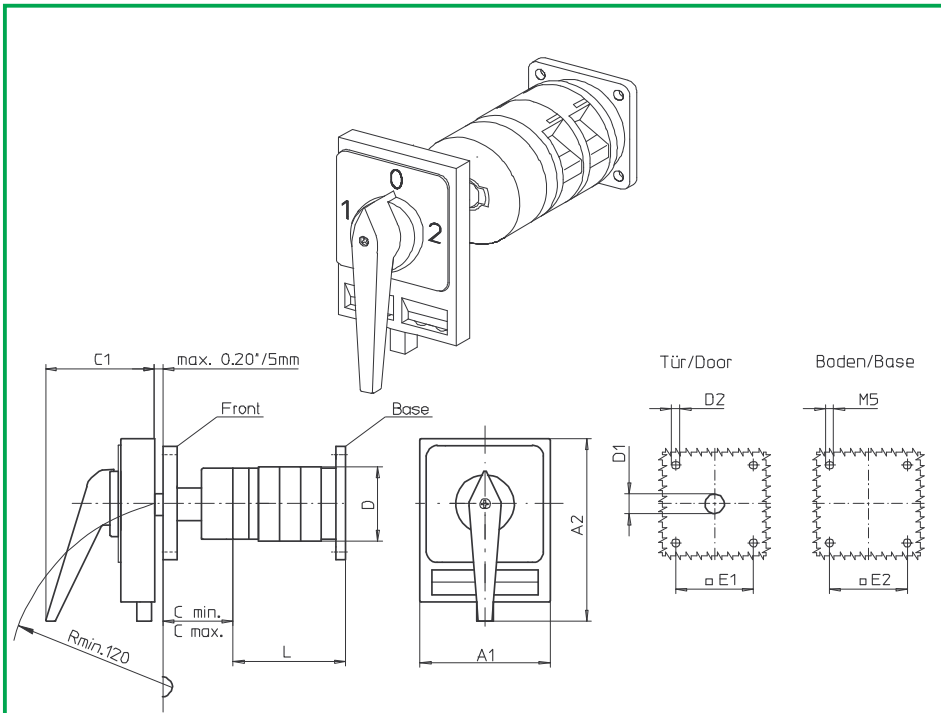
**H-padlock device  
98 x 142 mm**

**042H1 (IP55)**

Complete switch	Poles	Product lines	Rated data (IEC 60947)			Order code number							
			Operational current I <sub>e</sub>	Operational power at 380–440 V									
			AC-21A A	AC-23A kW	AC-3 kW								
Rotary Cam Switches Switching angle 90° padlockable 12h	1 ... 24	S600	80 100 160	45 55 75	30 37 45	<b>S606 - 61 ... - 042H1</b> <b>S608 - 61 ... - 042H1</b> <b>S612 - 61 ... - 042H1</b>							
<b>SMD modules for basic switch (A33)</b>													
Mounting form module for 042H1			S600			<b>BFA6 - 042</b>							
H-padlock device 98 x 142 mm, mounting form 042H1 Starting position of the handle 09h Escutcheon black, handle black						<b>6CH1-12</b>							
H-padlock device 98 x 142 mm, mounting form 042H1 Starting position of the handle 12h Escutcheon black, handle black						<b>6EH1-12</b>							
Legend plate silver, operator module 042H1						<b>FAS6 - .... (FA number)</b>							
<b>Dimensions (mm)</b>													
<b>Type</b>	<b>A1</b>	<b>A2</b>	<b>Cmin</b>	<b>Cmax</b>	<b>C1</b>	<b>D</b>	<b>D1</b>	<b>D2</b>	<b>E1</b>	<b>E2</b>	L with ... stages (max. 12) each add. stage		
S606	98	142	48	60	83	84	18	5,5	68	68	1	2	22
S608	98	142	48	60	83	88	18	5,5	68	68	58	80	26
S612	98	142	48	60	83	88	18	5,5	68	68	65	91	26
											71	103	32

# Base Mounting Switches

**sälzer**



**Product line  
S600**

**Base mounting switch**

**Door clutch with  
door interlock**

**Base mounting  
68 x 68 mm base**

**H-padlock device  
98 x 142 mm**

**043H1 (IP55)**

Complete switch	Poles	Product lines	Rated data (IEC 60947)			Order code number							
			Operational current I <sub>e</sub>	Operational power at 380–440 V									
			AC-21A A	AC-23A kW	AC-3 kW								
Rotary Cam Switches Switching angle 90° padlockable 09h/12h/03h/06h	1 ... 24	S600	80 100 160	45 55 75	30 37 45	<b>S606 - 61 ... - 043H1</b> <b>S608 - 61 ... - 043H1</b> <b>S612 - 61 ... - 043H1</b>							
<b>SMD modules for basic switch (A33)</b>													
Mounting form module for 043H1			S600			<b>BFA6 - 042</b>							
H-padlock device 98 x 142 mm, mounting form 043H1 Starting position of the handle 09h Escutcheon black, handle black						<b>6CH1-99</b>							
H-padlock device 98 x 142 mm, mounting form 043H1 Starting position of the handle 12h Escutcheon black, handle black						<b>6EH1-99</b>							
Legend plate silver, operator module 043H1						<b>FAS6 - .... (FA number)</b>							
<b>Dimensions (mm)</b>													
<b>Type</b>	<b>A1</b>	<b>A2</b>	<b>Cmin</b>	<b>Cmax</b>	<b>C1</b>	<b>D</b>	<b>D1</b>	<b>D2</b>	<b>E1</b>	<b>E2</b>	L with ... stages (max. 12) each add. stage		
S606	98	142	48	60	83	84	18	5,5	68	68	1	2	22
S608	98	142	48	60	83	88	18	5,5	68	68	58	80	26
S612	98	142	48	60	83	88	18	5,5	68	68	65	91	26
											71	103	32





### Faster deliveries through SMD

In order to ensure even greater flexibility for worldwide supply availability within 24h, Sälzer Electric has introduced the SMD (Sälzer Modular Design) system.

SMD modules are individually prefabricated and tested all-in-one modules which SMD Service holds in stock in sufficient quantities. From basic switch modules, mounting form modules and operator modules, SMD Service can assemble a complete switch requested by the customer and pack it ready for delivery in just a few actions.

– **back** –