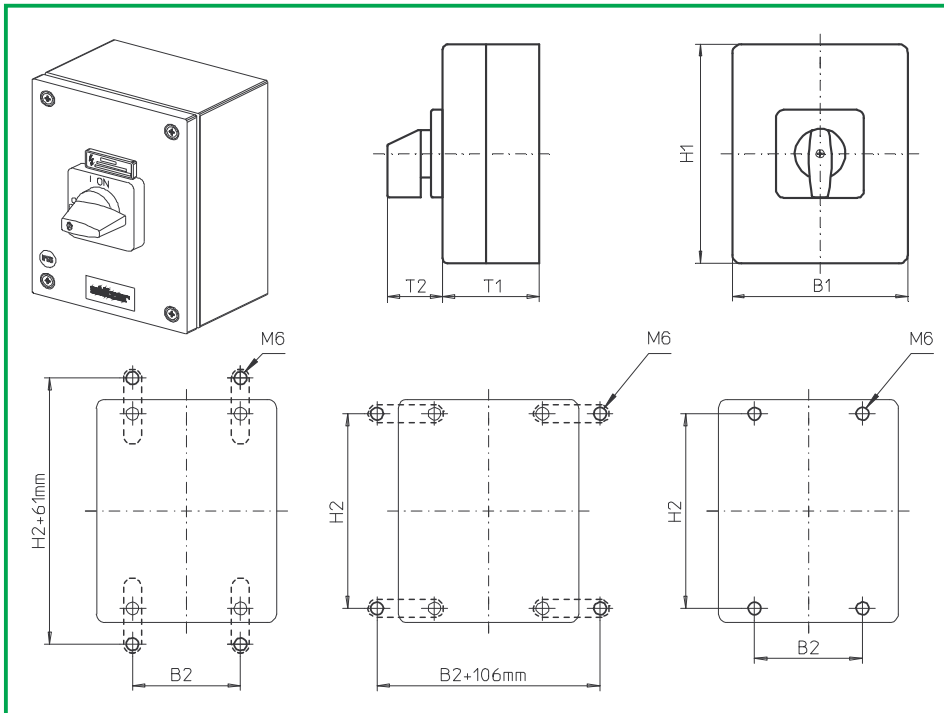


Enclosed Switches



**Product line
B200-A**

Enclosed switch

**Mild steel enclosure
powder coated**

200 x 150 x 120 mm

with cover interlock
in ON position

086M1 (IP66)

Complete switch	Poles	Product lines	Rated data (IEC 60947)			Order code number
			Operational current I _e	Operational power at 380–440 V		
			AC-21A A	AC-23A kW	AC-3 kW	
ON-OFF Switches Switching angle 90°	3 ... 4	B200-A	50 63	18,5 22	15 18,5	B250 - 41 ... - 086M1 B263 - 41 ... - 086M1
<p>Realisable switching programmes: 3-pole 41300, 41311, 41320 4-pole 41400, 41411 and 41420</p>						
<p>SMD modules for basic switch A02</p> <p>Mounting form module (switch module ED) B200-A BFD2 - ED</p> <p>Enclosure module, mounting form 086M1 SAB2 - 086M1</p> <p>Legend plate silver, enclosure module 086M1 FAS4 - 9... (FA number)</p> <p>Mounting brackets for enclosure modules SA (1 set) SAX1 (Please order separately – accessories see page D5-1)</p>						
Dimensions (mm)						
Product lines	H1	B1	T1	T2	H2	B2
B200-A	200	150	120	39	182	85