

# Base Mounting Switches

# sälzer

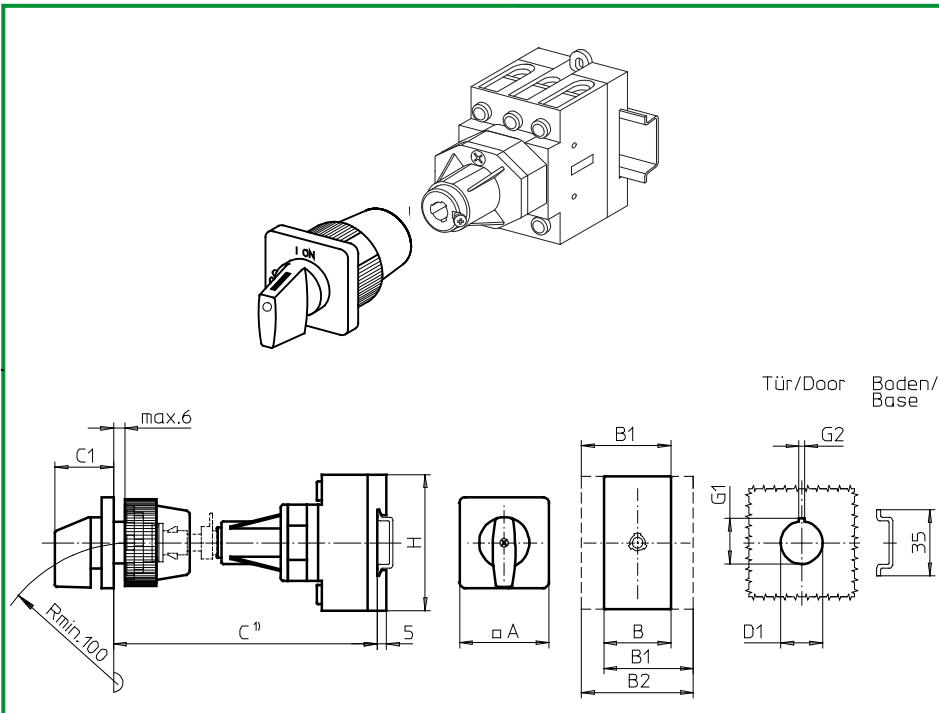
**Product lines**  
**H200-A/-B**

**Base mounting switch**

**Door interlock**  
Metal shaft extension  
With shaft retaining screw

**Single hole mounting**  
ø 22,5 mm front

**263M1 (IP66)**



Complete switch	Poles	Product lines	Rated data (IEC 60947)			Order code number
			Operational current I <sub>e</sub>	Operational power at 380–440V		
			AC-21A A	AC-23A kW	AC-3 kW	
ON-OFF Switches Switching angle 90°	3 ... 4	H200-A	20	5,5	3,7	<b>H216 - 41 ... - 263M1</b>
			25	7,5	5,5	<b>H220 - 41 ... - 263M1</b>
			32	11	7,5	<b>H226 - 41 ... - 263M1</b>
			40	15	11	<b>H233 - 41 ... - 263M1</b>
			63	22	18,5	<b>H263 - 41 ... - 263M1</b>
	3 ... 4	H200-B				

SMD modules for basic switch A02		
Mounting form module for 263M1	H200-A H200-B	<b>BFA2 - 261</b> <b>BFB2 - 261</b>
M-operator module 48 x 48 mm, mounting form 263M1 Escutcheon black, handle black	H200-A/-B	<b>2LM1</b>
Legend plate silver, operator module 263M1		<b>FAS2 - 9...</b> (FA number)

Dimensions (mm)									
Product lines	A	B	B1	B2	C1	D1	G1	G2	H
H200-A	48	36	48	60	32	22,5	24,2	3,2	70
H200-B	48	50	69	88	32	22,5	24,2	3,2	72

**C<sup>1)</sup> Internal depth, outside of door to top of DIN rail. Metal shaft is not included. Please order separately. See page B6-17.**