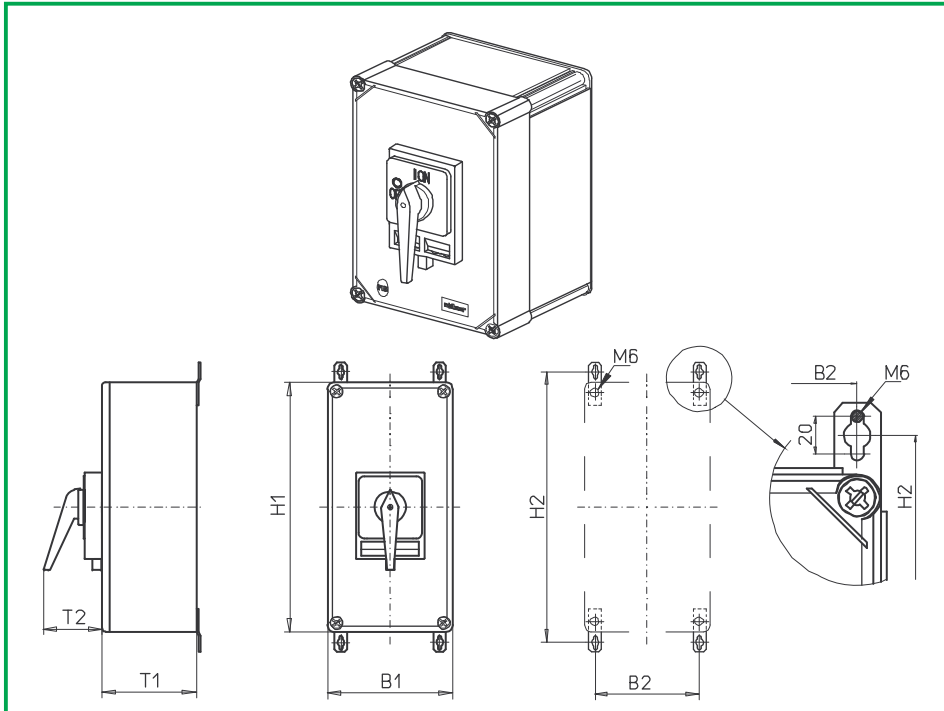


Enclosed Switches

sälzer



Product line
K616

Enclosed switches

Insulated enclosures
440 x 320 x 180 mm

With cover interlock
in ON position

Cable entries
Blank gland plates

077H1 (IP66)

077H4 (IP66)

Complete Switch	Poles	Product lines	Rated Data (IEC 60947)			Order Code Number
			Operational current I _e	Operational power at 380–440V		
			AC-21A A	AC-23A kW	AC-3 kW	
Main Switches Switching angle 90° OFF position padlockable 09h	3 ... 4	K616	160	75	45	K616 - 41 ... - 077H1
Main/Emergency-Off Switches Switching angle 90° OFF position padlockable 09h	3 ... 4	K616	160	75	45	K616 - 41 ... - 077H4
SMD modules for switch module						
Mounting form module			K616			K616- 41 ... - ED
Enclosure module, mounting form 077H1 H-padlock device black						PAK6-077H1
Enclosure module, mounting form 077H4 H-padlock device yellow/red						PAK6-077H4
Dimensions (mm)						
Product line	H1	H2	B1	B2	T1	T2
K616	440	480	320	293	180	83
Switching programmes						
Main Switches and	3-pole	41300				
Main/Emergency-Off Switches	4-pole	41400				