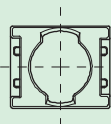
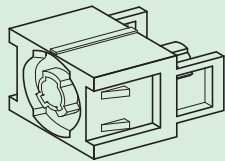
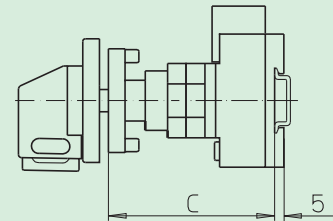
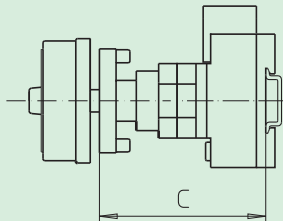


Modular shaft extensions for H200/B200/H400



AVC2- / AVC4-



Modular shaft extensions for mounting forms with door interlock

H200 / B200

3...4 pole Main/Emergency-Off Sw.
3...4 pole Main Switches
3...4 pole ON-OFF Switches

H200 / B200

6...8 pole Main/Emergency-Off Sw.
6...8 pole Main Switches
6...8 pole ON-OFF Switches
3...4 pole Changeover Switches

H400

3...4 pole Main/Emergency-Off Sw.
3...4 pole Main Switches
3...4 pole ON-OFF Switches

H400

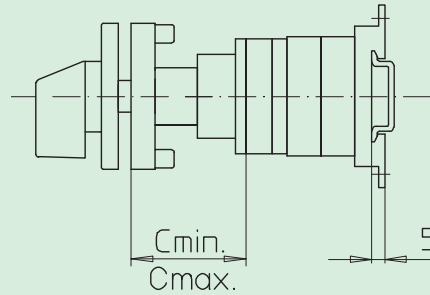
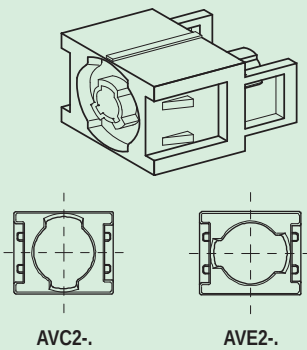
6...8 pole Main/Emergency-Off Sw.
6...8 pole Main Switches
6...8 pole ON-OFF Switches
3...4 pole Changeover Switches

Order code number	
for	for
H200	H400
B200	

Dimension C (internal depth: inside of door to top of DIN rail):

092 ... 107 mm	100 ... 115 mm	103 ... 117 mm	116 ... 130 mm	-	-
114 ... 132 mm	122 ... 140 mm	124 ... 142 mm	137 ... 155 mm	AVC2-1	AVC4-1
139 ... 157 mm	147 ... 165 mm	149 ... 167 mm	162 ... 180 mm	AVC2-2	AVC4-2
164 ... 182 mm	172 ... 190 mm	174 ... 192 mm	187 ... 205 mm	AVC2-3	AVC4-3
189 ... 207 mm	197 ... 215 mm	199 ... 217 mm	212 ... 230 mm	AVC2-4	AVC4-4

Modular shaft extensions for M200/T200



Modular shaft extensions for mounting forms with door interlock

C_{min}	C_{max}	number	Order code number for M200	Order code number for T200
42 mm	57 mm	–	–	–
64 mm	82 mm	1	AVC2-1	AVE2-1
89 mm	107 mm	1	AVC2-2	AVE2-2
114 mm	132 mm	1	AVC2-3	AVE2-3
139 mm	157 mm	1	AVC2-4	AVE2-4
164 mm	182 mm	1	AVC2-5	AVE2-5
189 mm	207 mm	1	AVC2-6	AVE2-6

Product lines	48 x 48 mm Base mounting	Base mounting Snap on mounting
M200, T200	034M1/ 034M4 034N1/ 034N4 034V1/ 034V4	234M1/ 234M4 234N1/ 234N4 234V1/ 234V4
	038M1/ 038M4 038N1/ 038N4 038V1/ 038V4	238M1/ 238M4 238N1/ 238N4 238V1/ 237V4
	042M1 042V1/ 043V1	242M1 242V1/ 243V1
	048M1 048V1/ 049V1	248M1 248V1/ 249V1
	135M1/ 135M4	235M1/ 235M4