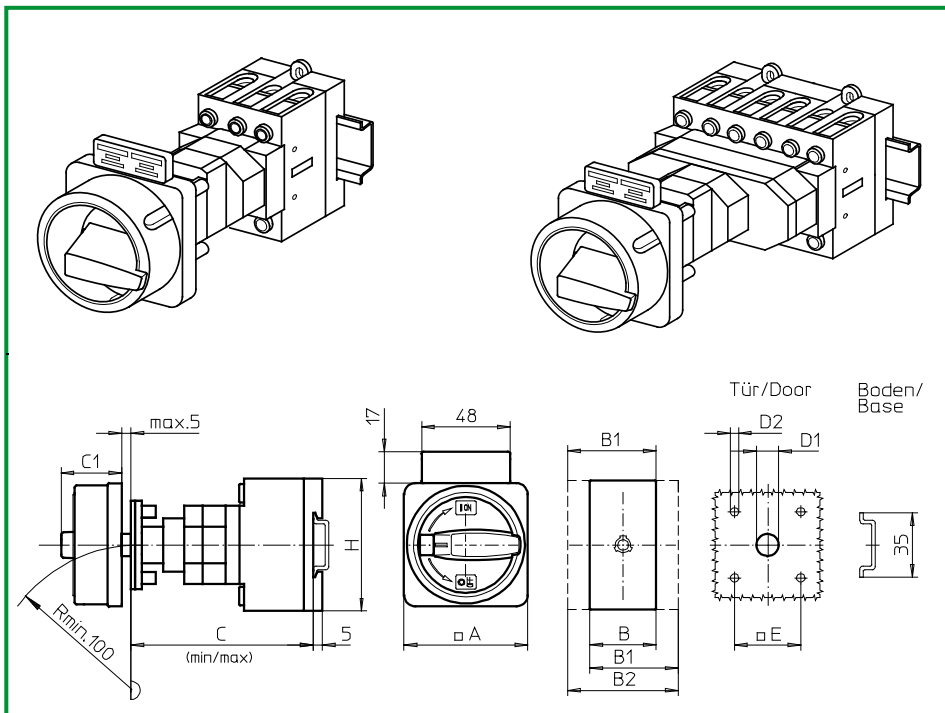


# Base Mounting Switches

**sälzer**



**Product lines  
H200-A/-B/-D**

**Base mounting switch**

**Door interlock**

Modular shaft extension

**Four hole mounting**

36 × 36 mm front

**234M1** (IP66)

**234M4** (IP66)

Complete switch	Poles	Product lines	Rated data (IEC 60947)			Order code number
			Operational current I <sub>e</sub>	Operational power at 380–440V		
			AC-21A A	AC-23A kW	AC-3 kW	
Main Switches OFF position padlockable 09h	3 ... 8	H200-A/-D	20	5,5	3,7	<b>H216 - 41 ... - 234M1</b>
			25	7,5	5,5	<b>H220 - 41 ... - 234M1</b>
			32	11	7,5	<b>H226 - 41 ... - 234M1</b>
			40	15	11	<b>H233 - 41 ... - 234M1</b>
			63	22	18,5	<b>H263 - 41 ... - 234M1</b>
Main/Emergency-Off Switches OFF position padlockable 09h	3 ... 8	H200-A/-D	20	5,5	3,7	<b>H216 - 41 ... - 234M4</b>
			25	7,5	5,5	<b>H220 - 41 ... - 234M4</b>
			32	11	7,5	<b>H226 - 41 ... - 234M4</b>
			40	15	11	<b>H233 - 41 ... - 234M4</b>
			63	22	18,5	<b>H263 - 41 ... - 234M4</b>
	3 ... 4	H200-B				

SMD modules for basic switch A02		
Mounting form module for 234M.	H200-A H200-B/-D	<b>BFA2 - 234</b> <b>BFB2 - 234</b>
M-padlock device 67 × 67 mm, mounting form 234M1 Escutcheon black, padlockable handle black	H200-A/-B/-D	<b>2CM1</b>
M-padlock device 67 × 67 mm, mounting form 234M4 Escutcheon yellow, padlockable handle red		<b>2CM4</b>
Additional top escutcheon plate		<b>FAZZ - 8041</b>

Dimensions (mm)											
Product lines	A	B	B1	B2	C <sub>min</sub>	C <sub>max</sub>	C1	D1	D2	E	H
H200-A	67	36	48	60	92	107	38	15	4,5	36	70
H200-B	67	50	69	88	92	107	38	15	4,5	36	72
H200-D	67	72	84	96	100	115	38	15	4,5	36	70

Modular shaft extensions see page B3-11.