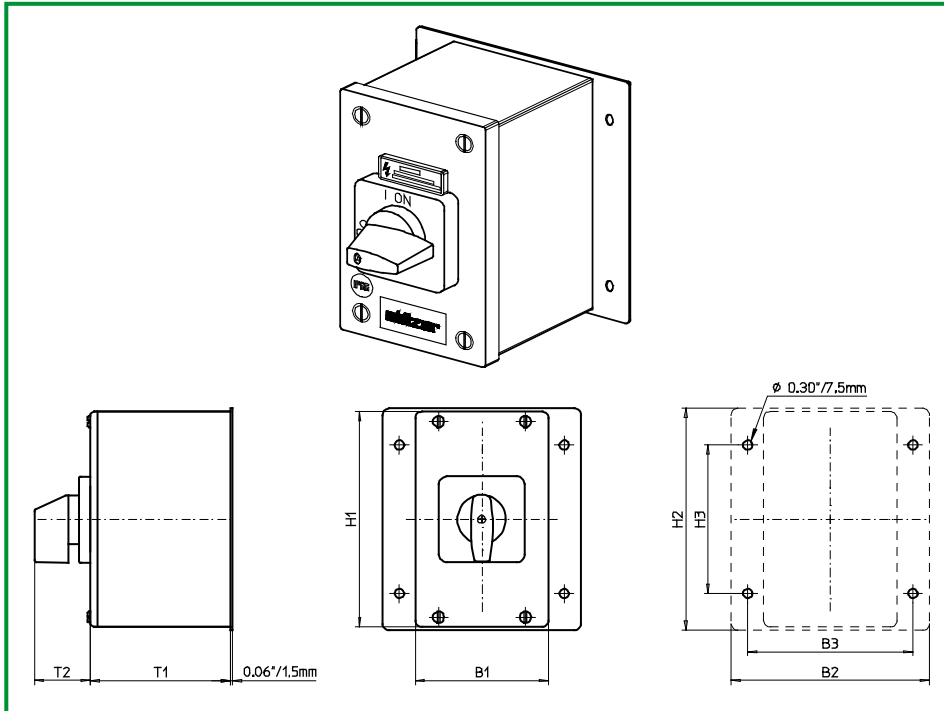


Enclosed Switches



**Product line
H200-A**

Enclosed switch

**Stainless steel
enclosure
polished**

160 × 100 × 105 mm

with cover interlock
in ON position

with PE connection link
without N connection link

090M1 (IP66)

Complete switch	Poles	Product lines	Rated data (IEC 60947)			Order code number
			Operational current I _e	Operational power at 380–440V		
			AC-21A A	AC-23A kW	AC-3 kW	
ON-OFF Switches Switching angle 90°	3 ... 4	H200-A	20	5,5	3,7	H216 - 4.... - 090M1
			25	7,5	5,5	H220 - 4.... - 090M1
			32	11	7,5	H226 - 4.... - 090M1

SMD modules for basic switch A02			
Mounting form module for 090M1		H200-A	BFA2 - E9
Enclosure module, mounting form 090M1			SBH2 - 090M1
Legend plate silver, enclosure module 090M1			FAS4 - 9... (FA number)

Dimensions (mm)								
Product line	H1	B1	T1	T2	H2	H3	B2	B3
H200-A	160	100	105	39	165	110	149	123,5