

Front Mounting Switches

sälzer

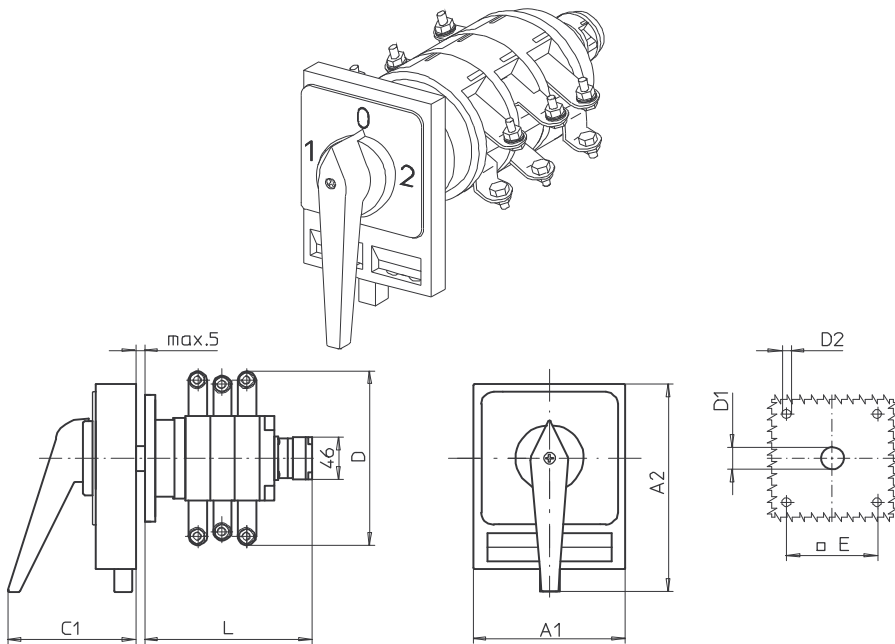
**Product line
K616**

Front mounting switch

Four hole mounting
68 x 68 mm

003H1 (IP55)

004H1 (IP55)



Complete Switch	Poles	Product lines	Rated Data (IEC 60947)			Order Code Number			
			Operational current I _e	Operational power at 380–440V					
			AC-21A A	AC-23A kW	AC-3 kW				
Changeover with OFF Switching angle 90° OFF position padlockable 12h	3 ... 4	K616	160	75	45	K616 - 71 ... - 003H1			
Changeover with OFF Switching angle 90° 3 positions padlockable (09h/12h/03h)	3 ... 4	K616	160	75	45	K616 - 71 ... - 004H1			
SMD modules for basic switch		(GA A01)							
Mounting form module for 003H1/ 004H1			K616			BFA6 - 003			
H-operator module 100 x 125 mm, mounting form 003H1 Padlock device black, H-handle black						6EH1 - 12			
H-operator module 100 x 125 mm, mounting form 004H1 Padlock device black, H-handle black						6EH1 - 99			
Legend plate silver, operator module 003H1/ 004H1						FAS6 - (FA number)			
Dimensions (mm)									
Product line	A1	A2	C1	D*	D1	D2	E	Switching programmes ¹⁾	L
K616	98	142	83	150	20	5,5	68	71300 71311, 71320 71400	136 184 168
* Terminal lugs included									
¹⁾ Examples, other switching programmes on request									