

Base Mounting Switches

sälzer

Product line
H200-E

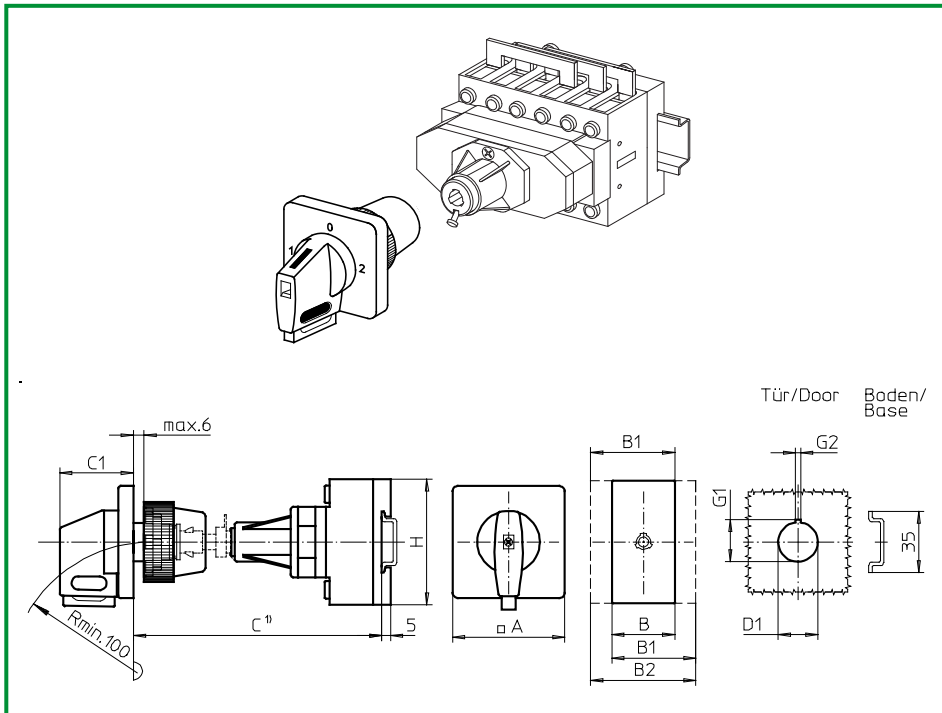
Base mounting switch
Operator module of next size

Door interlock
Metal shaft extension
With shaft retaining screw

Single hole mounting
ø 22,5 mm front

265V1 (IP66)

271V1 (IP66)



Complete switch	Poles	Product lines	Rated data (IEC 60947)			Order code number
			Operational current I _e	Operational power at 380–440V		
			AC-21A A	AC-23A kW	AC-3 kW	
Changeover with OFF Switching angle 90° OFF position padlockable 12h	3 ... 4	H200-E	20	5,5	3,7	H216 - 71 ... - 265V1
			25	7,5	5,5	H220 - 71 ... - 265V1
			32	11	7,5	H226 - 71 ... - 265V1
			40	15	11	H233 - 11 ... - 265V1
Changeover with OFF Switching angle 90° 3 positions padlockable (09h/12h/03h)	3 ... 4	H200-E	20	5,5	3,7	H216 - 71 ... - 271V1
			25	7,5	5,5	H220 - 71 ... - 271V1
			32	11	7,5	H226 - 71 ... - 271V1
			40	15	11	H233 - 71 ... - 271V1

SMD modules for basic switch A02

Mounting form module for 265V1/271V1

H200-E

BFC2 - 261

V-operator module 64 × 64 mm, mounting form 265V1
Escutcheon black, handle black

2IV1 - 12

V-operator module 64 × 64 mm, mounting form 271V1
Escutcheon black, handle black

2IV1 - 99

Legend plate silver, operator modules 265V1/271V1

FAS4 - 9... (FA number)

Dimensions (mm)

Product line	A	B	B1	B2	C1	D1	G1	G2	H
H200-E	64	72	84	96	39	22,5	24,2	3,2	70

C¹) Internal depth, outside of door to top of DIN rail. Metal shaft is not included. Please order separately. See page B6-17.