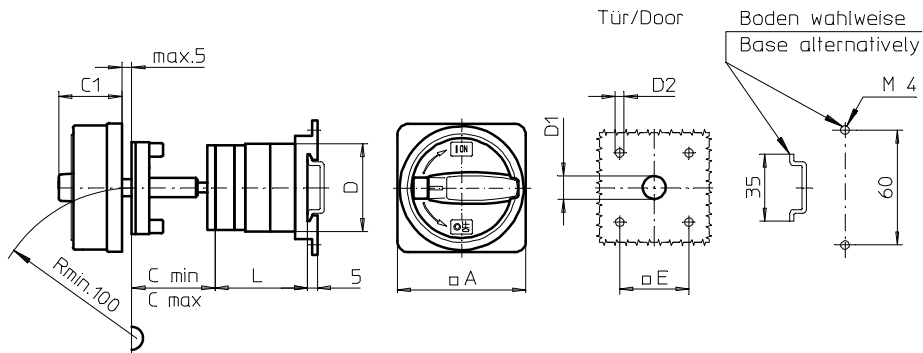
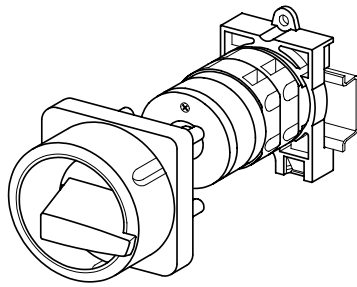


Base Mounting Switches

sälzer



Product lines
M200 / T200

Base mounting switch

Door clutch

Modular shaft extension

Four hole mounting

36 x 36 mm front

Snap on mounting base plate

232M1 (IP66)

232M4 (IP66)

Complete switch	Poles	Product line	Rated data (IEC 60947)			Order code number
			Operational current I _e	Operational power at 380–440 V		
			AC-21A A	AC-23A kW	AC-3 kW	
Main Switches	1 ... 24	M200	20	7,5	5,5	M220 - 61 ... - 232M1
Switching angle 90°			25	11	7,5	M225 - 61 ... - 232M1
OFF position padlockable 09h	1 ... 24	T200	32	15	11	T225 - 61 ... - 232M1
Main/Emergency-Off Switches	1 ... 24	M200	20	7,5	5,5	M220 - 61 ... - 232M4
Switching angle 90°			25	11	7,5	M225 - 61 ... - 232M4
OFF position padlockable 09h	1 ... 24	T200	32	15	11	T225 - 61 ... - 232M4

SMD modules for basic switch

Mounting form module for 232M.

M200 / T200

BFC2 - 232

M-padlock device 67 x 67 mm, mounting form 232M1
Escutcheon black, padlockable handle black

2CM1

M-padlock device 67 x 67 mm, mounting form 232M4
Escutcheon yellow, padlockable handle red

2CM4

Dimensions (mm)

Product lines	A	C _{min}	C _{max}	C1	D	D1	D2	E	L with ... stages (max. 12)				each add. stage
									1	2	3	4	
M220	67	42	59	38	46	15	4,5	36	37	47	57	67	10
M221	67	42	59	38	46	15	4,5	36	40	53	66	79	13
M225	67	42	59	38	48	15	4,5	36	40	53	66	79	13
T225	67	42	59	38	50	15	4,5	36	42	57	72	87	15