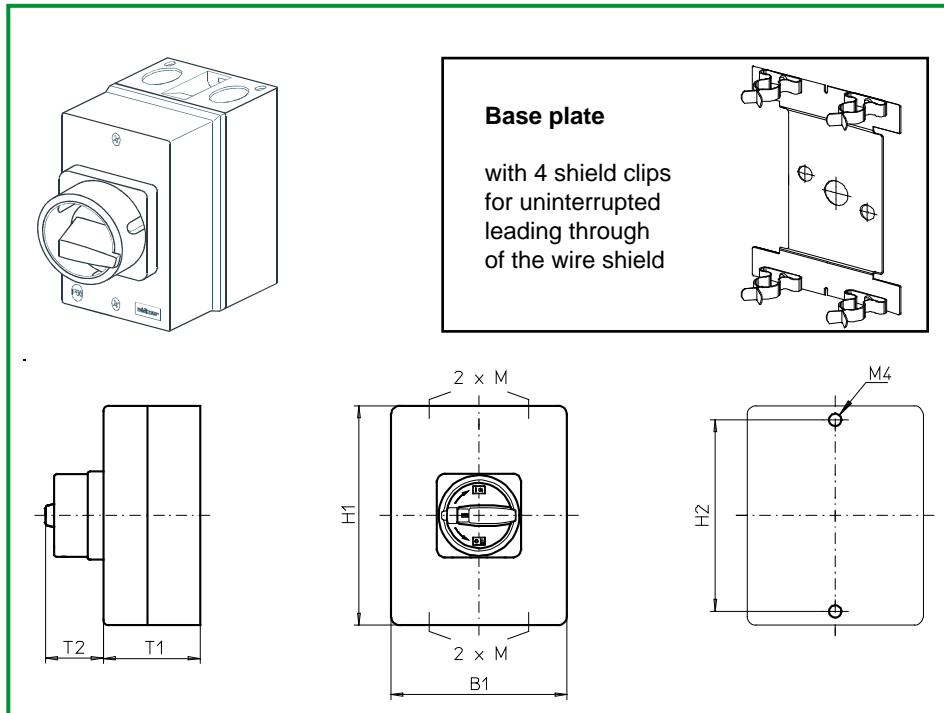


Enclosed Switches



Product lines H200-A/-B

Insulated enclosure 175 x 115 x 100 mm

with cover interlock
in ON position

with N/PE connection link

Uninterrupted leading
through of the wire shield

Cable entries

4 x M20/M25

4 x SKL Shield clip
for shield diameter 12–16 mm

715M1 (IP66)

715M4 (IP66)

Complete switch	Poles	Product lines	Rated data (IEC 60947)			Order code number
			Operational current I_e	Operational power at 380–440V		
			AC-21A A	AC-23A kW	AC-3 kW	
Main Switches OFF position padlockable 09h	3 ... 4	H200-A	20	5,5	3,7	H216 - 41 ... - 715M1
			25	7,5	5,5	H220 - 41 ... - 715M1
			32	11	7,5	H226 - 41 ... - 715M1
			40	15	11	H233 - 41 ... - 715M1
			63	22	18,5	H263 - 41 ... - 715M1
Main/Emergency-Off Switches OFF position padlockable 09h	3 ... 4	H200-A	20	5,5	3,7	H216 - 41 ... - 715M4
			25	7,5	5,5	H220 - 41 ... - 715M4
			32	11	7,5	H226 - 41 ... - 715M4
			40	15	11	H233 - 41 ... - 715M4
			63	22	18,5	H263 - 41 ... - 715M4
3 ... 4	H200-B					

SMD modules for basic switch A02		
Mounting form module for 715M1/715M4	H200-A	BFA2 - E7
Mounting form module for 715M1/715M4	H200-B	BFB2 - E7
Enclosure module, mounting form 715M1	H200-A/-B	PAH2 - 715M1
Enclosure module, mounting form 715M4	H200-A/-B	PAH2 - 715M4

Dimensions (mm)						
Product lines	H1	B1	T1	T2	2xM	H2
H200-A	175	115	100	38	20/25	165
H200-B	175	115	100	38	20/25	165