

# Base Mounting Switches

**sälzer**

**Product line  
H200-E**

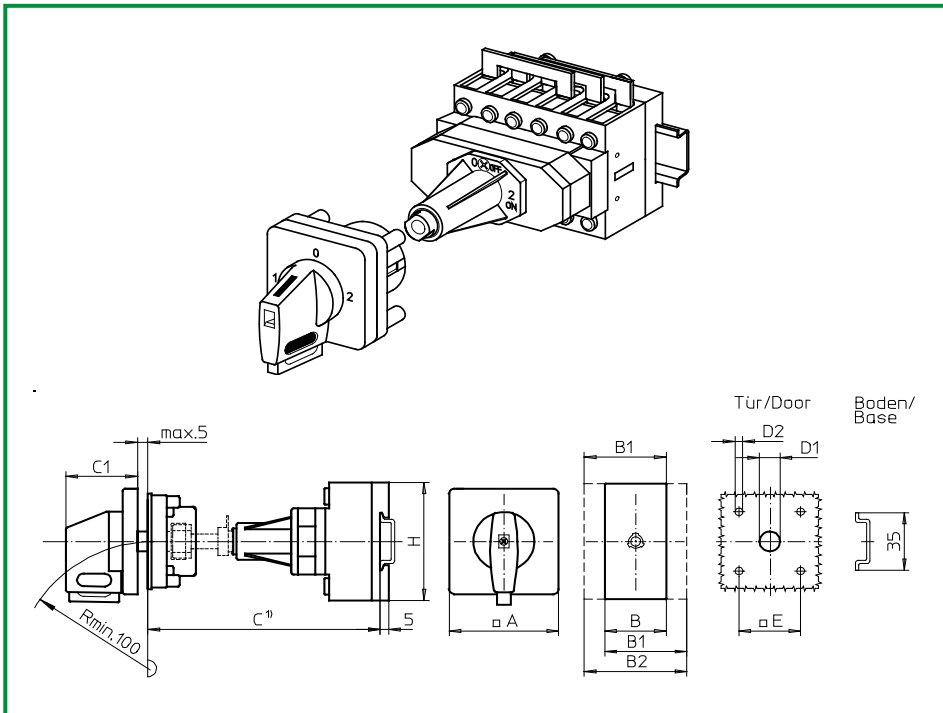
**Base mounting switch**  
Operator module of next size

**Door interlock**  
Metal shaft extension  
With shaft retaining bush

**Four hole mounting**  
48 × 48 mm front

**482V1 (IP66)**

**449V1 (IP66)**



Complete switch	Poles	Product lines	Rated data (IEC 60947)			Order code number
			Operational current I <sub>e</sub>	Operational power at 380–440V		
			AC-21A A	AC-23A kW	AC-3 kW	
Changeover with OFF Switching angle 90° OFF position padlockable 12h	3 ... 4	H200-E	20	5,5	3,7	<b>H216 - 71 ... - 482V1</b>
			25	7,5	5,5	<b>H220 - 71 ... - 482V1</b>
			32	11	7,5	<b>H226 - 71 ... - 482V1</b>
			40	22	18,5	<b>H233 - 11 ... - 482V1</b>
Changeover with OFF Switching angle 90° 3 positions padlockable (09h/12h/03h)	3 ... 4	H200-E	20	5,5	3,7	<b>H216 - 71 ... - 449V1</b>
			25	7,5	5,5	<b>H220 - 71 ... - 449V1</b>
			32	11	7,5	<b>H226 - 71 ... - 449V1</b>
			40	22	18,5	<b>H233 - 71 ... - 449V1</b>

## SMD modules for basic switch A02

Mounting form module for 482V1/449V1

H200-E

**BFC2 - 482**

V-operator module 64 × 64 mm, mounting form 482V1  
Escutcheon black, handle black

**4AV1 - 12**

V-operator module 64 × 64 mm, mounting form 449V1  
Escutcheon black, handle black

**4AV1 - 99**

Legend plate silver, operator modules 482V1/449V1

**FAS4 - 9...** (FA number)

## Dimensions (mm)

Product line	A	B	B1	B2	C1	D1	D2	E	H
H200-E	64	72	84	96	39	15	5	48	70

C<sup>1</sup>) Internal depth, inside of door to top of DIN rail. Metal shaft is not included. Please order separately. See page B9-21.