

# Enclosed Switches

**sälzer**

**Product line D200**

**Enclosed switches**

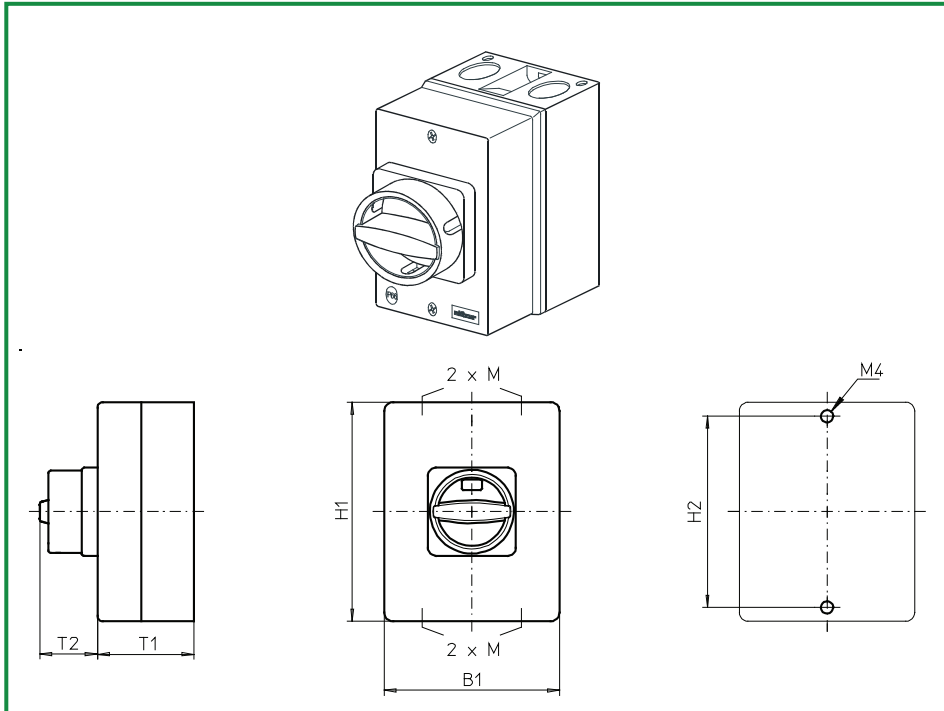
**Insulated enclosures**

125 × 100 × 85 mm

With cover interlock  
in ON position

**Cable entries**  
4 × M20/M25

**700N1/N4**  
(IP66)



**Complete switch**  
Order code number

**Terminal capacities**  
solid multiwire  
min max min max

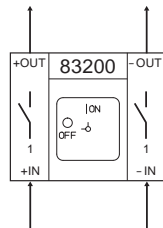
**Voltage range DC21-B**

250V 450V 650V 800V 1000V

**Standard arc reduction system**

D211-83200-700N1/N4	1,00	10,00	0,75	6,00	20A	16A	10A
D221-83200-700N1/N4	1,00	10,00	0,75	6,00		32A	20A
D222-83200-700N1/N4	4,00	16,00	2,50	10,00	50A	40A	32A

**1 string**



**SMD modules for basic switch modules A04**

Mounting form module for 700N1/N4	D200	BFC2 - E7
Enclosure module, mounting form 700N1/N4	D200	PAH2 - 700N1/N4/DC

**Dimensions (mm)**

Product line	H1	B1	T1	T2	2xM	H2
D200-DC – 1 string	125	100	85	33	20/25	115