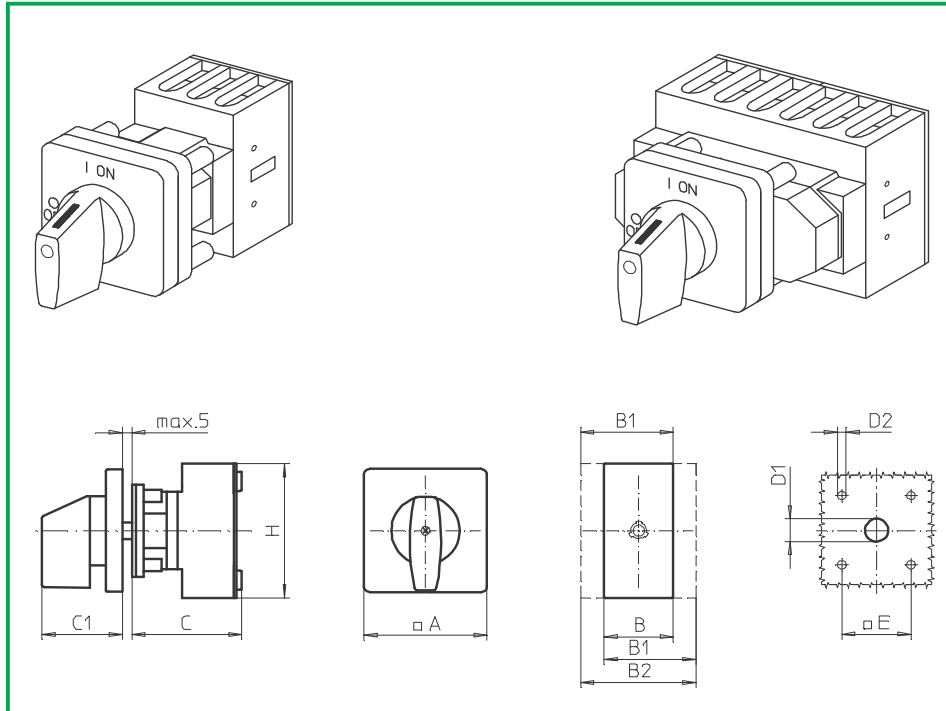


Front Mounting Switches

sälzer



**Product lines
B200-A/ -D/ -E**

Front mounting switch
Operator module of next size

Four hole mounting
48 x 48 mm

013M1 (IP66)

Complete switch	Poles	Product lines	Rated data (IEC 60947)			Order code number
			Operational current I_e	Operational power at 380–440 V		
			AC-21A A	AC-23A kW	AC-3 kW	
ON-OFF Switches Switching angle 90°	3 ... 8	B200-A/ -D	50 63	18,5 22	15 18,5	B250 - 41 ... - 013M1 B263 - 41 ... - 013M1
Changeover with OFF Switching angle 90°	3 ... 4	B200-E	50 63	18,5 22	15 18,5	B250 - 71 ... - 013M1 B263 - 71 ... - 013M1

SMD modules for basic switch A01		
Mounting form module for 013M1	B200-A/ -D/ -E	BFB2 - 013
M-operator module 64 x 64 mm, mounting form 013M1 Escutcheon black, handle black		4AM1
Legend plate silver, operator module 013M1		FAS4 - 9... (FA number)

Dimensions (mm)										
Product lines	A	B	B1	B2	C	C1	D1	D2	E	H
B200-A	64	50	69	88	58	39	15	5	48	72
B200-D	64	100	119	138	70	39	15	5	48	72
B200-E	64	100	119	138	70	39	15	5	48	72