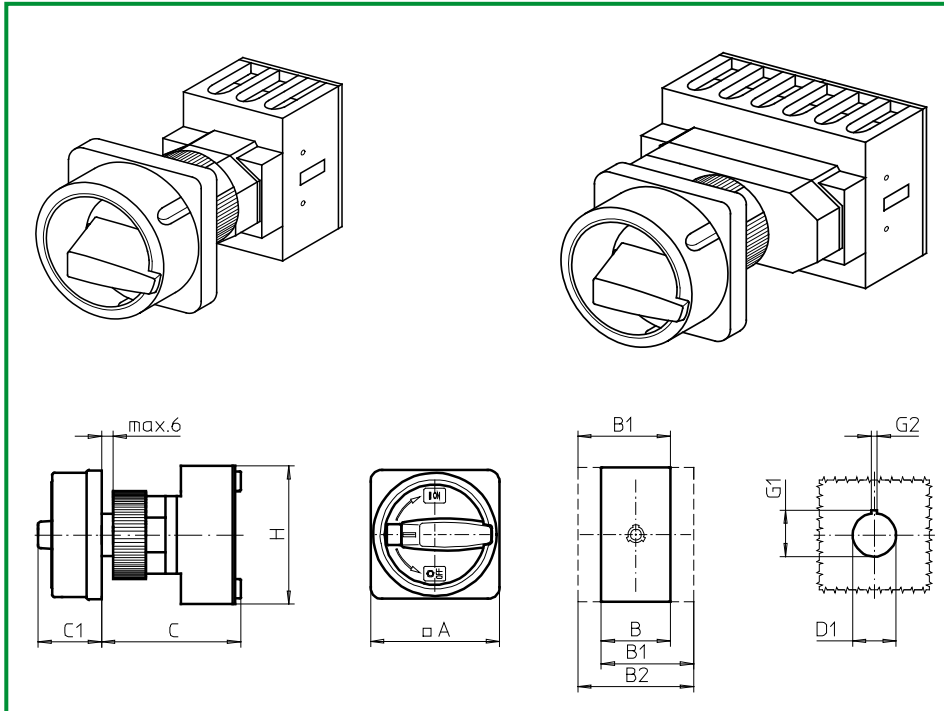


# Front Mounting Switches

**sälzer**



**Product lines  
H200-A/-B/-C/-D**

**Front mounting switch**

**Single hole mounting  
ø 22,5 mm**

**206M1 (IP66)**

**206M4 (IP66)**

Complete switch	Poles	Product lines	Rated data (IEC 60947)			Order code number
			Operational current I <sub>e</sub>	Operational power at 380–440V		
			AC-21A A	AC-23A kW	AC-3 kW	
Main Switches OFF position padlockable 09h	3 ... 4	H200-C	20	5,5	3,7	<b>H212 - 41 ... - 206M1</b>
	3 ... 8	H200-A/-D	20	5,5	3,7	<b>H216 - 41 ... - 206M1</b>
			25	7,5	5,5	<b>H220 - 41 ... - 206M1</b>
			32	11	7,5	<b>H226 - 41 ... - 206M1</b>
			40	15	11	<b>H233 - 41 ... - 206M1</b>
3 ... 4	H200-B	63	18,5	15	<b>H263 - 41 ... - 206M1</b>	
Main/Emergency-Off Switches OFF position padlockable 09h	3 ... 4	H200-C	20	5,5	3,7	<b>H212 - 41 ... - 206M4</b>
	3 ... 8	H200-A/-D	20	5,5	3,7	<b>H216 - 41 ... - 206M4</b>
			25	7,5	5,5	<b>H220 - 41 ... - 206M4</b>
			32	11	7,5	<b>H226 - 41 ... - 206M4</b>
			40	15	11	<b>H233 - 41 ... - 206M4</b>
3 ... 4	H200-B	63	18,5	15	<b>H263 - 41 ... - 206M4</b>	

### SMD modules for basic switch A01

Mounting form module for 206M.

H200-A  
H200-B/-C/-D

**BFA2 - 219**  
**BFB2 - 219**

M-padlock device 67 × 67 mm, mounting form 206M1  
Escutcheon black, padlockable handle black

H200-A/-B/-C/-D

**2FM1**

M-padlock device 67 × 67 mm, mounting form 206M4  
Escutcheon yellow, padlockable handle red

**2FM4**

### Dimensions (mm)

Product lines	A	B	B1	B2	C	C1	D1	G1	G2	H
H200-A	67	36	48	60	75	38	22,5	24,2	3,2	70
H200-B	67	50	69	88	75	38	22,5	24,2	3,2	72
H200-C	67	45	-	-	70	38	22,5	24,2	3,2	50
H200-D	67	72	84	96	83	38	22,5	24,2	3,2	70