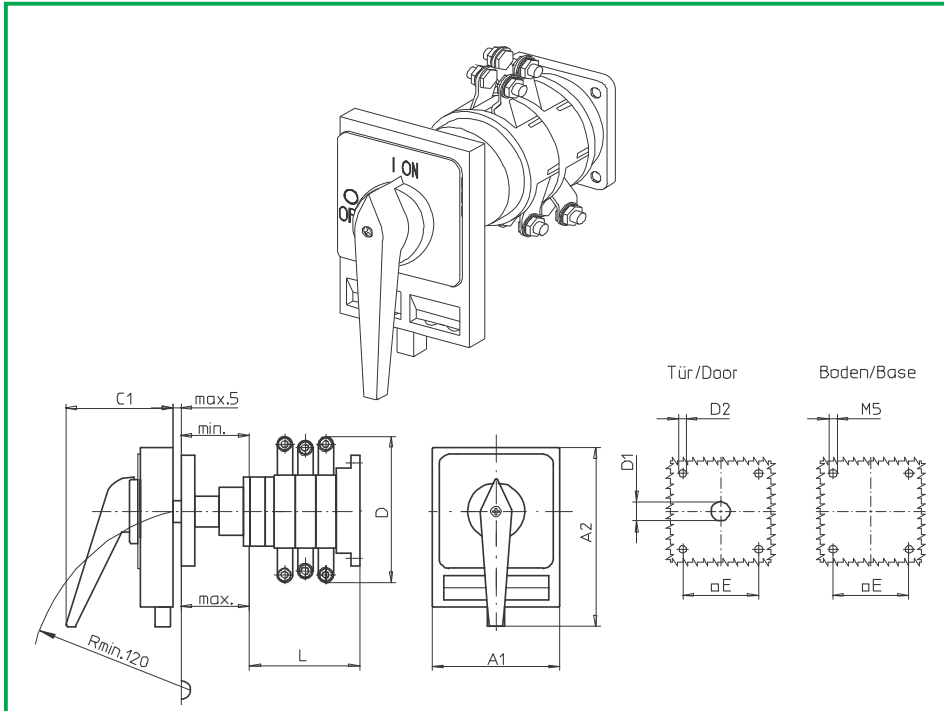


Base Mounting Switches



Product line
K616

Base mounting switch

Door interlock

Four hole mounting
 68 x 68 mm base
 68 x 68 mm front

034H1 (IP55)
034H4 (IP55)

Complete Switch	Poles	Product lines	Rated Data (IEC 60947)			Order Code Number
			Operational current I _e	Operational power at 380–440V		
			AC-21A A	AC-23A kW	AC-3 kW	
Main Switches Switching angle 90° OFF position padlockable 09h	3 ... 8	K616	160	75	45	K616 - 41 ... - 034H1
Main/Emergency-Off Switches Switching angle 90° OFF position padlockable 09h	3 ... 8	K616	160	75	45	K616 - 41 ... - 034H4

SMD modules for basic switch	(GA A12)		
Mounting form module for 034H.		K616	BFA6 - 042
H-operator module 100 x 125 mm, mounting form 034H1 padlock device black, padlockable handle black			6CH1-09
H-operator module 100 x 125 mm, mounting form 034H4 padlock device black, padlockable handle red			6CH4-09
Legend plate silver, operator module 034H1			FAS6 - (FA number)
Legend plate yellow, operator module 034H4			FBS6 - (FA number)

Dimensions (mm)													
Type	A1	A2	C1	D*	D1	D2	E	min.	max	L with ... stages			
										1	2	3	4
K616	98	142	83	150	15	5,5	68	48	60	72	104	136	168
Switching programmes 41300, 41400, 41600, 41800													

* terminal lugs included