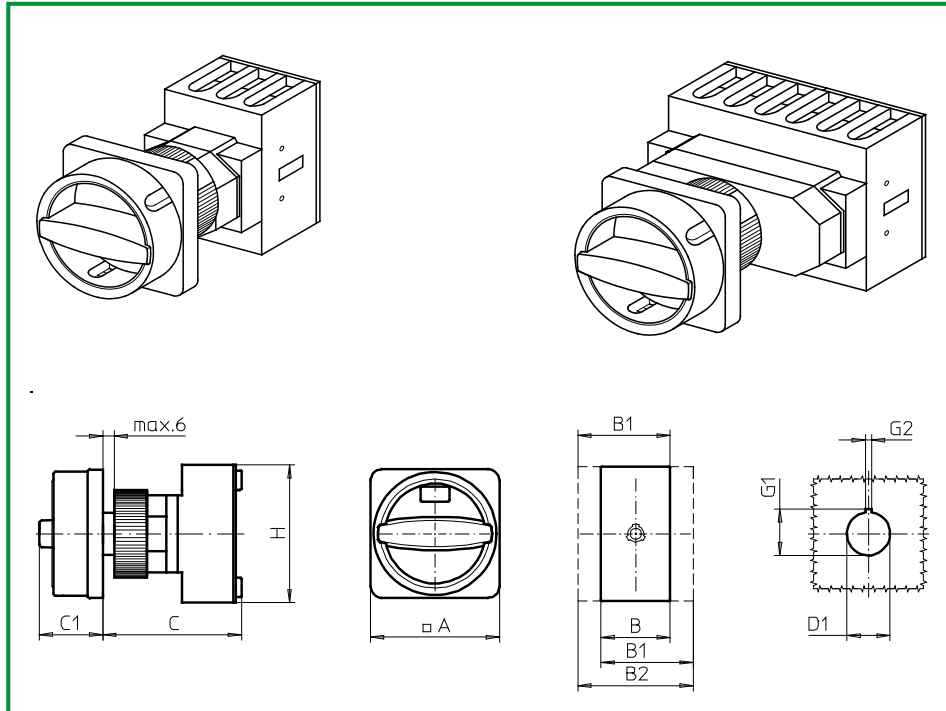


Front Mounting Switches

sälzer



**Product lines
H200-A/-B/-C/-D**

Front mounting switch

**Single hole mounting
ø 22,5 mm**

**206N1 (IP66)
206N4 (IP66)**

Complete switch	Poles	Product lines	Rated data (IEC 60947)			Order code number				
			Operational current I _e	Operational power at 380–440V						
			AC-21A A	AC-23A kW	AC-3 kW					
Main Switches OFF position padlockable 12h	3 ... 4	H200-C	20	5,5	3,7	H212 - 41 ... - 206N1				
	3 ... 8	H200-A/-D	20	5,5	3,7	H216 - 41 ... - 206N1				
			25	7,5	5,5	H220 - 41 ... - 206N1				
			32	11	7,5	H226 - 41 ... - 206N1				
			40	15	11	H233 - 41 ... - 206N1				
	3 ... 4	H200-B	63	18,5	15	H263 - 41 ... - 206N1				
Main/Emergency-Off Switches OFF position padlockable 12h	3 ... 4	H200-C	20	5,5	3,7	H212 - 41 ... - 206N4				
	3 ... 8	H200-A/-D	20	5,5	3,7	H216 - 41 ... - 206N4				
			25	7,5	5,5	H220 - 41 ... - 206N4				
			32	11	7,5	H226 - 41 ... - 206N4				
			40	15	11	H233 - 41 ... - 206N4				
	3 ... 4	H200-B	63	18,5	15	H263 - 41 ... - 206N4				
SMD modules for basic switch A01										
Mounting form module for 206N.			H200-A H200-B/-C/-D			BFA2 - 219 BFB2 - 219				
N-padlock device 67 × 67 mm, mounting form 206N1 Escutcheon black, padlockable handle black			H200-A/-B/-C/-D			2FN1				
N-padlock device 67 × 67 mm, mounting form 206N4 Escutcheon yellow, padlockable handle red						2FN4				
Dimensions (mm)										
Product lines	A	B	B1	B2	C	C1	D1	G1	G2	H
H200-A	67	36	48	60	75	33	22,5	24,2	3,2	70
H200-B	67	50	69	88	75	33	22,5	24,2	3,2	72
H200-C	67	45	-	-	70	33	22,5	24,2	3,2	45
H200-D	67	72	84	96	83	33	22,5	24,2	3,2	70