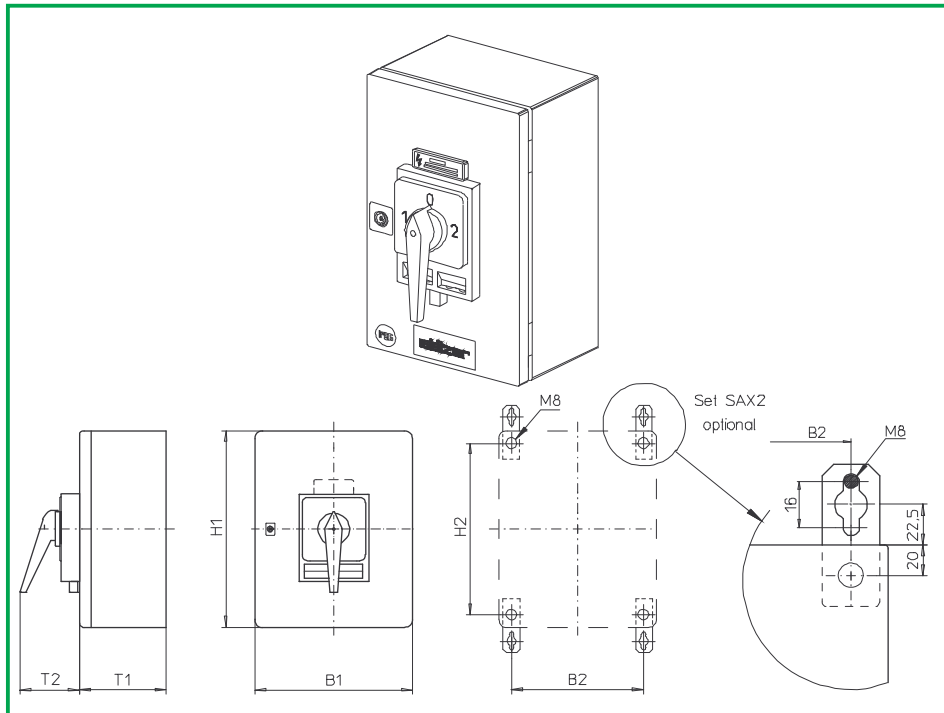


# Enclosed Switches



**Product line  
H400-E**

**Mild steel enclosure  
including door**  
large connection room  
400 x 300 x 155 mm

With cover interlock  
in ON position

**Cable entries**  
Gland plate at the bottom

**183H1 (IP66)**

Complete switch	Poles	Product line	Rated data (IEC 60947)			Order code number
			Operational current $I_e$	Operational power at 380–440 V		
			AC-21A A	AC-23A kW	AC-3 kW	
Changeover with OFF Switching angle 90° OFF position padlockable 12h	3 ... 4	H400-E	63	22	18,5	<b>H406 - 71 ... - 183H1</b>
			80	30	22	<b>H408 - 71 ... - 183H1</b>
			100	37	30	<b>H410 - 71 ... - 183H1</b>
			125	45	37	<b>H412 - 71 ... - 183H1</b>
<b>SMD modules for basic switch A02</b>						
Mounting form module (switch module E8)			H400-E			<b>BFA4 - E8</b>
Enclosure module, mounting form 183H1						<b>SAH4 - 183H1</b>
Legend plate silver, enclosure module 183H1						<b>FAS6 - 9 ... (FA number)</b>
<b>Mounting brackets</b> for enclosure modules (Please order separately)						<b>SAX2</b>
<b>Dimensions (mm)</b>						
<b>Product lines</b>	<b>H1</b>	<b>B1</b>	<b>T1</b>	<b>T2</b>	<b>H2</b>	<b>B2</b>
H400-E	400	300	155	45	360	260