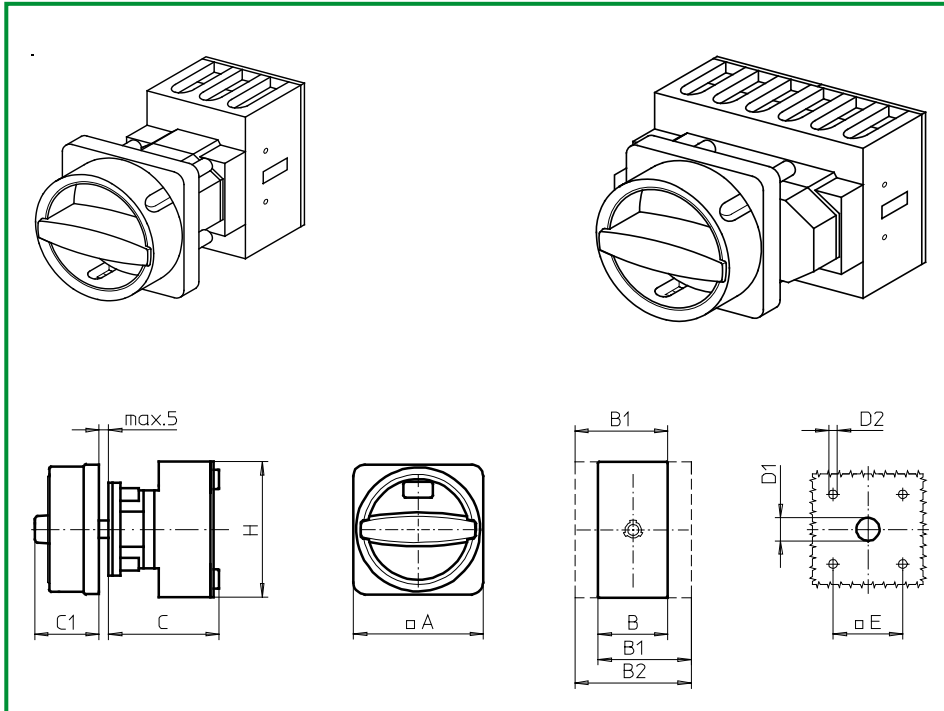


# Front Mounting Switches

**sälzer**



**Product lines  
H200-A/-B/-C/-D**

**Front mounting switch**

**Four hole mounting**

36 × 36 mm

**033N1 (IP66)**

**033N4 (IP66)**

Complete switch	Poles	Product line	Rated data (IEC 60947)			Order code number
			Operational current I <sub>e</sub>	Operational power at 380–440V		
			AC-21A A	AC-23A kW	AC-3 kW	
Main Switches OFF position padlockable 12h	3 ... 4	H200-C	20	5,5	3,7	<b>H212 - 41 ... - 033N1</b>
	3 ... 8	H200-A/-D	20	5,5	3,7	<b>H216 - 41 ... - 033N1</b>
			25	7,5	5,5	<b>H220 - 41 ... - 033N1</b>
			32	11	7,5	<b>H226 - 41 ... - 033N1</b>
			40	15	11	<b>H233 - 41 ... - 033N1</b>
3 ... 4	H200-B	63	22	18,5	<b>H263 - 41 ... - 033N1</b>	
Main/Emergency-Off Switches OFF position padlockable 12h	3 ... 4	H200-C	20	5,5	3,7	<b>H212 - 41 ... - 033N4</b>
	3 ... 8	H200-A/-D	20	5,5	3,7	<b>H216 - 41 ... - 033N4</b>
			25	7,5	5,5	<b>H220 - 41 ... - 033N4</b>
			32	11	7,5	<b>H226 - 41 ... - 033N4</b>
			40	15	11	<b>H233 - 41 ... - 033N4</b>
3 ... 4	H200-B	63	22	18,5	<b>H263 - 41 ... - 033N4</b>	

### SMD modules for basic switch A02

Mounting form module for 033N.

H200-A  
H200-B/-C/-D  
H200-A/-B/-C/-D

**BFA2 - 033**  
**BFB2 - 033**

N-padlock device 67 × 67 mm, mounting form 033N1  
Escutcheon black, padlockable handle black

**2CN1**

N-padlock device 67 × 67 mm, mounting form 033N4  
Escutcheon yellow, padlockable handle red

**2CN4**

### Dimensions (mm)

Product lines	A	B	B1	B2	C	C1	D1	D2	E	H
H200-A	67	36	48	60	58	33	15	4,5	36	70
H200-B	67	50	69	88	58	33	15	4,5	36	72
H200-C	67	45	-	-	50	33	15	4,5	36	45
H200-D	67	72	84	96	66	33	15	4,5	36	70