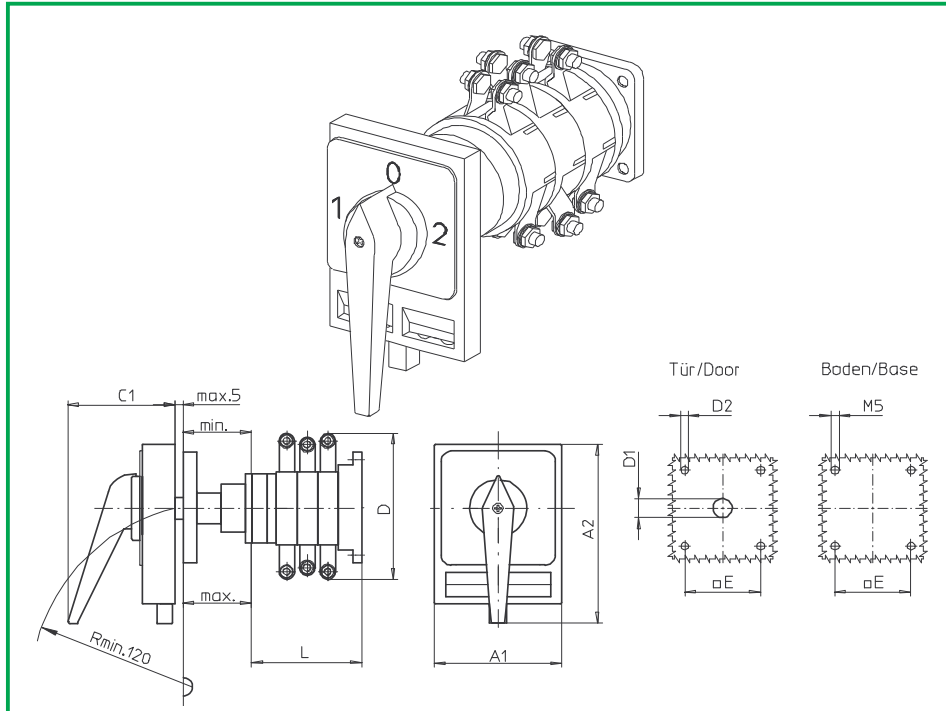


Base Mounting Switches



**Product line
K616**

Base mounting switch

Door interlock

Four hole mounting

68 x 68 mm base
68 x 68 mm front

042H1 (IP55)

043H1 (IP55)

Complete Switch	Poles	Product lines	Rated Data (IEC 60947)			Order Code Number
			Operational current I _e	Operational power at 380–440V		
			AC-21A A	AC-23A kW	AC-3 kW	
Changeover with OFF Switching angle 90° OFF position padlockable 12h	3 ... 4	K616	160	75	45	K616 - 71 ... - 042H1
Changeover with OFF Switching angle 90° 3 positions padlockable (09h/12h/03h)	3 ... 4	K616	160	75	45	K616 - 71 ... - 043H1

SMD modules for basic switch	(GA A02)		
Mounting form module for 042H1/ 043H1		K616	BFA6 - 042
H-operator module 100 x 125 mm, mounting form 042H1 padlock device black, H-handle black			6EH1 - 12
H-operator module 100 x 125 mm, mounting form 043H1 padlock device black, H-handle black			6EH1 - 99
Legend plate silver, operator module 042H1/ 043H1			FAS6 - (FA number)

Dimensions (mm)													
Type	A1	A2	C1	D*	D1	D2	E	min.	max	L with ... stages			
										1	2	3	4
K616	98	142	83	150	15	5,5	68	48	60	72	104	136	168
Switching programmes 71300, 71400													

* terminal lugs included