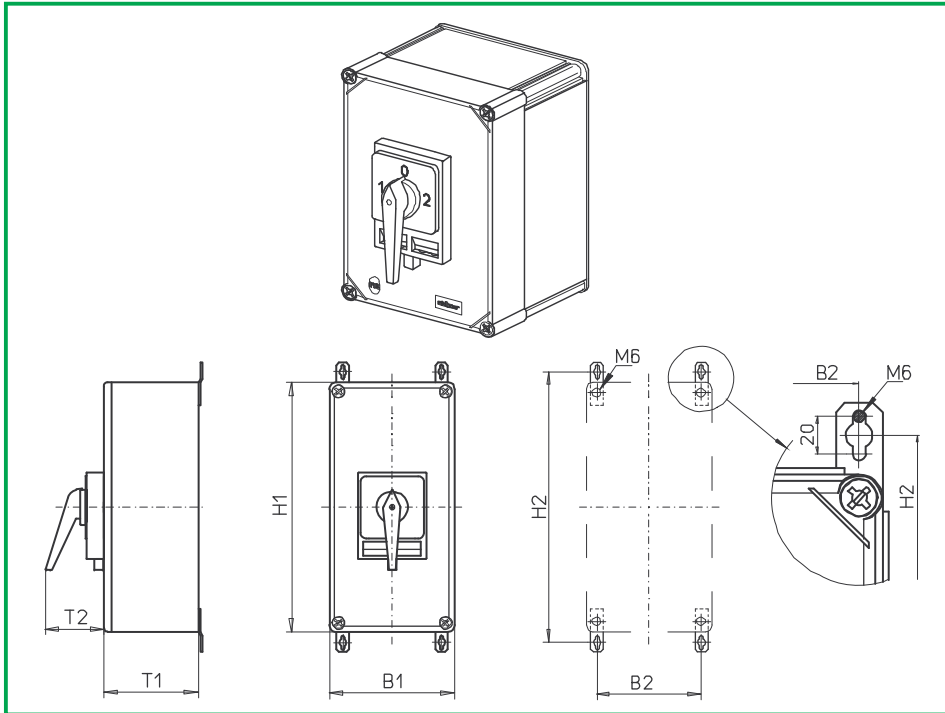


Enclosed Switches



Product line
K830

Enclosed Switches

Insulated enclosures
640 x 320 x 330 mm

With cover interlock
in position 1 and 2

Cable entries
Blank gland plates

176H1 (IP66)

Complete Switch	Poles	Product lines	Rated Data (IEC 60947)			Order Code Number
			Operational current I _e	Operational power at 380–440V		
			AC-21A A	AC-23A kW	AC-3 kW	
Changeover with OFF Switching angle 90° OFF position padlockable 12h	3 ... 4	K830	315	132	55	K830 - 71 ... - 176H1
SMD modules for switch module						
Mounting form module			K830			K830 - 71 ... - ED
Enclosure module, mounting form 176H1 H-padlock device black						PAK8 - 176H1
Dimensions (mm)						
Product line	H1	H2	B1	B2	T1	T2
K830	640	680	320	293	330	93
Switching programmes						
71300, 71311, 71322 71400	Changeover with OFF					